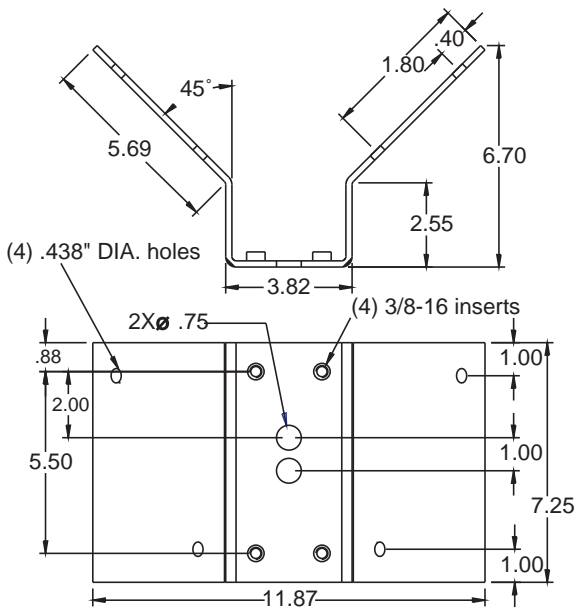
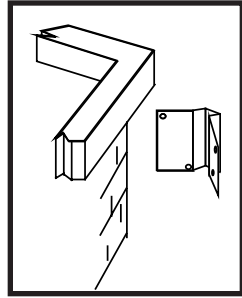


# Corner Adapter JK-CMA



## DESCRIPTION:

Constructed of aluminum, the JK-CMA is a corner adapter designed to work with Toshiba's JK-PHI, JK-PHO housings in conjunction with the JK-WM wall mount.

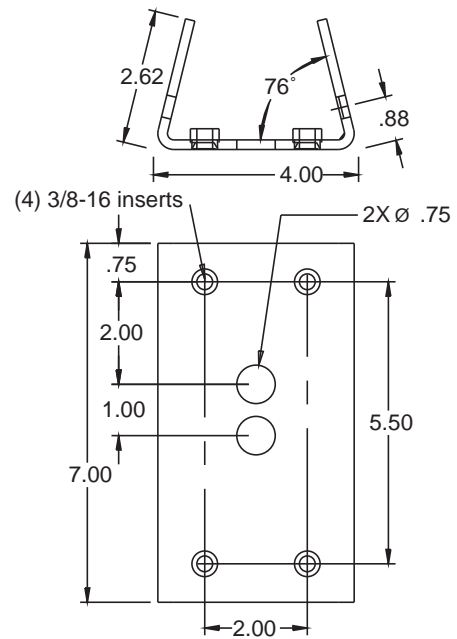
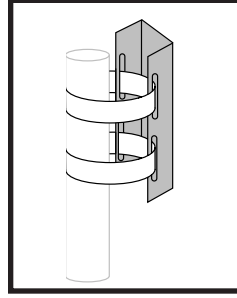
## FEATURES:

- Durable powder coat finish
- All aluminum construction
- Threaded bolt inserts to make installation easier and quicker
- 75 lb load rating

Model	Unit Weight	Shipping Weight	Shipping Box Dim.
ACA2	Call manufacturer for details		
* Shipping weights depend on box dimensions.			

# Pole Mount Adapter JK-PMA

# TOSHIBA



## DESCRIPTION

THE JK-PMA is an aluminum pole bracket which allows Toshiba's dome housings to be mounted to an existing pole. Use with the JK-PHI and JK-PHO housings with the JK-WM wall mount bracket.

## FEATURES

- Mounts to poles 3" - 15" dia.
- Durable powder coat finish
- All aluminum construction
- Threaded bolt inserts to make installation quicker and easier
- 75 lb load rating

Model	Unit Weight	Shipping Weight	Shipping Box Dim.
APM3	Call manufacturer for details		
* Shipping weights depend on box dimensions.			