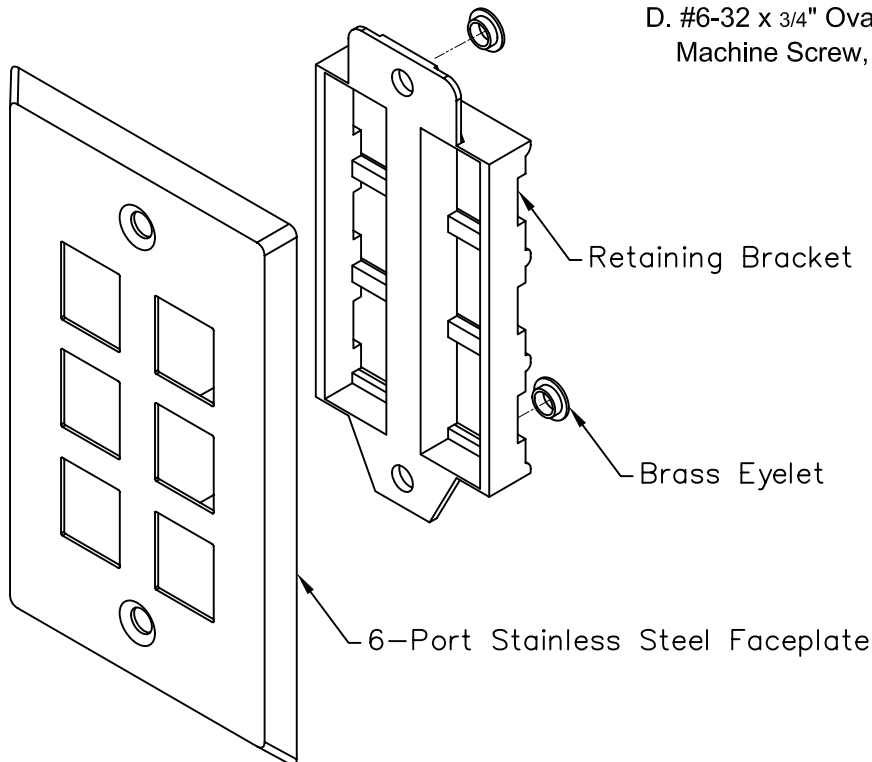


# 6-Port Single Gang Stainless Steel Faceplate

## PRODUCT SPECIFICATION

### Package includes:

- A. 6-Port Single Gang Stainless Steel Faceplate, 1 pc
- B. Retaining Bracket, 1 pc
- C. Brass Eyelet, 2 pcs
- D. #6-32 x 3/4" Oval Head, Countersink Machine Screw, 2 pcs



### Features and Benefits:

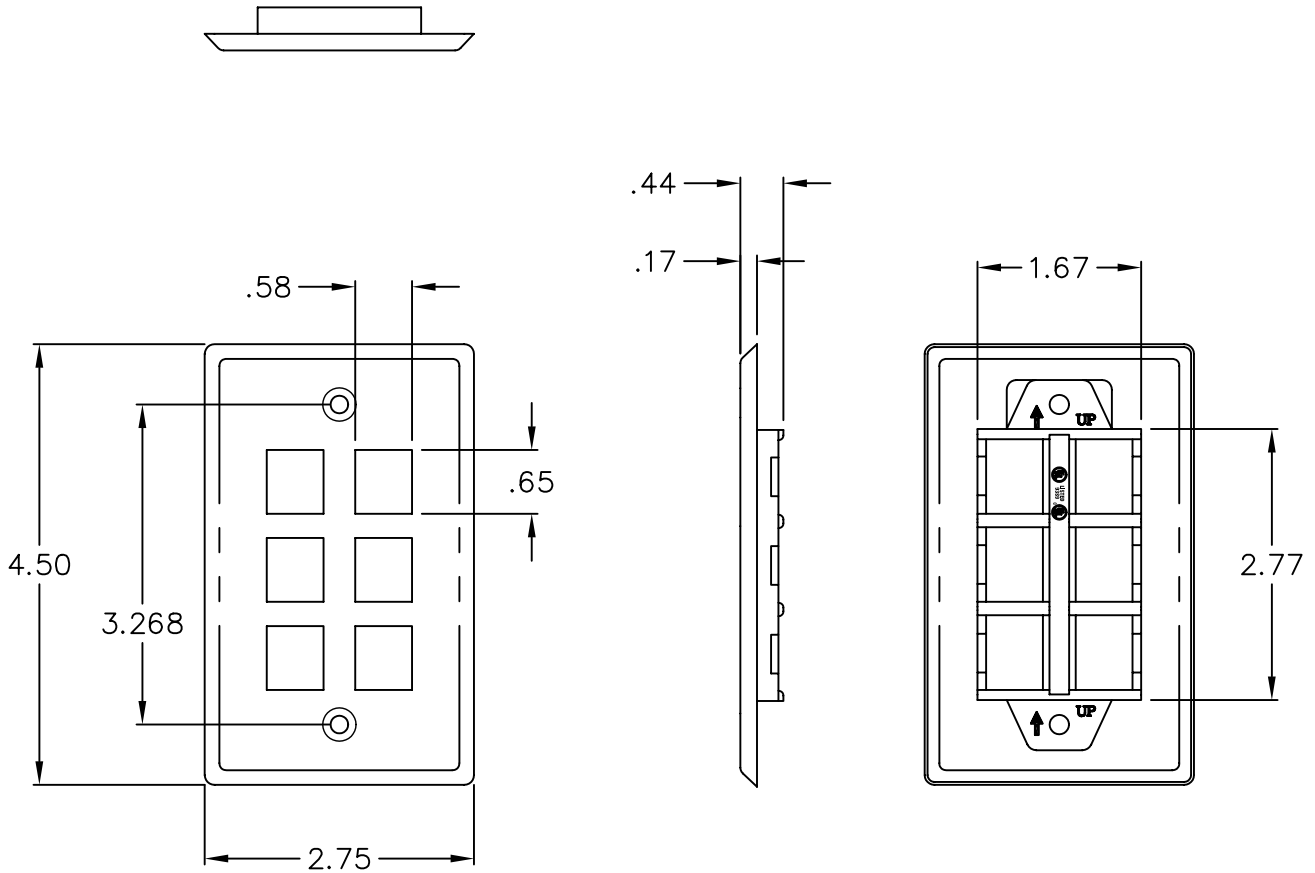
- Configured to fit standard single gang outlet box
- Designed to support the distribution of voice, data, and other communication needs to the work area for commercial or residential applications
- Offers a flush face surface
- Accommodates a wide variety of easy to snap-in modules, providing configuration flexibility
- Accepts all IC107 modules
- UL listed

### FACEPLATE, STAINLESS STEEL, 1-GANG, 6-PORT

|          |            |          |   |
|----------|------------|----------|---|
| ITEM NO. | IC107SF6SS | REV.     | B |
| DWG NO.  | PS107SF6SS | PAGE NO. | 1 |



CUSTOMER CARE / TECHNICAL SUPPORT \* CSR@ICC.COM / 888-ASK-4-ICC (275-4422) \* 14700 Alondra Blvd., La Mirada, CA 90638 \* www.icc.com



**NOTE: UNLESS OTHERWISE SPECIFIED**

1. MATERIAL:

- A. FACEPLATE: 22 GA STAINLESS STEEL
- B. RETAINING BRACKET: ABS, UL 94V-0

UL US FILE NO. 125268

**FACEPLATE, STAINLESS STEEL, 1-GANG, 6-PORT**

|          |            |          |   |
|----------|------------|----------|---|
| ITEM NO. | IC107SF6SS | REV.     | B |
| DWG NO.  | PS107SF6SS | PAGE NO. | 2 |



CUSTOMER CARE / TECHNICAL SUPPORT \* CSR@ICC.COM / 888-ASK-4-ICC (275-4422) \* 14700 Alondra Blvd., La Mirada, CA 90638 \* www.icc.com