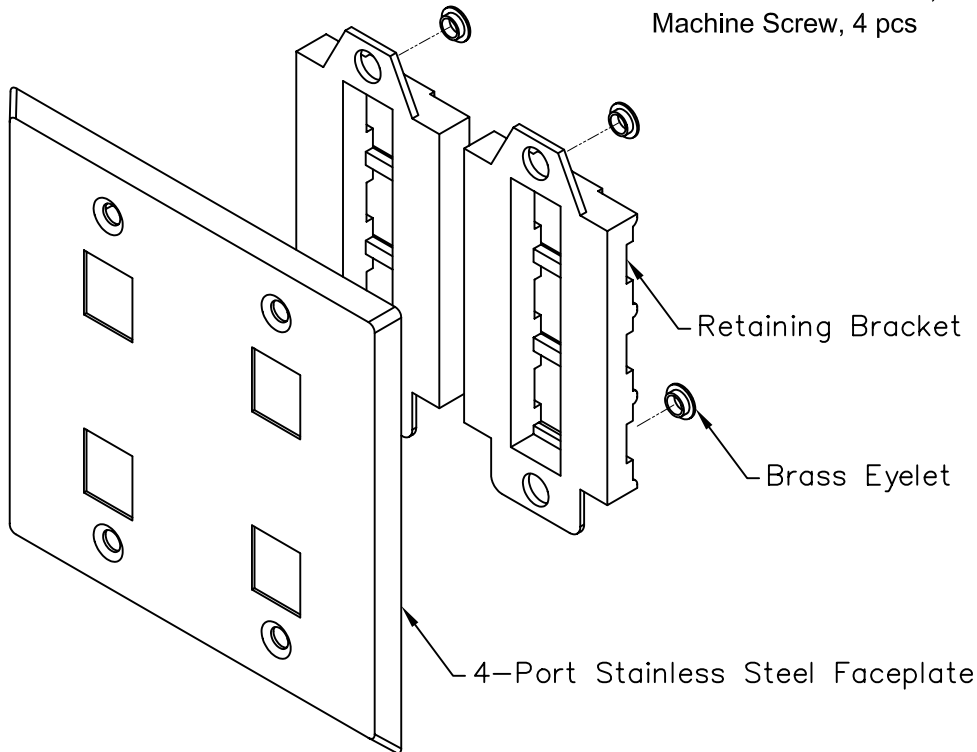


# 4-Port Double Gang Stainless Steel Faceplate

## PRODUCT SPECIFICATION

### Package includes:

- A. 4-Port Double Gang Stainless Steel Faceplate, 1 pc
- B. Retaining Bracket, 2 pc
- C. Brass Eyelet, 4 pcs
- D. #6-32 x 3/4" Oval Head, Countersink Machine Screw, 4 pcs



### Features and Benefits:

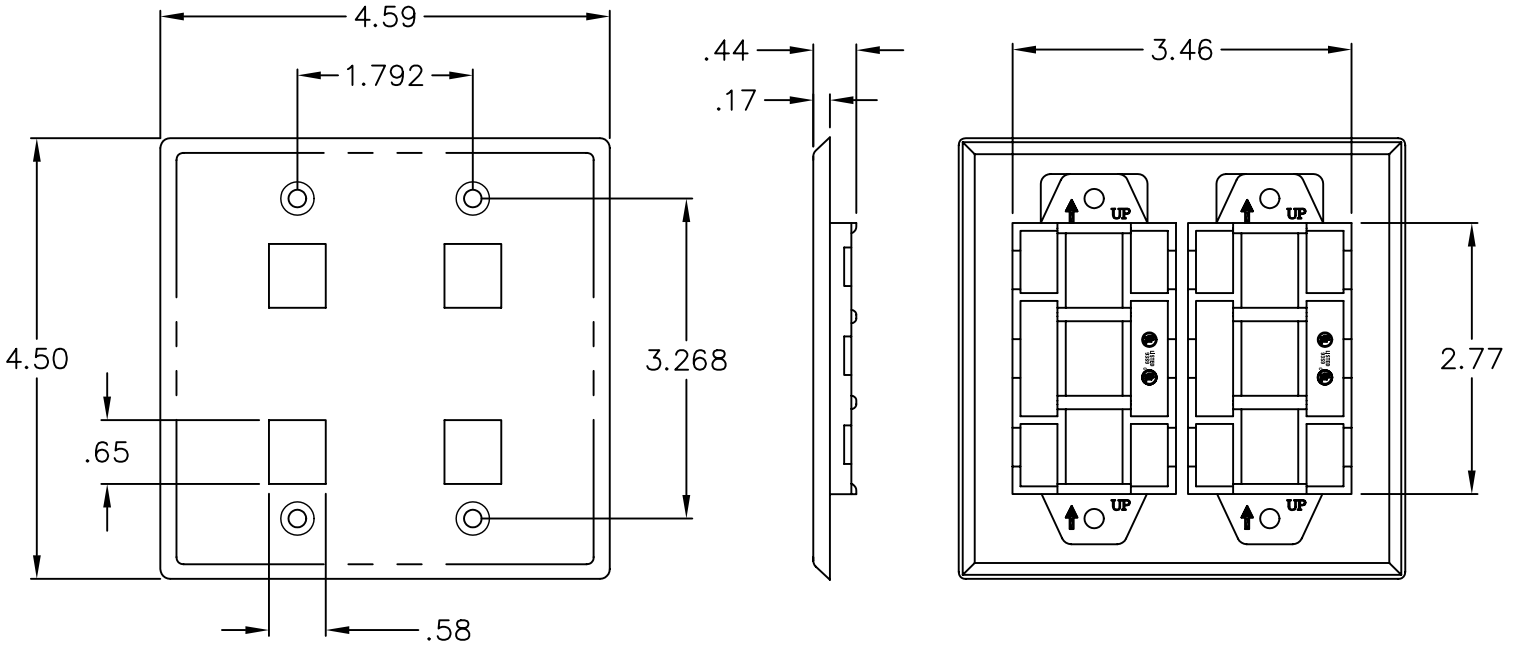
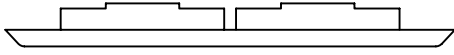
- Configured to fit standard double gang outlet box
- Designed to support the distribution of voice, data, and other communication needs to the work area for commercial or residential applications
- Offers a flush face surface
- Accommodates a wide variety of easy to snap-in modules, providing configuration flexibility
- Accepts all IC107 modules
- UL listed

### FACEPLATE, STAINLESS STEEL, 2-GANG, 4-PORT

ITEM NO.	IC107DF4SS	REV.	B
DWG NO.	PS107DF4SS	PAGE NO.	1



CUSTOMER CARE / TECHNICAL SUPPORT \* CSR@ICC.COM / 888-ASK-4ICC (275-4422) \* 14700 Alondra Blvd., La Mirada, CA 90638 \* www.icc.com



**NOTE: UNLESS OTHERWISE SPECIFIED**

1. MATERIAL:

- A. FACEPLATE: 22 GA STAINLESS STEEL
- B. RETAINING BRACKET: ABS, UL 94V-0

UL US FILE NO. 125268

**FACEPLATE, STAINLESS STEEL, 2-GANG, 4-PORT**

ITEM NO.	IC107DF4SS	REV.	B
DWG NO.	PS107DF4SS	PAGE NO.	2



CUSTOMER CARE / TECHNICAL SUPPORT \* CSR@ICC.COM / 888-ASK-4ICC (275-4422) \* 14700 Alondra Blvd., La Mirada, CA 90638 \* www.icc.com