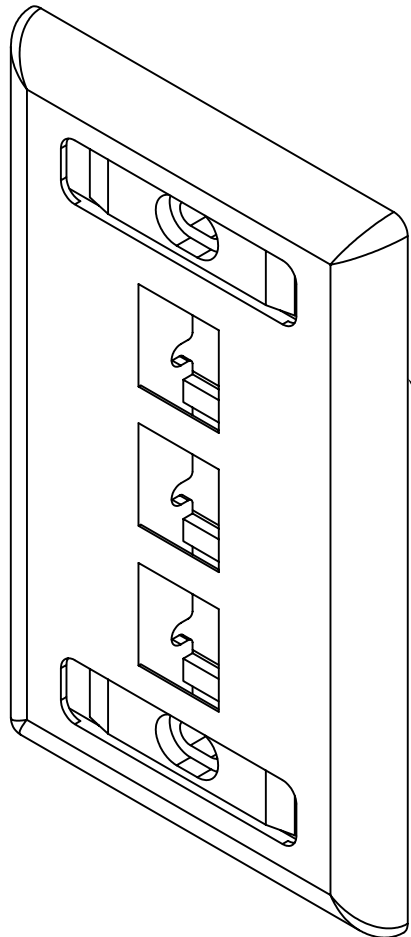


# 3-Port Single Gang Faceplate With Station ID

## PRODUCT SPECIFICATION



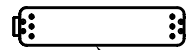
### Package includes:

- A. 3-Port Single Gang Faceplate With Station ID, 1 pc
- B. ICC Label Cover, 1 pc
- C. Clear Label Cover, 2 pcs
- D. Paper Label, 2 pcs
- E. #6-32 x 3/4" Pan Head Machine Screw, 2 pcs

3-Port Faceplate With Station ID



ICC Label Cover



Clear Label Cover

### Features and Benefits:

- Configured to fit standard single gang outlet box
- Designed to support the distribution of voice, data, and other communication needs to the work area for commercial or residential applications
- Rugged and durable construction
- Easy station identification with use of enclosed labels protected by clear plastic covers
- Hidden mounting screws
- Accommodates a wide variety of easy to snap-in modules, providing configuration flexibility
- Accepts all IC107 modules
- Available in ivory and white
- UL listed

### FACEPLATE, ID, 1-GANG, 3-PORT

ITEM NO. IC107S03XX

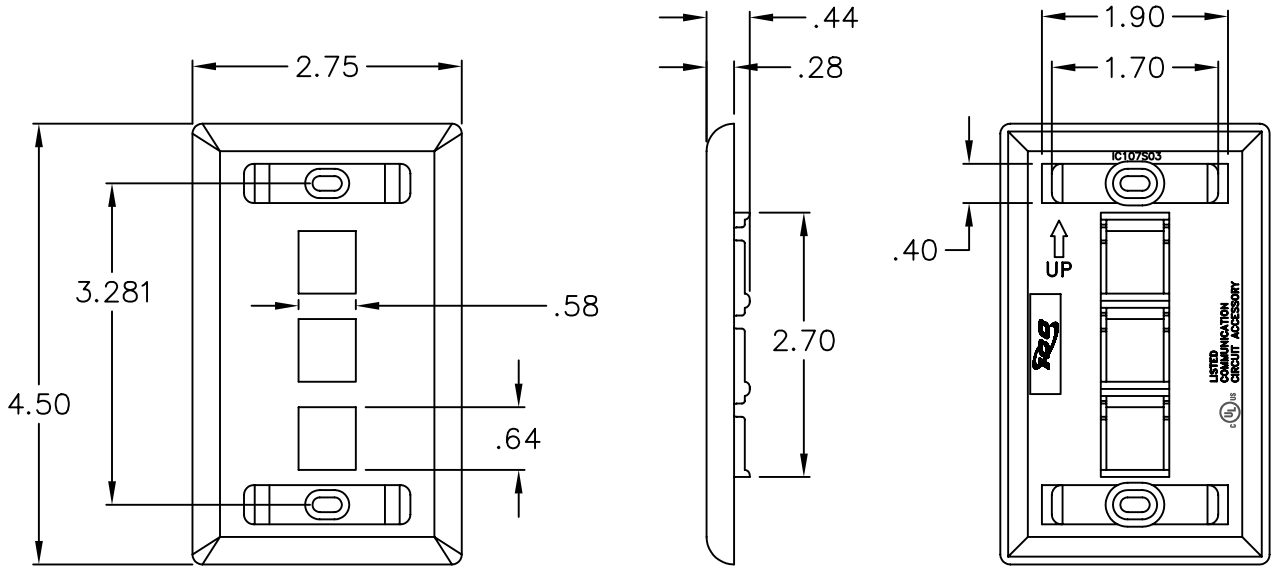
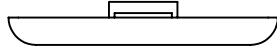
REV. A

DWG NO. PS107S0300

PAGE NO. 1




CUSTOMER CARE / TECHNICAL SUPPORT \* CSR@ICC.COM / 888-ASK-4-ICC (275-4422) \* 14700 Alondra Blvd., La Mirada, CA 90638 \* www.icc.com



**NOTE: UNLESS OTHERWISE SPECIFIED**

1. MATERIAL: ABS, UL 94V-0
2. FINISH: TEXTURE
3. COLOR: XX: IV-IVORY & WH-WHITE

UL US FILE NO. 125268

|                                      |            |   |        |
|--------------------------------------|------------|---|--------|
| <b>FACEPLATE, ID, 1-GANG, 3-PORT</b> |            | <br><b>PremiumProducts</b><br><i>ProvenPerformance</i><br><i>CompetitivePrices</i> |        |
| ITEM NO.                             | IC107S03XX |   | REV. A |
| DWG NO.                              | PS107S0300 | PAGE NO.  | 2      |

CUSTOMER CARE / TECHNICAL SUPPORT \* CSR@ICC.COM / 888-ASK-4-ICC (275-4422) \* 14700 Alondra Blvd., La Mirada, CA 90638 \* www.icc.com