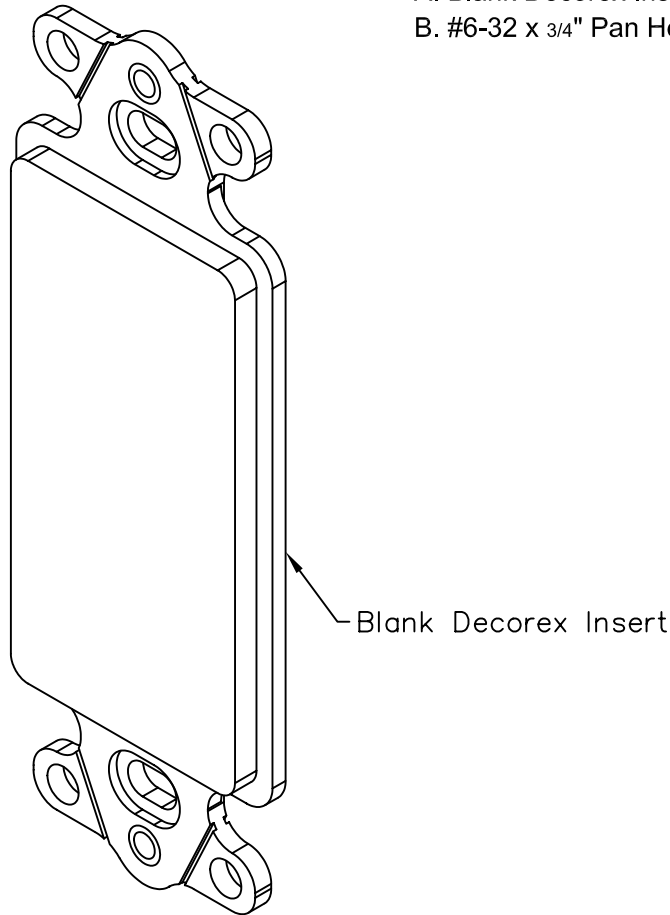


Blank Decorex Insert

PRODUCT SPECIFICATION


Package includes:

- A. Blank Decorex Insert, 1 pc
- B. #6-32 x 3/4" Pan Head Machine Screw, 2 pcs

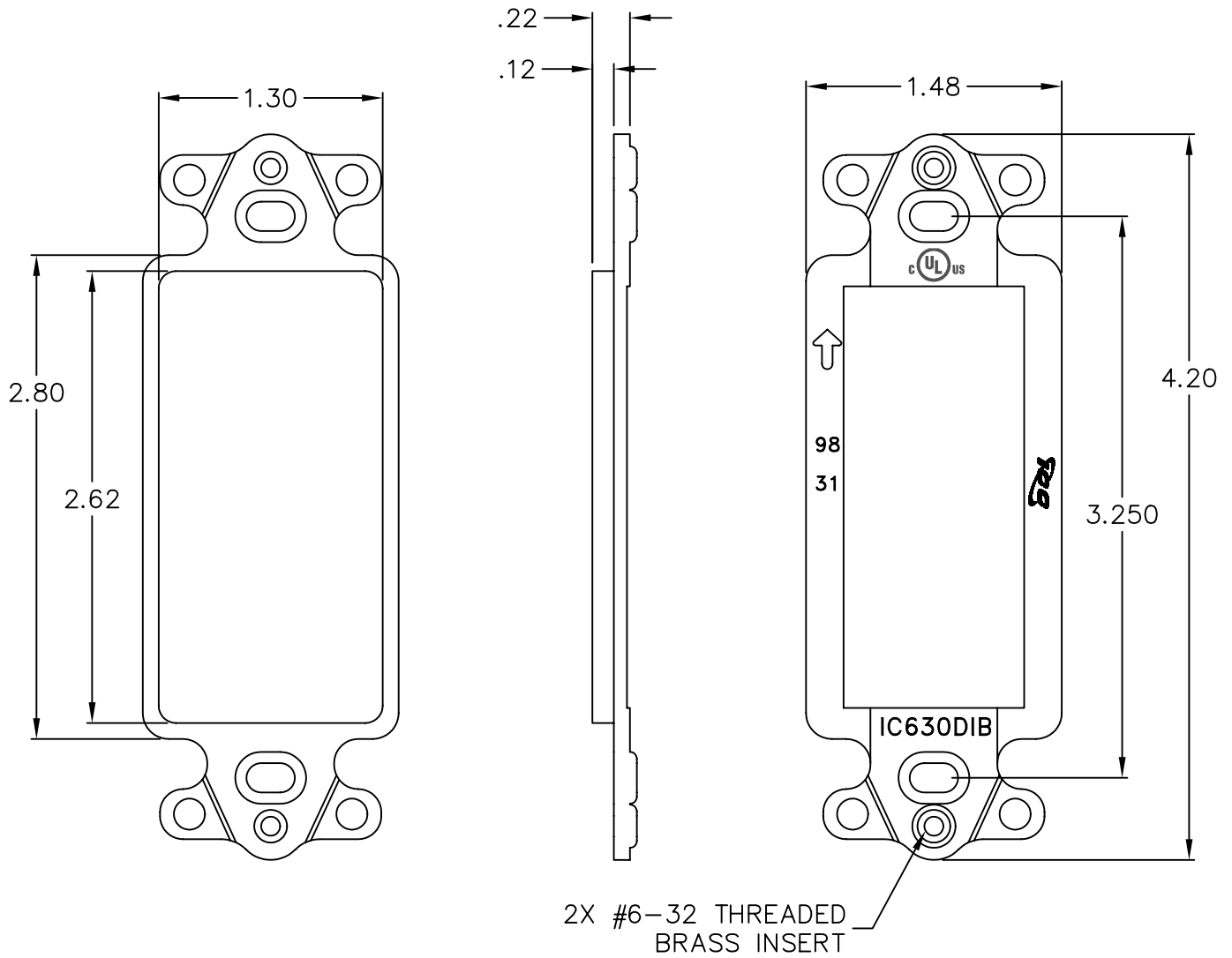


Features and Benefits:

- Fills unused ports allowing for future upgrades
- Fits standard NEMA electrical boxes
- Designed for a consistent look with standard decorator style faceplates
- Compatible with all IC107 Decorex faceplates
- Available in ivory and white
- UL listed

INSERT, DECOREX, BLANK			
ITEM NO.	IC630DIBXX	REV.	B
DWG NO.	PS630DIB00	PAGE NO.	1


CUSTOMER CARE / TECHNICAL SUPPORT * CSR@ICC.COM / 888-ASK-4-ICC (275-4422) * 14700 Alondra Blvd., La Mirada, CA 90638 * www.icc.com



NOTE: UNLESS OTHERWISE SPECIFIED

1. MATERIAL: ABS, UL 94V-0
2. FINISH: GLOSSY
3. COLOR: XX: IV-IVORY & WH-WHITE

UL US FILE NO. 125268

INSERT, DECOREX, BLANK		 ICC <i>PremiumProducts</i> <i>ProvenPerformance</i> <i>CompetitivePrices</i>	
ITEM NO.	IC630DIBXX		REV. B
DWG NO.	PS630DIB00		PAGE NO. 2

CUSTOMER CARE / TECHNICAL SUPPORT * CSR@ICC.COM / 888-ASK-4-ICC (275-4422) * 14700 Alondra Blvd., La Mirada, CA 90638 * www.icc.com