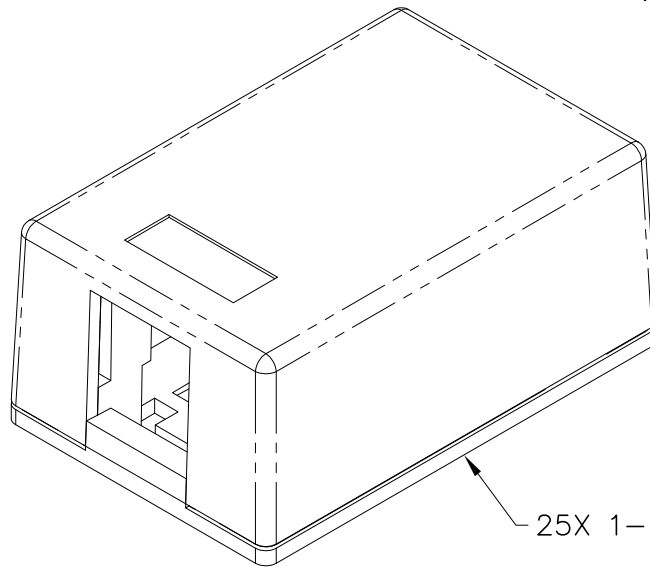


# 1-Port Surface Mount Box 25 PK

## PRODUCT SPECIFICATION

### Package includes:

- A. Surface Mount Box Cover, 25 pc
- B. Surface Mount Box Base, 25 pc
- C. Double Sided Adhesive Strip, 25 pc
- D. #6 x 3/4" Pan Head, Sharp Point Tapping Screw, 50 pcs



25X 1-Port Surface Mount Box

### Features and Benefits:

- Provides a clean modular surface mount outlet solution of voice, data, and other communication needs to the work area for commercial or residential applications
- Multiple mounting options including adhesive backing, screws, and magnets
- Recessed area for ID label
- Rugged and durable construction
- Accommodates a wide variety of easy to snap-in modules, providing configuration flexibility
- Accepts all IC107 modules
- Available in ivory, and white
- UL listed

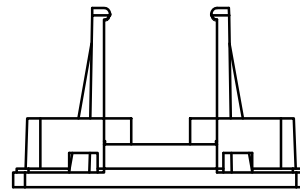
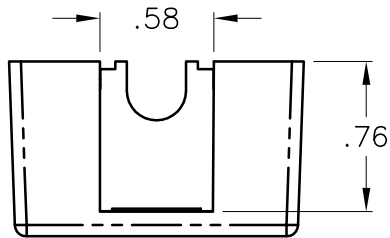
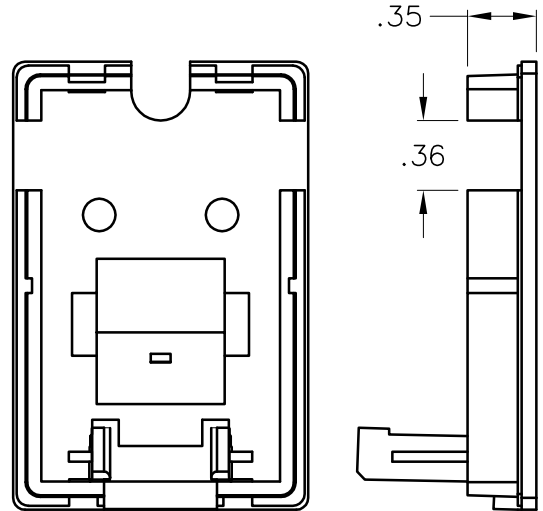
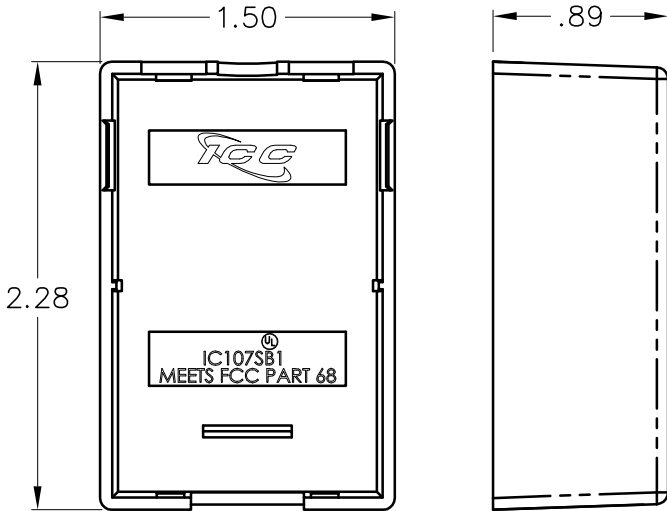
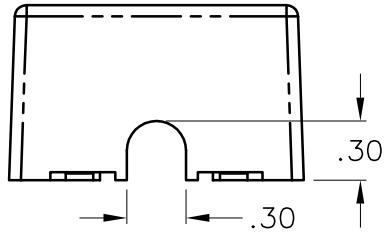
### SURFACE MOUNT BOX, 1-PORT, 25 PK

ITEM NO. IC107BC1XX  
DWG NO. PS107BC1XX

REV. A  
PAGE NO. 1



CUSTOMER CARE / TECHNICAL SUPPORT \* CSR@ICC.COM / 888-ASK-4-ICC (275-4422) \* 14700 Alondra Blvd., La Mirada, CA 90638 \* www.icc.com




**COVER**

**BASE**

**NOTE: UNLESS OTHERWISE SPECIFIED**

1. MATERIAL: ABS, UL 94V-0
2. COLOR: XX: IV-IVORY, & WH-WHITE

<b>SURFACE MOUNT BOX, 1-PORT, 25 PK</b>		 <i>Premium Products</i> <i>Proven Performance</i> <i>Competitive Prices</i>	
ITEM NO.	IC107BC1XX		REV. A
DWG NO.	PS107BC1XX	PAGE NO.	2

CUSTOMER CARE / TECHNICAL SUPPORT \* CSR@ICC.COM / 888-ASK-4-ICC (275-4422) \* 14700 Alondra Blvd., La Mirada, CA 90638 \* www.icc.com