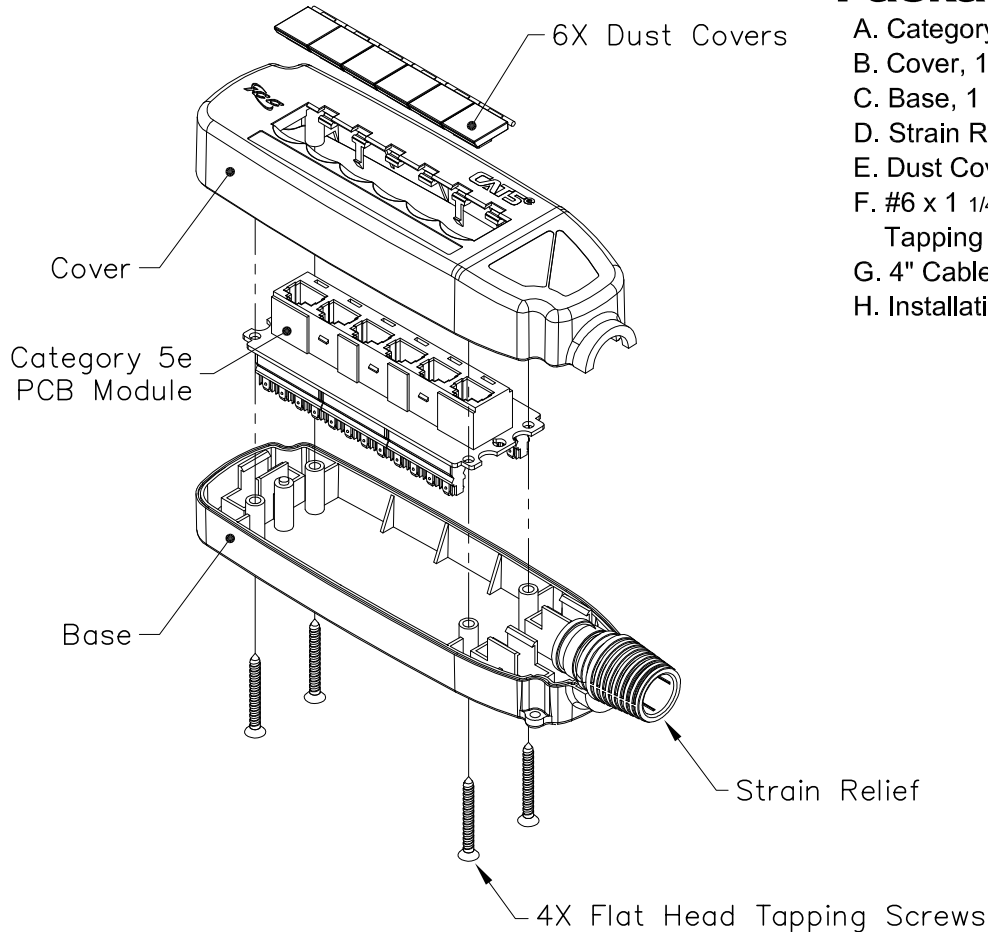


# 6-Port Category 5e Mobile Patch Box

## PRODUCT SPECIFICATION



### Package includes:

- A. Category 5e PCB Module, 1 pc
- B. Cover, 1 pc
- C. Base, 1 pc
- D. Strain Relief, 1 pc
- E. Dust Cover, 6 pcs
- F. #6 x 1 1/4" Flat Head Tapping Screw, 4 pcs
- G. 4" Cable Tie, 2 pcs
- H. Installation Instructions, 1 sheet

### Features and Benefits:

- Provides a 6-port outlet appropriate for open architectural environments
- Suitable for use with either 4-pair or 25-pair cable
- Rugged construction allows for long lasting use
- Optional mounting on steel surface with magnets ICMAGBLOCK (not included)
- Enhanced crosstalk cancellation reduces return loss and improves performance by rejecting noise and unwanted signals
- Exceeds ANSI/TIA/EIA-568-C.2 Category 5e connecting hardware requirements
- Used with ICPCSJ series CAT 5e patch cords and ICACSPDT00 110 punch down tool
- UL listed

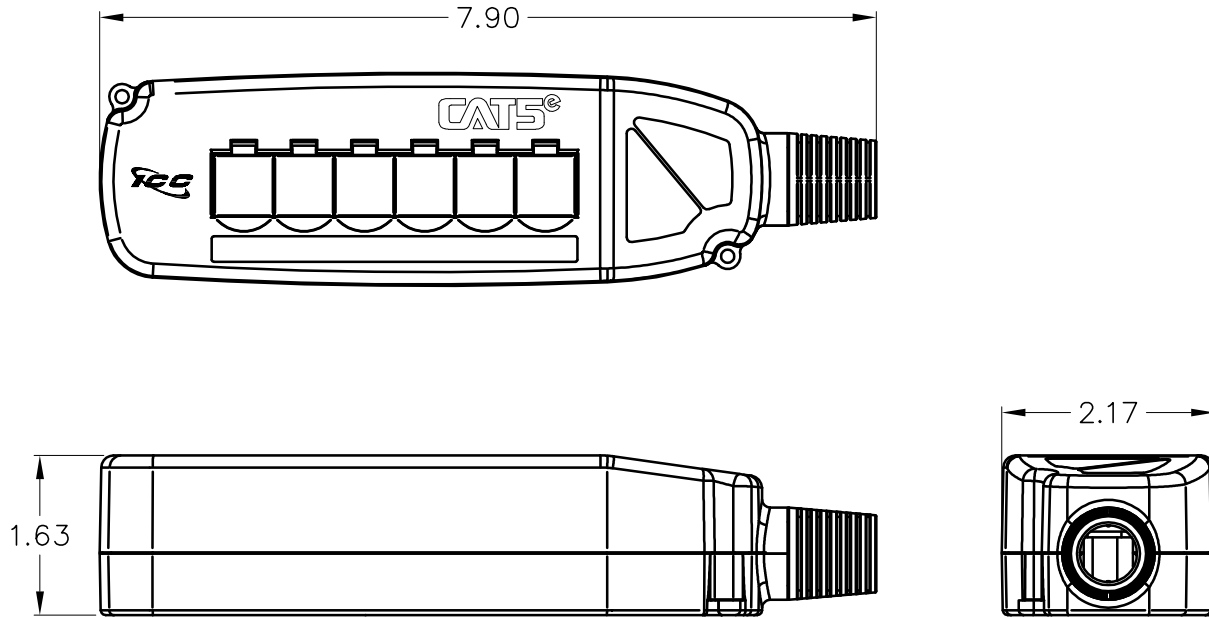
### PATCH BOX, MOBILE, CAT 5E, 6-PORT

ITEM NO. ICMPMB506  
 DWG NO. PSMPPMB506

REV. C  
 PAGE NO. 1



CUSTOMER CARE / TECHNICAL SUPPORT \* CSR@ICC.COM / 888-ASK-4-ICC (275-4422) \* 14700 Alondra Blvd., La Mirada, CA 90638 \* www.icc.com



**NOTE: UNLESS OTHERWISE SPECIFIED**

1. CAT 5e PCB MODULE:

A. ELECTRICAL:

- CURRENT RATING: 1.5 AMP MAX
- D.C. RESISTANCE: .1 OHM MAX
- CONTACT RESISTANCE: 5 MILLIOHMS

B. MECHANICAL:

- MATING FORCE: 100 GRAMS MIN/CONTACT
- TEMPERATURE RANGE: -40° ~ 150°F (-40° ~ 66°C)
- PLUG RETENTION IN JACK: 30 LBS (133N) MIN

C. MATERIAL:

- JACK HOUSING: ABS, UL 94V-0
- SPRING WIRE: SQUARE SPRING WIRE, TEMPERED PHOSPHOROUS BRONZE
- 110 CONNECTOR: COPPER ALLOY, 100 MICRO INCHES OF BRIGHT SOLDER  
OVER 100 MICRO INCHES OF NICKEL UNDERPLATE
- GOLD RATING: 50 MICRO INCHES OF GOLD OVER 100 MICRO INCHES OF NICKEL

2. COVER AND BASE:

- A. MATERIAL: POLYPROPYLENE, UL 94V-0
- B. COLOR: BLACK

3. STRAIN RELIEF:


- A. MATERIAL: SOFT PVC, UL 94V-0
- B. COLOR: BLACK

4. DUST COVER:

- A. MATERIAL: SOFT PVC, UL 94V-0
- B. COLOR: BLACK

CAT 5e CONNECTING HARDWARE REQUIREMENTS										
FREQUENCY (MHz)	1.0	4.0	8.0	10.0	16.0	20.0	25.0	31.25	62.5	100
NEXT LOSS (db)	65.0	65.0	64.9	63.0	58.9	57.0	55.0	53.1	47.1	43.0
FEXT LOSS (db)	75.1	63.1	57.0	55.1	51.0	49.1	47.1	45.2	39.2	35.1
RETURN LOSS (db)	35.0	35.0	35.0	35.0	35.0	34.0	32.0	30.1	24.1	20.0
INSERTION LOSS(db)	0.10	0.10	0.10	0.10	0.20	0.20	0.20	0.20	0.30	0.40

UL US FILE NO. 125268

<b>PATCH BOX, MOBILE, CAT 5E, 6-PORT</b>		 <b>PremiumProducts</b> <i>ProvenPerformance</i> <i>CompetitivePrices</i>	
ITEM NO.	ICMPPMB506		REV. C
DWG NO.	PSMPPMB506	PAGE NO.	2

CUSTOMER CARE / TECHNICAL SUPPORT \* CSR@ICC.COM / 888-ASK-4-ICC (275-4422) \* 14700 Alondra Blvd., La Mirada, CA 90638 \* www.icc.com