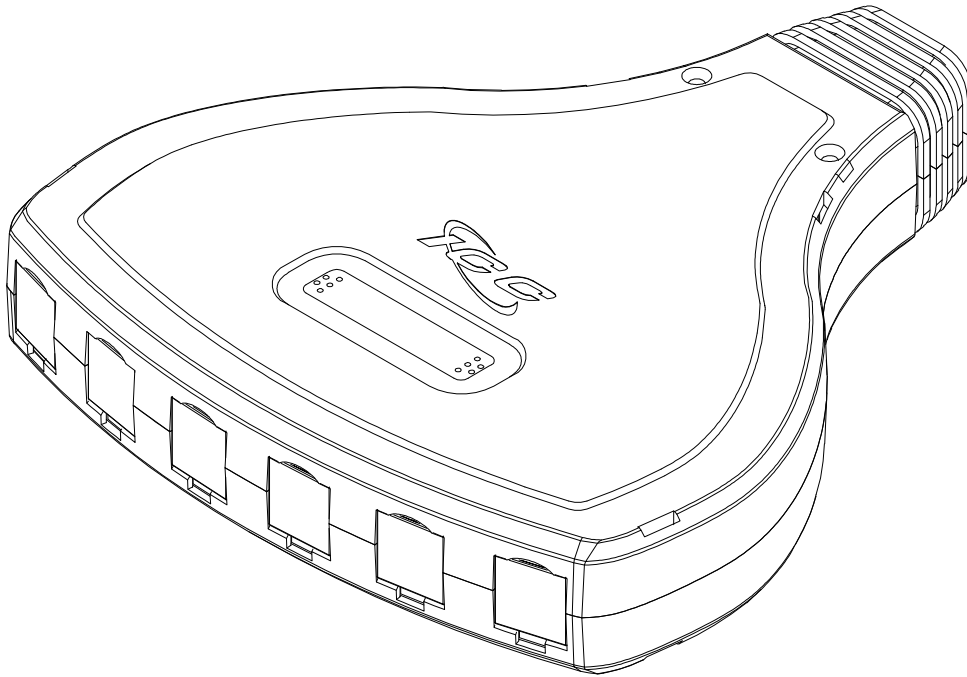


6-Port Configurable Mobile Patch Box

PRODUCT SPECIFICATION

Package includes:

- A. Cover, 1 pc
- B. Base, 1 pc
- C. Dust Cover, 6 pcs
- D. Paper Label, 1 pc
- E. Clear Label Cover, 1 pc
- F. #6 x 1/2" Flat Head Tapping Screw, 3 pcs
- G. 4" Cable Tie, 2 pcs
- H. #6 X 3/4" Pan Head, Sharp Point, Tapping Screw, 2 pcs
- I. Installation Instructions, 1 sheet



Features and Benefits:

- Customizable for data, voice, video or audio applications.
- Provides a 6-port outlet appropriate for open architectural environments
- Rugged construction allows for in harsh environments
- Optional mounting on steel surface with magnets ICMAGBLOCK (not included) or wall mounted.
- Installation instructions

MOBILE, MODULAR, OUTLET BOX 6 PORT, BK

ITEM NO. IC107MB6BK

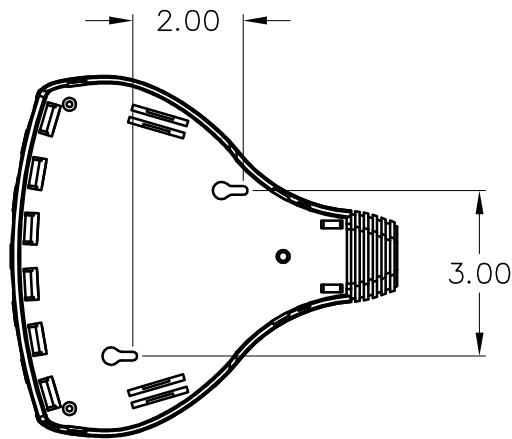
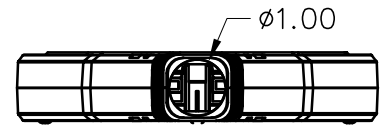
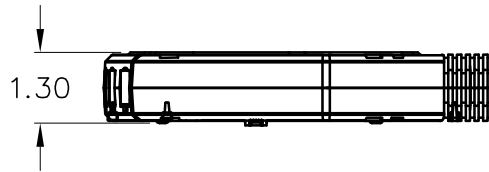
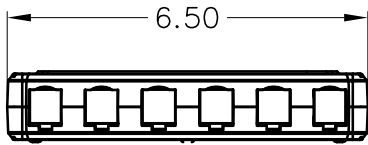
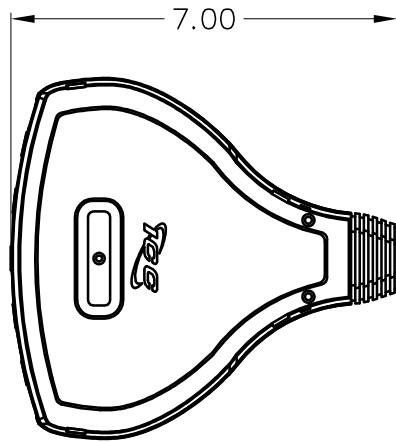
REV. A

DWG NO. PS107MB6BK

PAGE NO. 1




CUSTOMER CARE / TECHNICAL SUPPORT * CSR@ICC.COM / 888-ASK-4-ICC (275-4422) * 14700 Alondra Blvd., La Mirada, CA 90638 * www.icc.com



NOTE: UNLESS OTHERWISE SPECIFIED

- 1. COVER AND BASE:
 - A. MATERIAL: POLYPROPYLENE, UL 94V-0
 - B. COLOR: BLACK
- 2. DUST COVER:
 - A. MATERIAL: SOFT PVC, UL 94V-0
 - B. COLOR: BLACK
- 3. ENVIRONMENTAL CONDITIONS:
 - A. TEMPERATURE RANGE:
 - STORAGE: -40 TO +70°C
 - OPERATION: -10 TO +60°C
 - B. RELATIVE HUMIDITY:
 - OPERATIONAL: MANIMUM NONCONDENSING 93%

| | | | |
|---|------------|---|--------|
| MOBILE, MODULAR, OUTLET BOX 6 PORT, BK | |  | |
| ITEM NO. | IC107MB6BK | | REV. A |
| DWG NO. | PS107MB6BK | PAGE NO. | 2 |

CUSTOMER CARE / TECHNICAL SUPPORT * CSR@ICC.COM / 888-ASK-4-ICC (275-4422) * 14700 Alondra Blvd., La Mirada, CA 90638 * www.icc.com