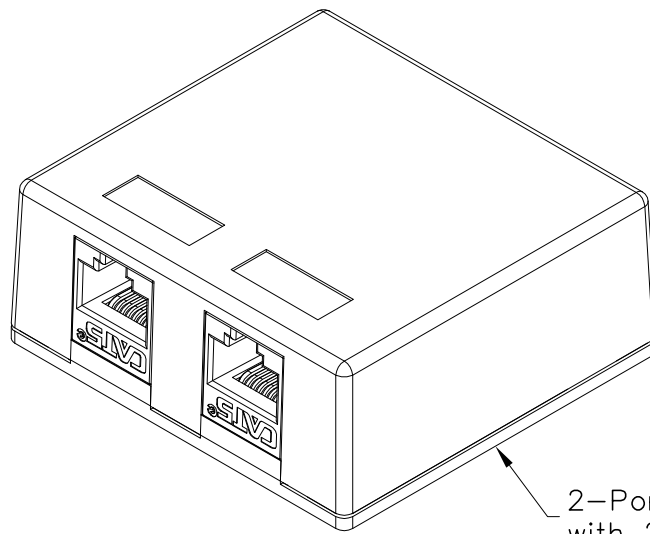


# 2-Port Surface Mount Box w/8P8C CAT 5e EZ Jack

## PRODUCT SPECIFICATION

### Package includes:

- A. Surface Mount Box Cover, 1 pc
- B. Surface Mount Box Base, 1 pc
- C. 8P8C Cat 5e Jack, 2 pcs
- D. Double Sided Adhesive Strip, 1 pc
- E. #6 x 3/4" Pan Head, Sharp Point Tapping Screw, 2 pcs



2-Port Surface Mount Box  
with 2 CAT 5e Data Jack

### Features and Benefits:

- Provides a clean modular surface mount outlet solution of voice, data, and other communication needs to the work area for commercial or residential applications
- Multiple mounting options including adhesive backing and screws
- Recessed area for ID label
- Rugged and durable construction
- Available in ivory and white

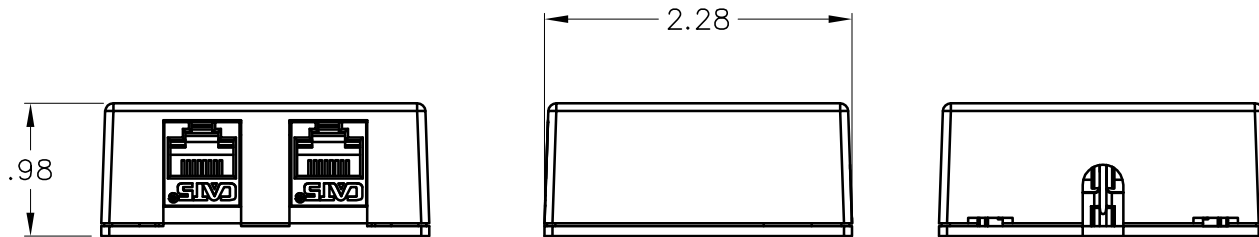
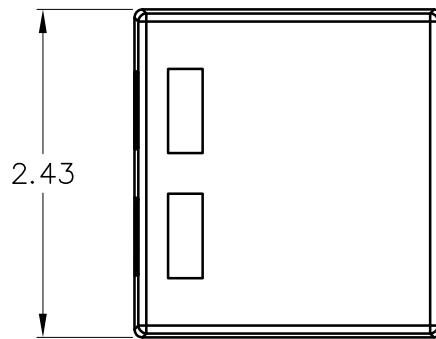
### **SURFACE MOUNT BOX, 8P8C, 2 CAT 5e EZ**

ITEM NO. IC625S52XX  
DWG NO. PS625S5200

REV. A  
PAGE NO. 1



CUSTOMER CARE / TECHNICAL SUPPORT \* CSR@ICC.COM / 888-ASK-4-ICC (275-4422) \* 14700 Alondra Blvd., La Mirada, CA 90638\* www.icc.com



**NOTE: UNLESS OTHERWISE SPECIFIED**

1. MATERIAL:

- A. SURFACE MOUNT BOX: ABS, UL 94V-0
- B. CAT 5E MODULE: HIGH IMPACT, FLAME RETARDANT PLASTIC, UL 94V-0

2. COLOR: XX: IV-IVORY, WH-WHITE

3. CAT 5E MODULE:

A. ELECTRICAL:

- CURRENT RATING: 1.5 AMPS
- INSULATION RESISTANCE: 500 MOHMS MIN
- CONTACT RESISTANCE: 20 MOHMS MAX
- DC RESISTANCE: 0.1 OHM MAX
- TRANSMISSION PERFORMANCE EXCEEDS CATEGORY 5E CONNECTING HARDWARE REQUIREMENTS SPECIFIED IN TIA/EIA-568-B.2 WHEN USED WITH COMPATIBLE HORIZONTAL CABLE

CATEGORY 5e CONNECTING HARDWARE REQUIREMENTS										
FREQUENCY (MHz)	1.0	4.0	8.0	10.0	16.0	20.0	25.0	31.25	62.5	100
NEXT LOSS (db)	65.0	65.0	64.9	63.0	58.9	57.0	55.0	53.1	47.1	43.0
FEXT LOSS (db)	75.1	63.1	57.0	55.1	51.0	49.1	47.1	45.2	39.2	35.1
RETURN LOSS (db)	35.0	35.0	35.0	35.0	35.0	34.0	32.0	30.1	24.1	20.0
INSERTION LOSS(db)	0.10	0.10	0.10	0.10	0.20	0.20	0.20	0.20	0.30	0.40

B. MECHANICAL:

- PLUG INSERTION LIFE: 750 CYCLES MIN
- PLUG & JACK CONTACT FORCE: 100 GRAMS MIN  
USING FCC APPROVED PLUG
- PLUG RETENTION FORCE: 30 LBS MIN
- TEMPERATURE: -40° TO 150° F (-40° TO 68° C)

C. PHYSICALS:

- JACK WIRING: 50 MICRO INCHES OF GOLD OVER 100 INCHES OF NICKEL
- CONNECTOR: INSULATION DISPLACEMENT CONNECTOR (IDC)  
ACCEPTS 22~24 AWG SOLID WIRE

T568B WIRING

2	ORANGE
1	WHITE/ORANGE
3	WHITE/GREEN
5	WHITE/BLUE
4	BLUE
6	GREEN
8	BROWN
7	WHITE/BROWN

T568A WIRING

2	GREEN
1	WHITE/GREEN
3	WHITE/ORANGE
5	WHITE/BLUE
4	BLUE
6	ORANGE
8	BROWN
7	WHITE/BROWN

**SURFACE MOUNT BOX, 8P8C, 2 CAT 5e EZ**

ITEM NO. IC625S52XX  
 DWG NO. PS625S5200

REV. A  
 PAGE NO. 2



CUSTOMER CARE / TECHNICAL SUPPORT \* CSR@ICC.COM / 888-ASK-4-ICC (275-4422) \* 14700 Alondra Blvd., La Mirada, CA 90638\* www.icc.com