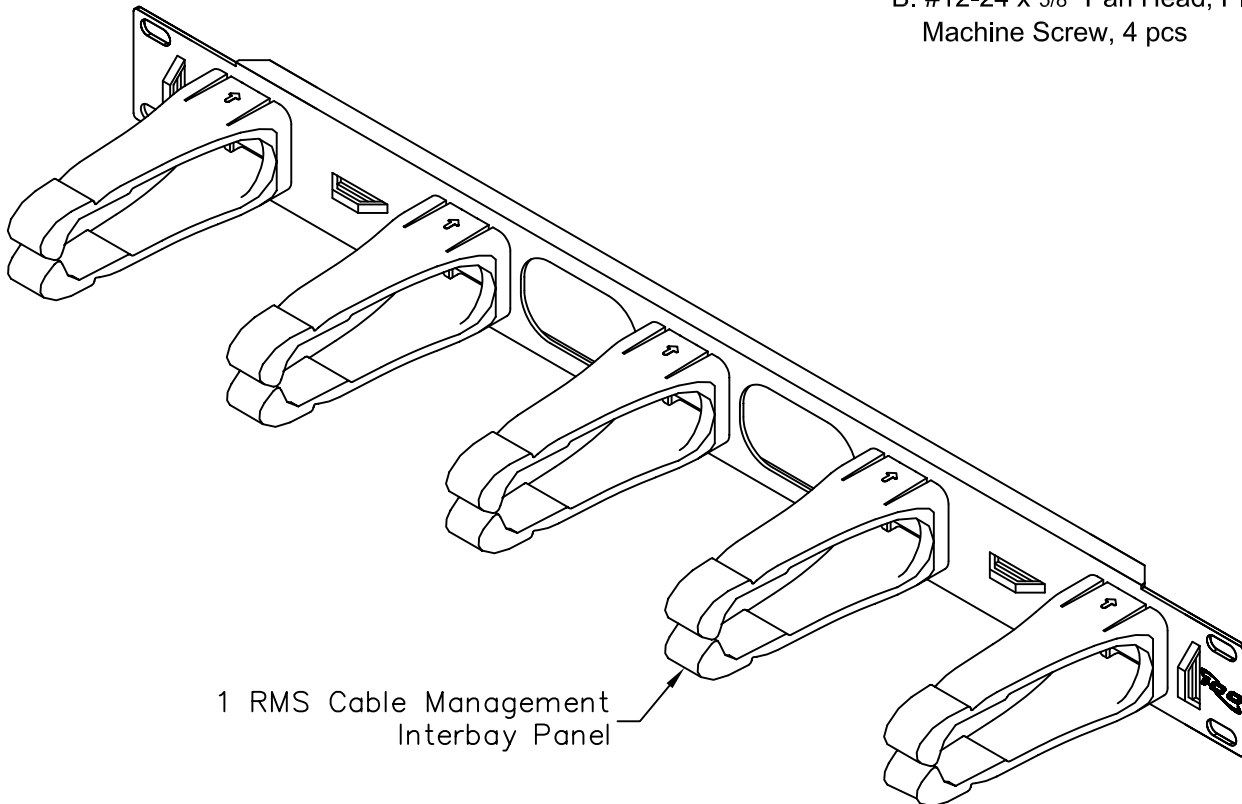


# Cable Management Interbay Panel, 1 RMS

## PRODUCT SPECIFICATION

### Package includes:

- A. 1 RMS Cable Management Interbay Panel, 1 pc
- B. #12-24 x 5/8" Pan Head, Pilot Point Machine Screw, 4 pcs



### Features and Benefits:

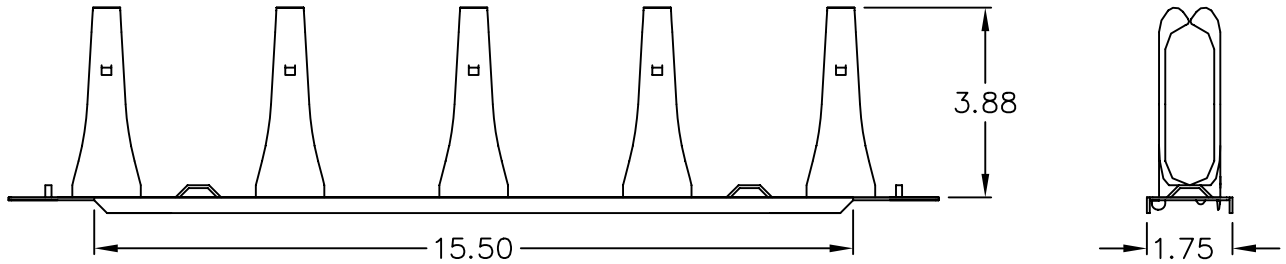
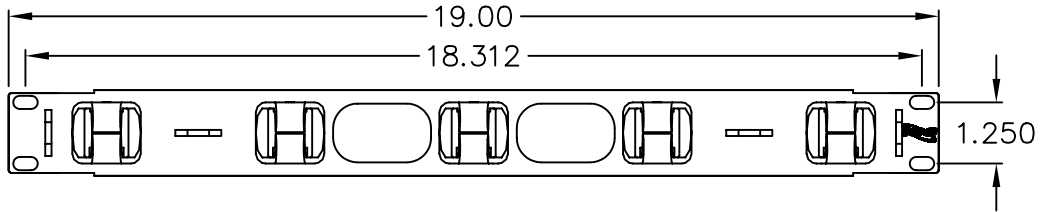
- Provides flexibility for front cable management with a neat and clean appearance
- Designed with 5 horizontal rings to manage patch cords and cables
- Designed to fit all standard 19" racks and cabinets
- 1 rack mount space (RMS)
- Accommodates ICCMSCMC01 cable management panel cover
- Used with all ICCMS racks and brackets
- UL listed

### PANEL, CABLE MANAGEMENT INTERBAY, 1 RMS

ITEM NO.	ICCMSCMA51	REV.	A
DWG NO.	PSCMSCMA51	PAGE NO.	1



CUSTOMER CARE / TECHNICAL SUPPORT \* CSR@ICC.COM / 888-ASK-4-ICC (275-4422) \* 14700 Alondra Blvd., La Mirada, CA 90638 \* www.icc.com



**NOTE: UNLESS OTHERWISE SPECIFIED**

- 1. PANEL:
  - A. MATERIAL: 16 GA CRS
  - B. SURFACE FINISH: BLACK POWDER COAT
- 2. RING:
  - A. MATERIAL: ABS, UL 94V-0
  - B. COLOR: BLACK

UL US FILE NO. 125268

<b>PANEL, CABLE MANAGEMENT INTERBAY, 1 RMS</b>		
ITEM NO.	ICCMSCMA51	
DWG NO.	PSCMSCMA51	PAGE NO. 2

CUSTOMER CARE / TECHNICAL SUPPORT \* CSR@ICC.COM / 888-ASK-4-ICC (275-4422) \* 14700 Alondra Blvd., La Mirada, CA 90638 \* www.icc.com