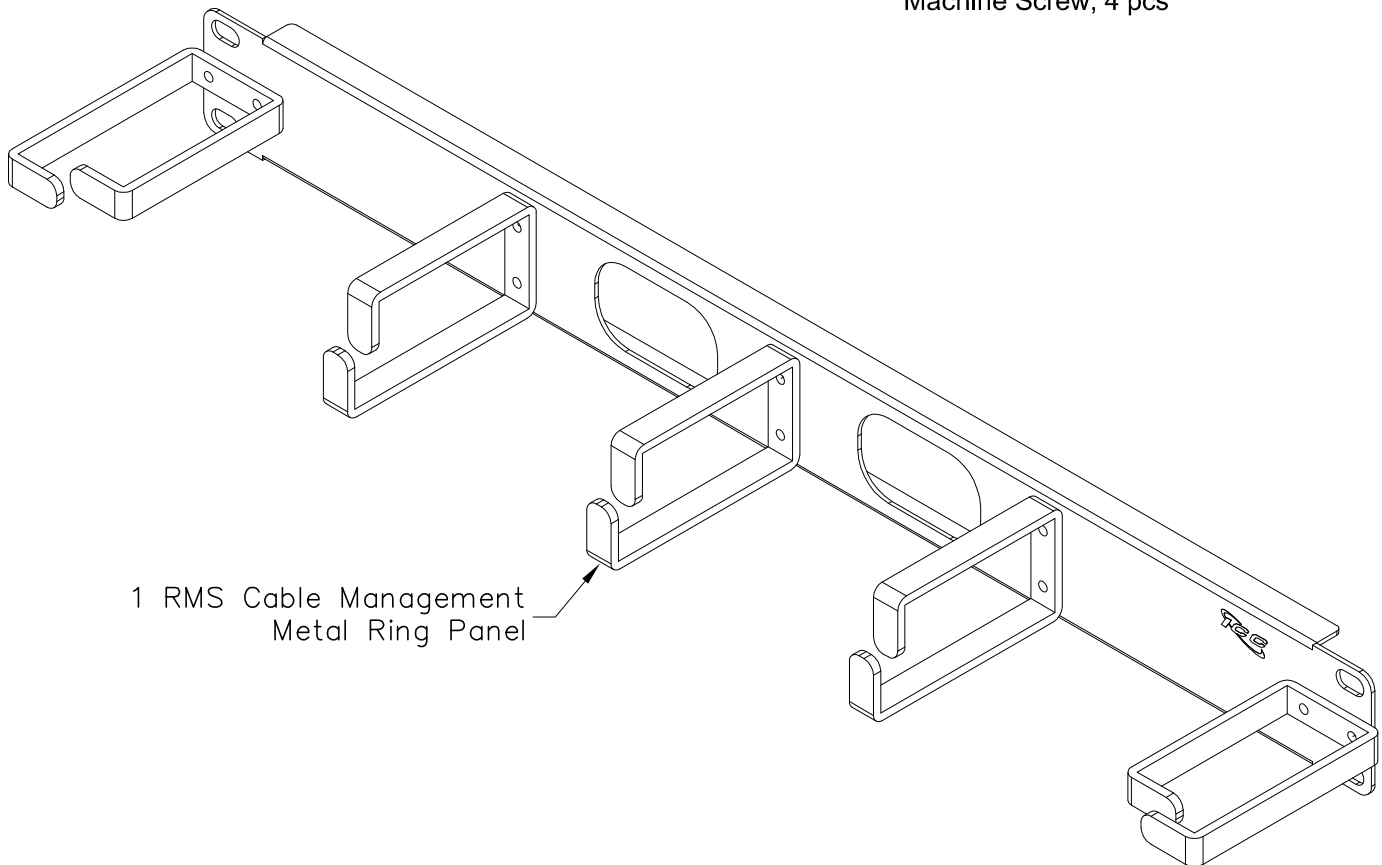


# Cable Management Metal Ring Panel, 1 RMS

## PRODUCT SPECIFICATION

### Package includes:

- A. 1 RMS Cable Management Metal Ring Panel, 1 pc
- B. #12-24 x 5/8" Pan Head, Pilot Point Machine Screw, 4 pcs



### Features and Benefits:

- Provides flexibility for front cable management with a neat and clean appearance
- Designed with 4 horizontal and 2 vertical rings for patch cord organization in either direction
- Designed to fit all standard 19" racks and cabinets
- 1 rack mount space (RMS)
- Used with all ICCMS racks and brackets

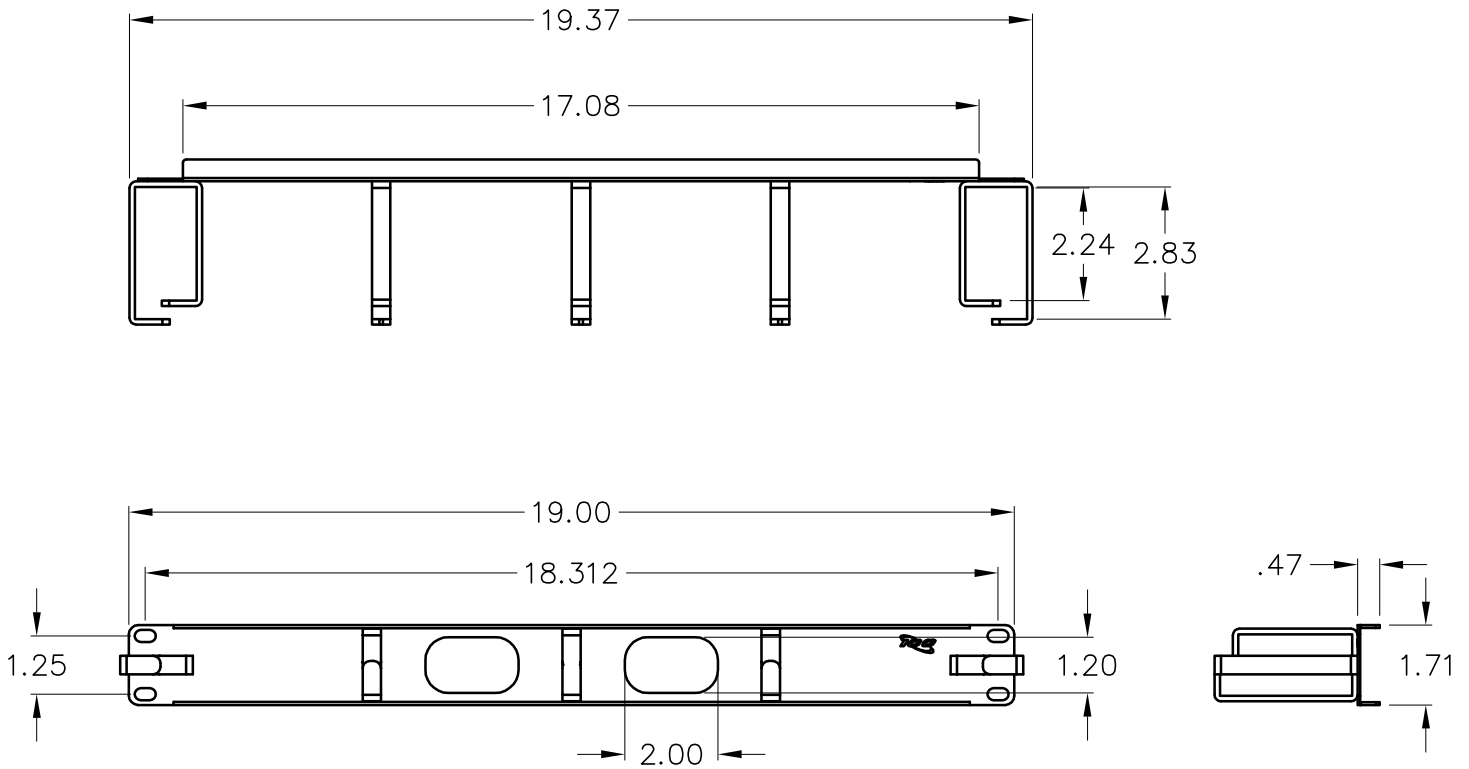
### PANEL, CABLE MANAGEMENT METAL RING, 1 RMS

ITEM NO. ICCMSCMP31  
DWG NO. PSCMSCMP31

REV. C  
PAGE NO. 1



CUSTOMER CARE / TECHNICAL SUPPORT \* CSR@ICC.COM / 888-ASK-4-ICC (275-4422) \* 14700 Alondra Blvd., La Mirada, CA 90638 \* www.icc.com



**NOTE: UNLESS OTHERWISE SPECIFIED**

1. MATERIAL:

- A. PANEL: 16 GA CRS
- B. RING: 1/8" X 3/8" CRS

2. SURFACE FINISH: BLACK TEXTURED POWDER COAT

**PANEL, CABLE MANAGEMENT METAL RING, 1 RMS**

ITEM NO. ICCMSCMP31  
 DWG NO. PSCMSCMP31

REV. C  
 PAGE NO. 2



CUSTOMER CARE / TECHNICAL SUPPORT \* CSR@ICC.COM / 888-ASK-4-ICC (275-4422) \* 14700 Alondra Blvd., La Mirada, CA 90638 \* www.icc.com