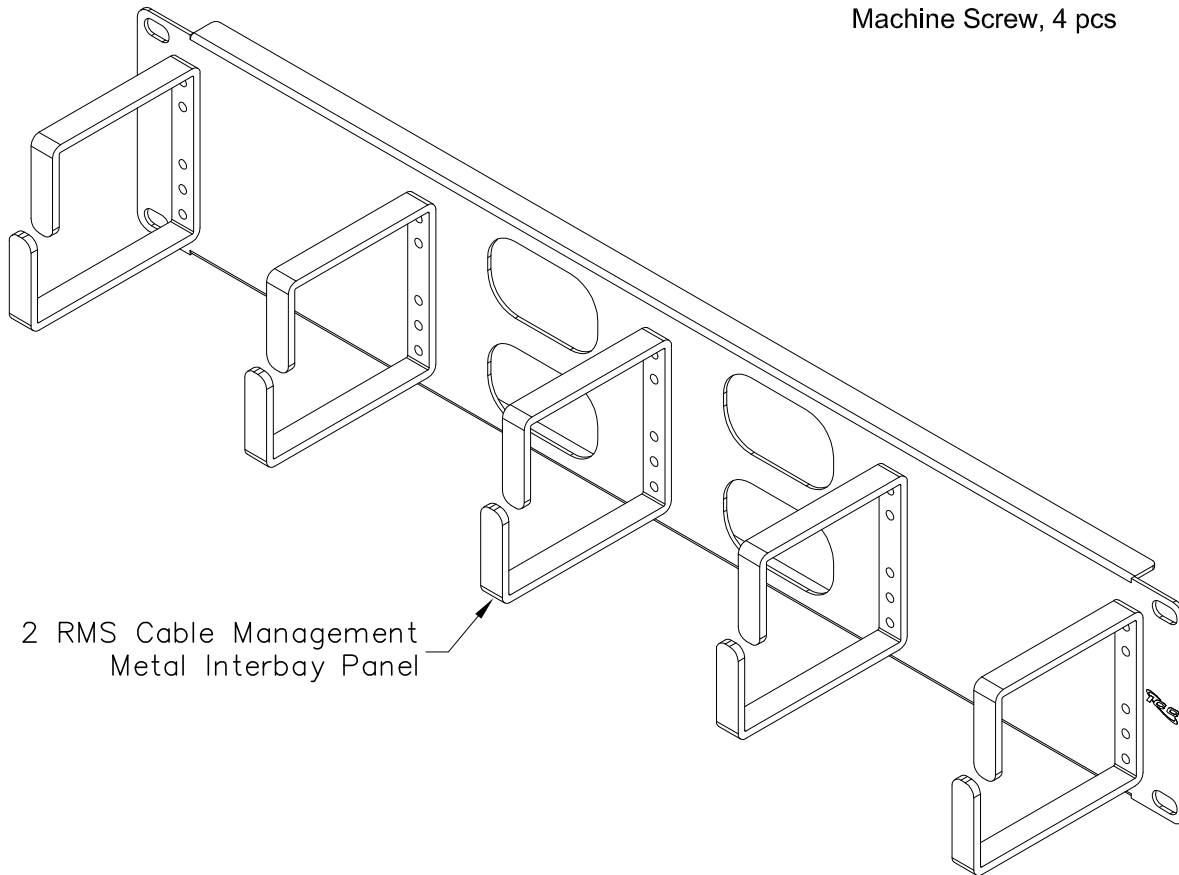


Cable Management Metal Interbay Panel, 2 RMS

PRODUCT SPECIFICATION

Package includes:

- A. 2 RMS Cable Management Metal Interbay Panel, 1 pc
- B. #12-24 x 5/8" Pan Head, Pilot Point Machine Screw, 4 pcs



Features and Benefits:

- Provides flexibility for front cable management with a neat and clean appearance
- Designed with 5 horizontal rings for patch cord organization
- Designed to fit all standard 19" racks and cabinets
- 2 rack mount space (RMS)
- Used with all ICCMS racks and brackets

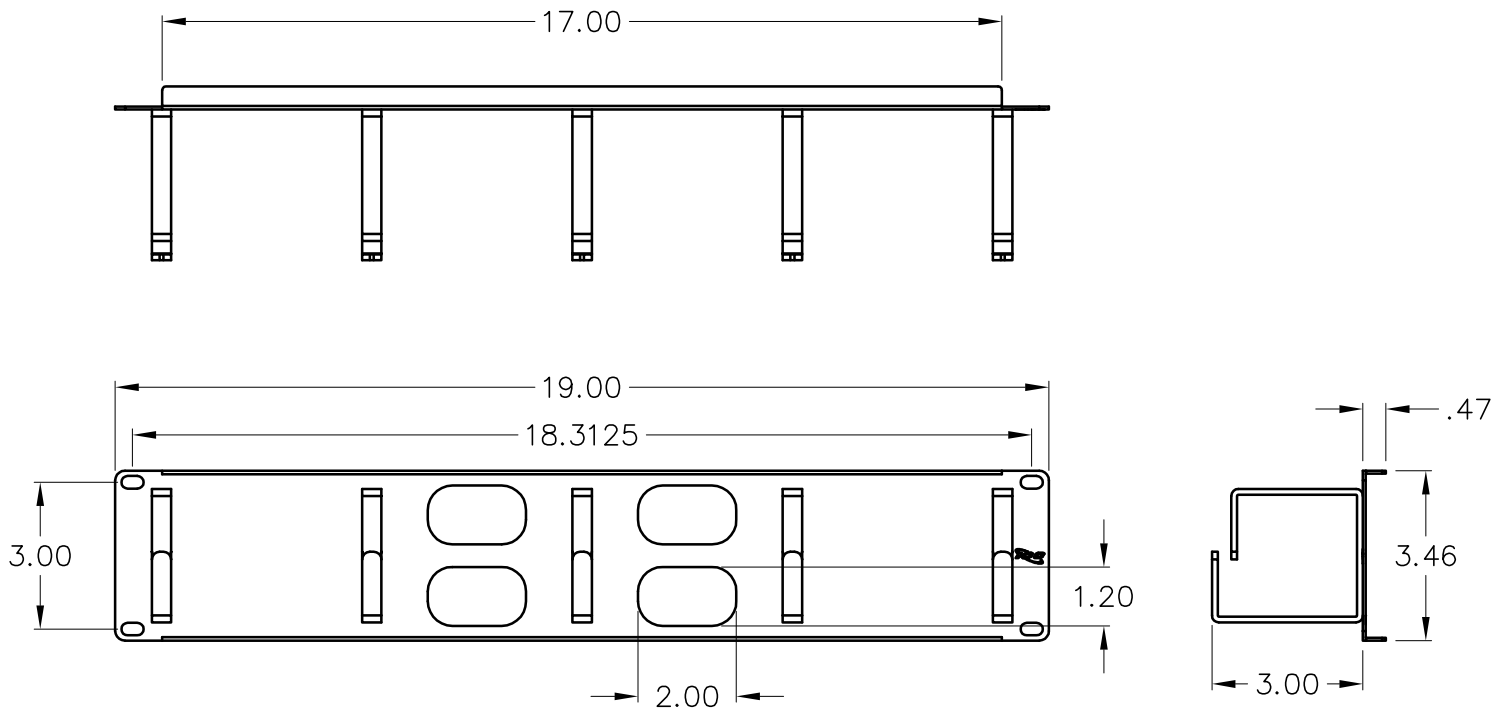
PANEL, CABLE MGMT METAL INTERBAY, 2 RMS

ITEM NO.	ICCMSCMP52
DWG NO.	PSCMSCMP52

REV.	D
PAGE NO.	1



CUSTOMER CARE / TECHNICAL SUPPORT * CSR@ICC.COM / 888-ASK-4-ICC (275-4422) * 14700 Alondra Blvd., La Mirada, CA 90638 * www.icc.com



NOTE: UNLESS OTHERWISE SPECIFIED

1. MATERIAL:

A. PANEL: 16 GA CRS

B. RING: 16 CRS, 3.0" X 2.7" X .06" STRIP

2. SURFACE FINISH: BLACK TEXTURED POWDER COAT

PANEL, CABLE MGMT METAL INTERBAY, 2 RMS

ITEM NO.	ICCMSCMP52
DWG NO.	PSCMSCMP52

REV.	D
PAGE NO.	2



CUSTOMER CARE / TECHNICAL SUPPORT * CSR@ICC.COM / 888-ASK-4-ICC (275-4422) * 14700 Alondra Blvd., La Mirada, CA 90638 * www.icc.com