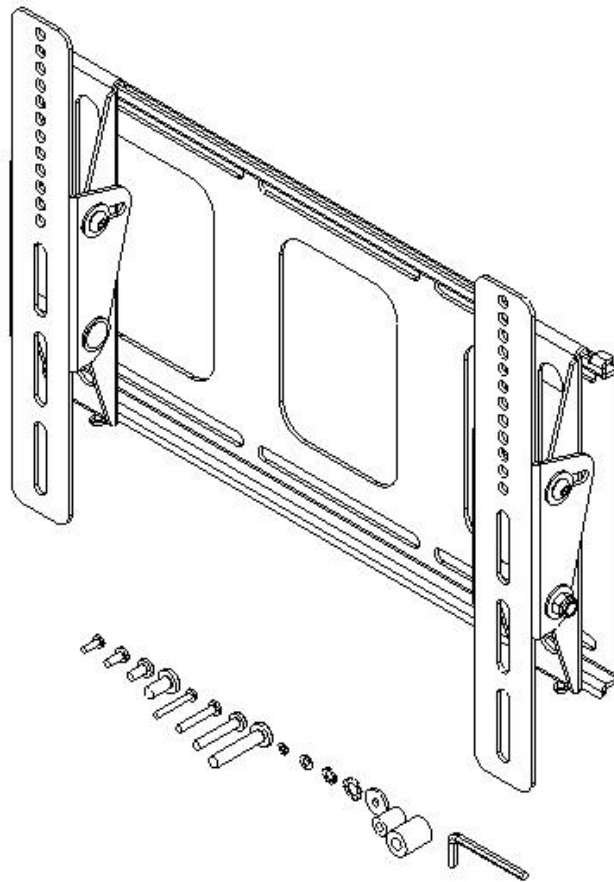


WMP

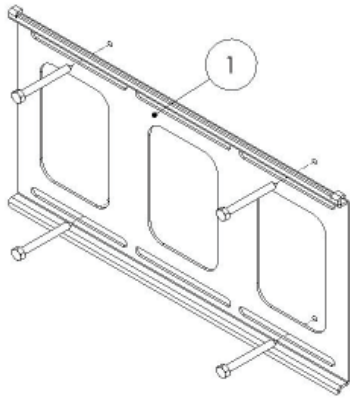
VIDEO MOUNT PRODUCTS

Instruction Sheet For:

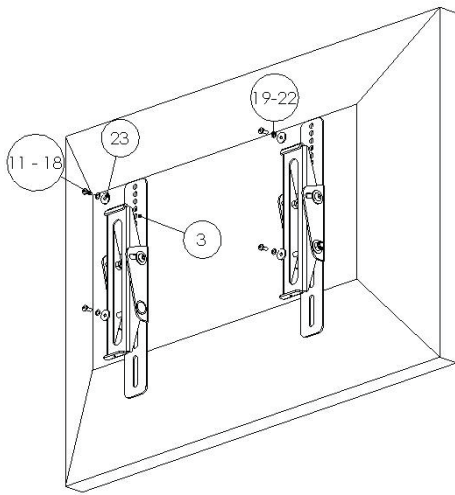
LCD-MID-FT & LCD-MID-FTB



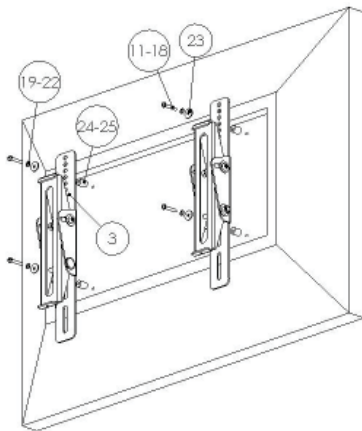
*For more information, please contact us at:
325 Log Canoe Circle, Stevensville, Maryland 21666
(T) 410.643.6390 / (F) 410.643.6615
www.videomount.com*



Step 2: Mounting the wall plate
(Lag screws are not included)



Step 3A: Attaching the mounting
brackets to the screen
(spacers not needed)



Step 3B: Attaching the mounting
brackets to the screen
(spacers used due to recessed
hole patterns)

Step 1

Before starting, lay out all parts to your mount and match them to the parts list provided. Verify that you have all your parts before attempting to assemble the mount.

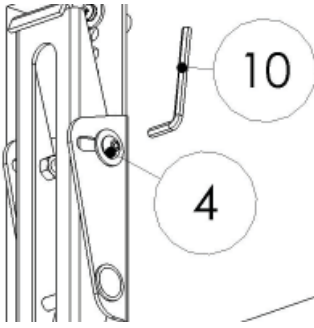
Step 2

Mark the wall or desired mounting surface in preparation of installation of the wall plate ①. Pre-drill in necessary and mount the wall plate ① to the desired mounting surface.

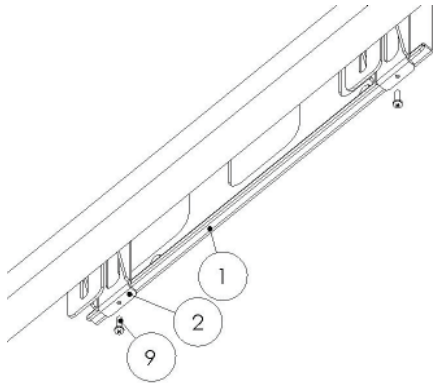
Warning: Please verify that your mounting surface will support the combined weight of your mount, mounting hardware, and monitor. Also verify that the mounting surface is safe to drill through. If in doubt, please contact a professional installer.

Step 3

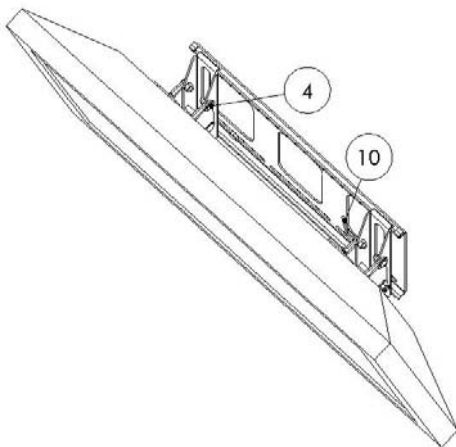
Determine the correct screw size and if you need to use washers, lock washers, or spacers. **Note:** Spacers are used for TVs with recessed hole patterns. Secure the display to the screen mount bracket ③ using the appropriate hardware ⑪ through ⑳. **Note:** The brackets have to be level with each other to work properly.



Step 4: Adjusting the tilt tension before placing the screen on the wall



Step 5: Securing the pivot brackets to the wall plate



Step 6: Adjusting the tilt tension after placing the screen on the wall

Step 4

Adjust the tilt tension by tightening the socket head screws (4) with the M5 Allen Key (10) so they are fairly tight. **Note: You may have to adjust the tilt tension once the flat screen is on the wall so do not tighten as hard as you can because it will make further adjustment on the wall much more difficult.**

Step 5

Use the hooks on the pivot bracket (2) to hook on the top rail of the wall plate (1). Use the M5 screws (9) to secure the TV to the wall plate (1) and to secure its horizontal position.

Step 6

If you need to adjust the tilt tension:

Tilt down the flat screen as far as it will go. **Note: This is done to give you room to work with behind the flat screen.** Take the M5 Allen Key (10) and tighten down the socket screws (4) until you have achieved the desired tilt tension and readjust the tilt to the desired angle.

Please verify that all nuts and screws are securely tightened.

Enjoy Your Mount!

WARNING: The installer of these products must verify that the mounting surface, ceiling or wall, will safely support the combined weight of all attached equipment and hardware. Video Mount Products will not be held liable for the improper use or installation of its products.

VMP
VIDEO MOUNT PRODUCTS