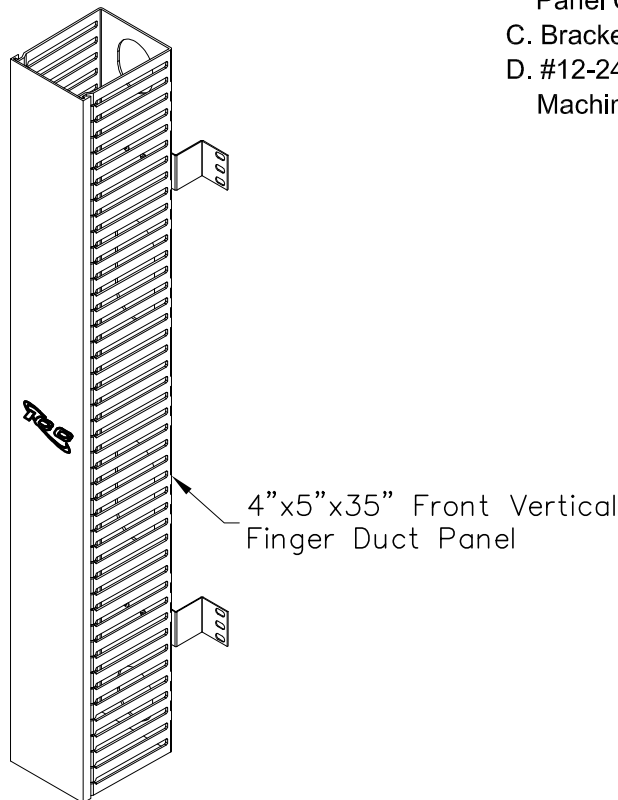


4"x5"x35" Front Vertical Finger Duct Panel

PRODUCT SPECIFICATION

Package includes:

- A. 4"x5"x35" Vertical Finger Duct Panel, 1 pc
- B. 4"x5"x35" Vertical Finger Duct Panel Cover, 1 pc
- C. Bracket, 2 pcs
- D. #12-24 x 5/8" Pan Head, Pilot Point Machine Screw, 4 pcs



Features and Benefits:

- Provides flexibility for vertical cable management for the front of a rack
- Equipped with feed-through holes on the back side for easier cable routing from front to back or back to front
- Includes a cover to conceal routed cables providing a neat and clean appearance
- Compatible with all ICC distribution racks.

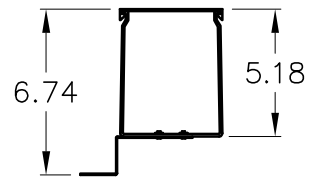
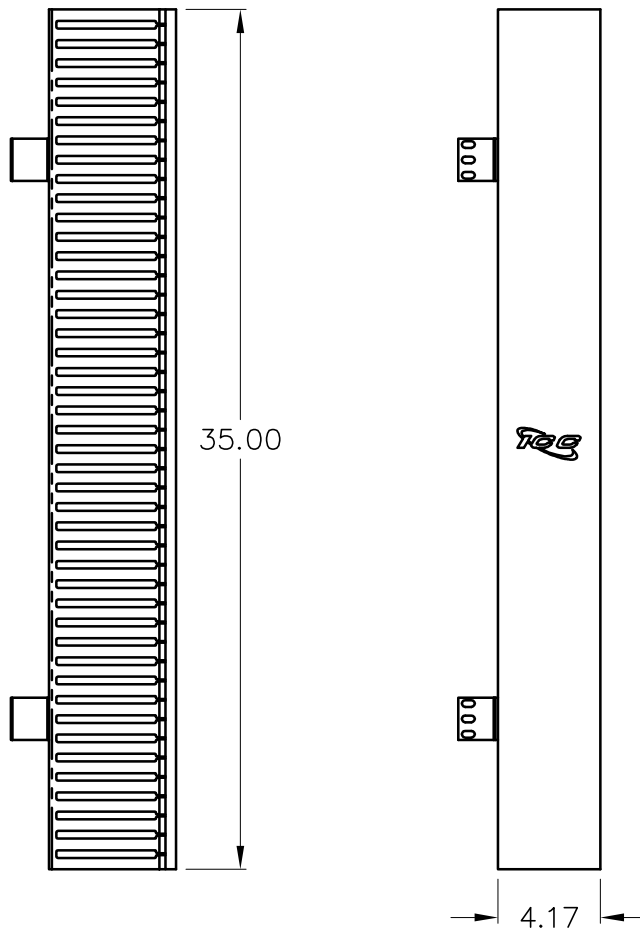
PANEL, VERTICAL FINGER DUCT, FRONT, 35"H 4X5

ITEM NO.	ICCMSCMA21
DWG NO.	PSCMSCMA21

REV.	B
PAGE NO.	1



CUSTOMER CARE / TECHNICAL SUPPORT * CSR@ICC.COM / 888-ASK-4-ICC (275-4422) * 14700 Alondra Blvd., La Mirada, CA 90638 * www.icc.com



NOTE: UNLESS OTHERWISE SPECIFIED

1. DUCT PANEL:
 - A. MATERIAL: PVC, UL 94V-0
 - B. FINISH: TEXTURE, BLACK
2. PANEL COVER:
 - A. MATERIAL: PVC, UL 94V-0
 - B. COLOR: BLACK
3. BRACKET:
 - A. MATERIAL: 16 GA CRS
 - B. SUFACE FINISH: BLACK POWDER COAT

PANEL, VERTICAL FINGER DUCT, FRONT, 35"H 4X5

ITEM NO.	ICCMSCMA21
DWG NO.	PSCMSCMA21

REV.	B
PAGE NO.	2



CUSTOMER CARE / TECHNICAL SUPPORT * CSR@ICC.COM / 888-ASK-4-ICC (275-4422) * 14700 Alondra Blvd., La Mirada, CA 90638 * www.icc.com