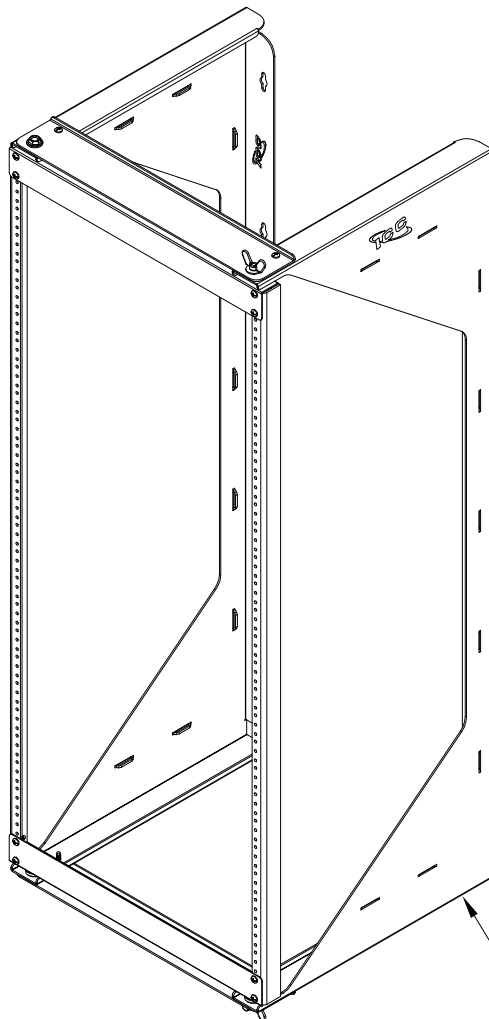


# 25 RMS Wall Mount Swing Frame Rack

## PRODUCT SPECIFICATION




Wall Mount Swing Frame Rack

### Package includes:

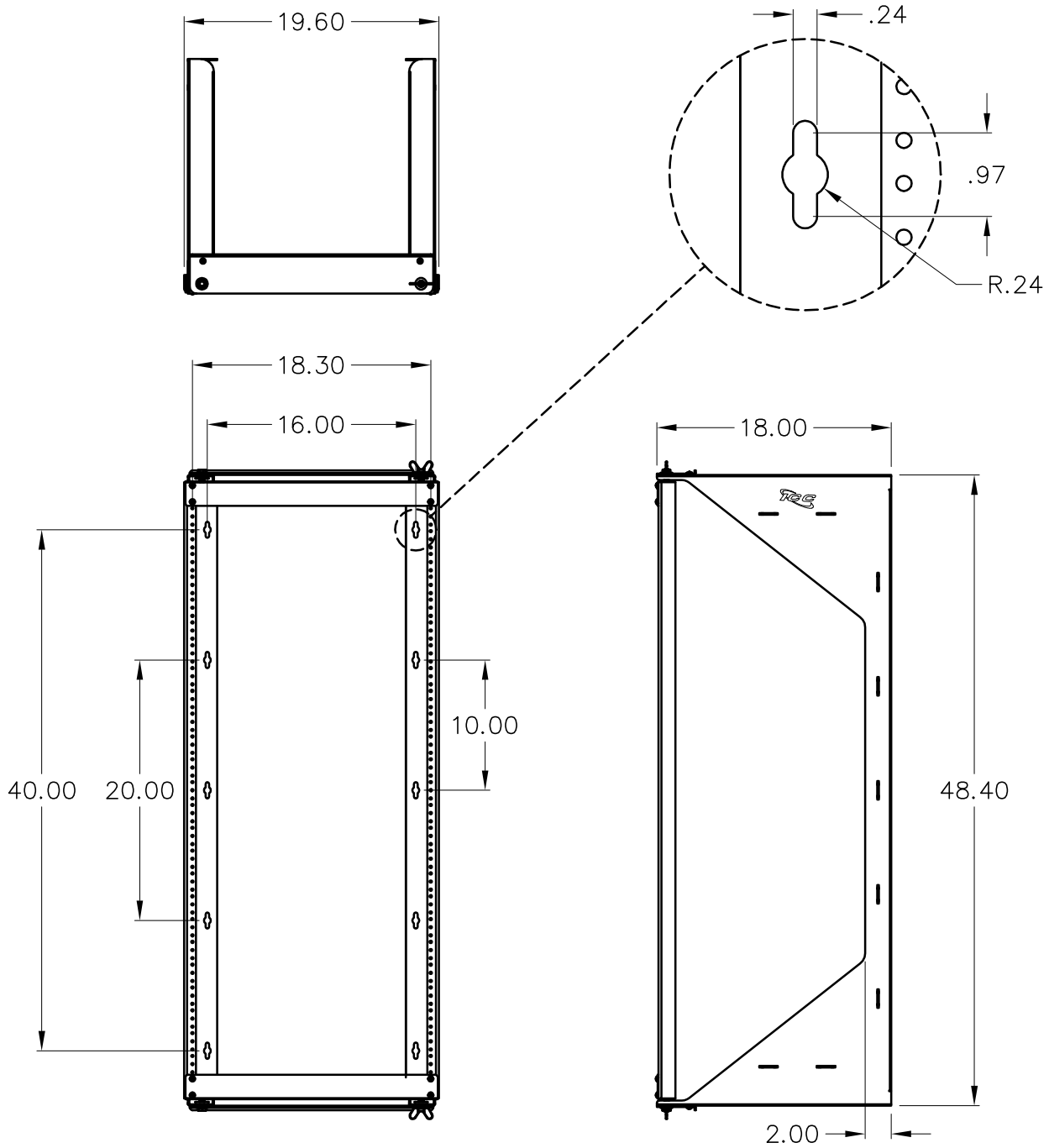
- A. Arm & Frame Assembly, 1 pc
- B. Arm, 1 pc
- C. #12-24 x 5/8" Pan Head, Pilot Point Machine Screw, 50 pcs
- D. Wing Bolt, 2 pcs
- E. PVC Washer, 2 pcs
- F. Assembly Instructions, 1 sheet

### Features and Benefits:

- Designed with durable steel construction, black textured powder coated, supports up to 85 pounds of equipment
- Designed with a 18" depth making it ideal for installing voice and data equipment such as patch panels, active components, shelves, drawers, and cable management products creating a neat structured and organized cabling system
- Reversible installation allows installers to swing the gate left or right after installation providing easy access to equipment
- Ideal for installations with space limitations prohibiting the use of floor mount racks
- Used with many of ICC's rack mount products

<b>RACK, WALL MOUNT SWING FRAME, 25 RMS</b>		 <i>Premium Products</i> <i>Proven Performance</i> <i>Competitive Prices</i>	
ITEM NO.	ICCMSSFR25		REV. A
DWG NO.	PSCMSSFR25		PAGE NO. 1

CUSTOMER CARE / TECHNICAL SUPPORT \* CSR@ICC.COM / 888-ASK-4-ICC (275-4422) \* 14700 Alondra Blvd., La Mirada, CA 90638 \* www.icc.com




**NOTE: UNLESS OTHERWISE SPECIFIED**

1. MATERIAL:

A. MAIN BODY ASSEMBLY:

- ARMS: 12 GA CRS
- FRONT SUPPORT BRACKET: 16 GA CRS
- TOP & BOTTOM SUPPORT: 12 GA CRS
- SIDE RAILS: 11 GA CRS

2. SURFACE FINISH: BLACK TEXTURED POWDER COAT

<b>RACK, WALL MOUNT SWING FRAME, 25 RMS</b>		 Premium Products Proven Performance Competitive Prices
ITEM NO.	ICCMSSFR25	
DWG NO.	PSCMSSFR25	PAGE NO. 2

CUSTOMER CARE / TECHNICAL SUPPORT \* CSR@ICC.COM / 888-ASK-4-ICC (275-4422) \* 14700 Alondra Blvd., La Mirada, CA 90638 \* www.icc.com