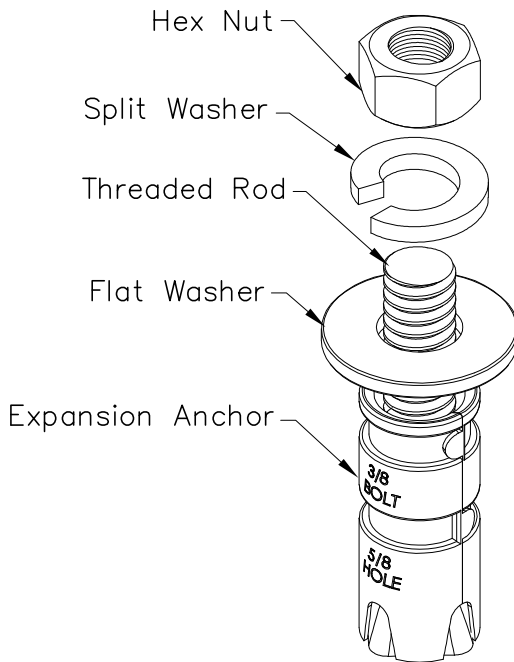


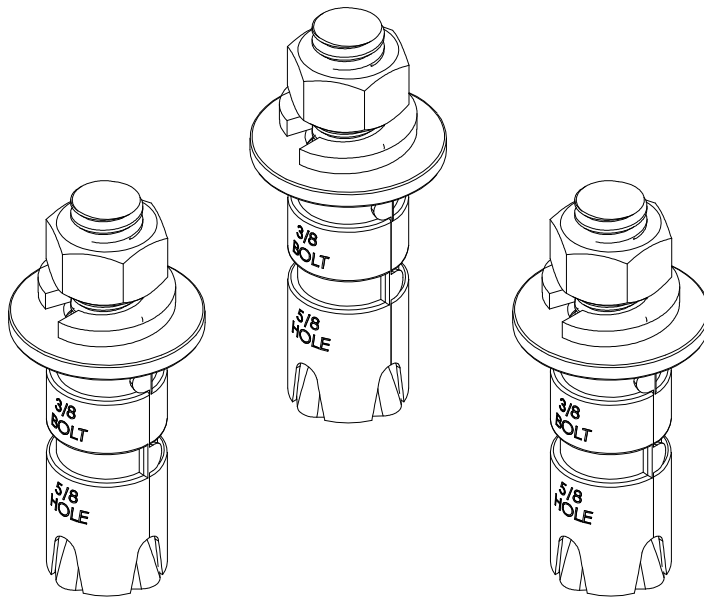
Concrete Floor/Wall Rack Install Kit

PRODUCT SPECIFICATION



Package includes:

- A. 3/8-16 Expansion Anchor, 4 pcs
- B. 3/8 x 2.25" Threaded Rod, 4 pcs
- C. 3/8 Flat Washer, 4 pcs
- D. 3/8-16 Hex Nut, 4 pcs
- E. 3/8 Split Lockwasher, 4 pcs



Features and Benefits:

- Designed to securely anchor ICC's Distribution Rack and Cable Management Rack to concrete block, brick, and stone.
- Strong and durable with the capacity to withstand 1200lbs of tension load when installed as a kit.
- Recommended for floor mounting but can be used as wall mountable.
- Caulking not required which allows for anchor to be removed after service.

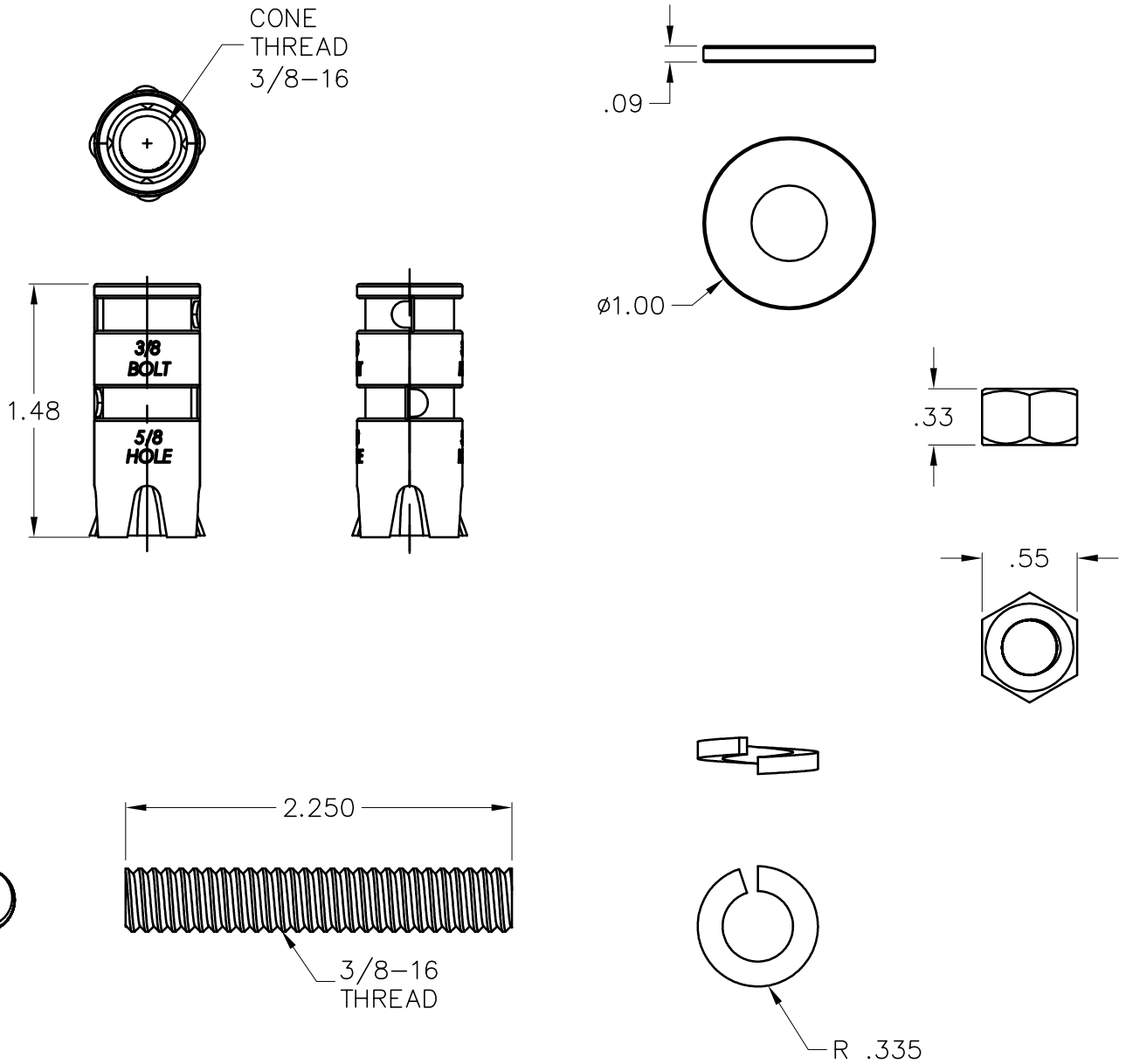
RACK INSTALL KIT, FLOOR/WALL, CONCRETE

ITEM NO. ICCMSRFLKT
 DWG NO. PSCMSRFLKT

REV. B
 PAGE NO. 1



CUSTOMER CARE / TECHNICAL SUPPORT * CSR@ICC.COM / 888-ASK-4-ICC (275-4422) * 14700 Alondra Blvd., La Mirada, CA 90638 * www.icc.com



NOTE: UNLESS OTHERWISE SPECIFIED

- 1. MATERIAL:
 - A. ANCHOR: ZAMAC ALLOY
- 2. THREAD:
 - A. 3/8-16
- 3. LOAD CAPACITY:
 - A. 1200LBS

ROD/ANCHOR ϕ	DRILL DIAMETER	MIN. HOLE DEPTH
3/8"	5/8"	1 5/8"

RACK INSTALL KIT, FLOOR/WALL, CONCRETE			
ITEM NO.	ICCMSRFLKT		REV. B
DWG NO.	PSCMSRFLKT		PAGE NO. 2

CUSTOMER CARE / TECHNICAL SUPPORT * CSR@ICC.COM / 888-ASK-4-ICC (275-4422) * 14700 Alondra Blvd., La Mirada, CA 90638 * www.icc.com