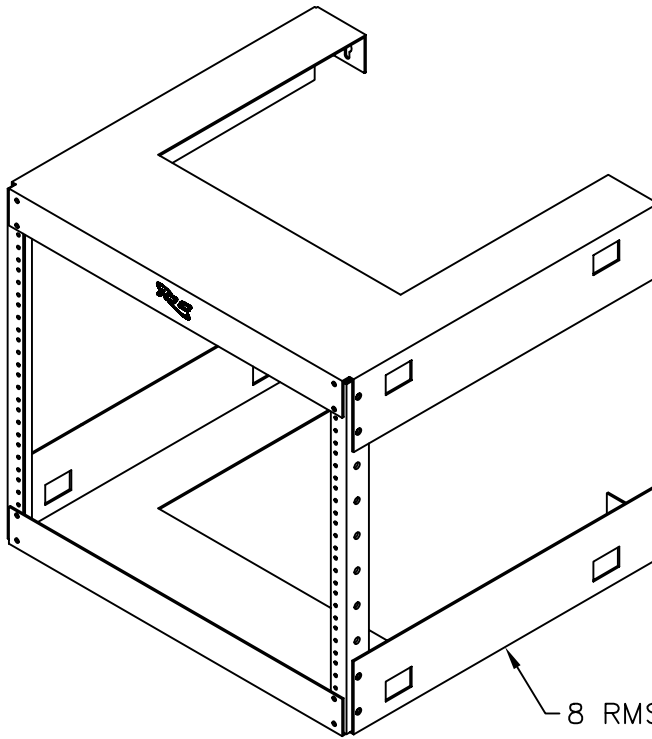


Wall Mount Rack, 8 RMS

PRODUCT SPECIFICATION

Package includes:

- A. Top Support, 1 pc
- B. Bottom Support, 1 pc
- C. Side Rail, 2 pcs
- D. 5/16-18 UNC Serrated Flange
Hex Nut, 8 pcs
- E. #12-24 x 5/8" Pan Head, Pilot Point
Machine Screw, 25 pcs
- F. Assembly Instructions, 1 sheet



8 RMS Wall Mount Rack

Features and Benefits:

- Designed with durable steel construction, black textured powder coated, supports up to 125 pounds of equipment
- Designed with an 18" depth making it ideal for installing voice and data equipment such as patch panels, active components, shelves, drawers, and cable management products creating a neat structured and organized cabling system
- Ideal for small data and telecom installations where space limitations prohibit the use of floor mount racks
- 8 rack mount space (RMS)
- Used with all ICC rack mount products
- Assembly instructions #MPR-0400 included

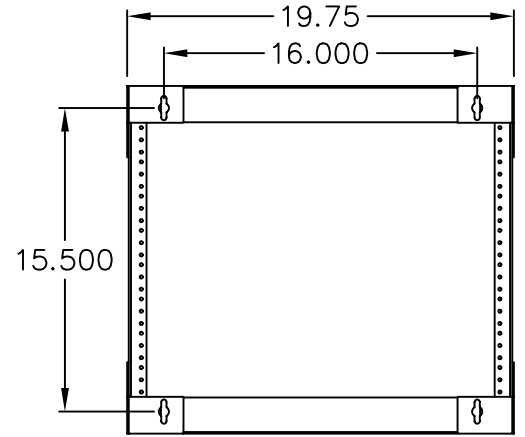
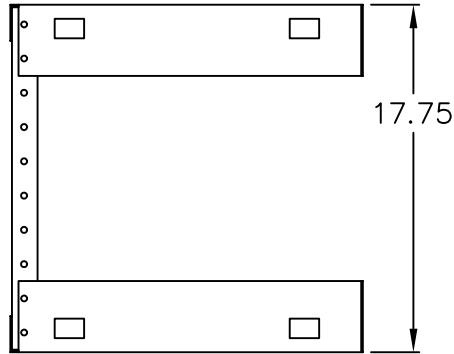
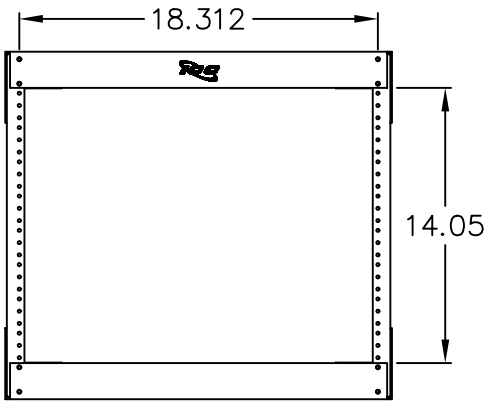
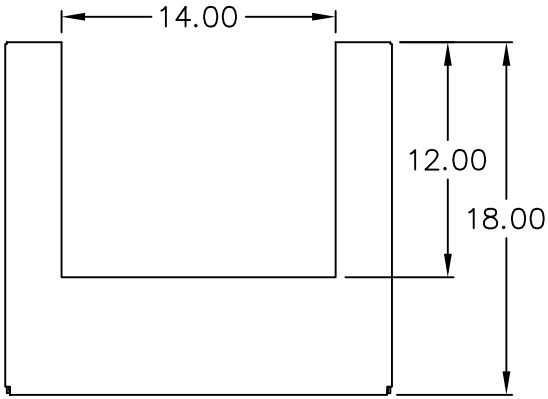
RACK, WALL MOUNT, 18" DEEP, 8 RMS

ITEM NO.	ICCMSWMR08
DWG NO.	PSCMSWMR08

REV.	B
PAGE NO.	1




CUSTOMER CARE / TECHNICAL SUPPORT * CSR@ICC.COM / 888-ASK-4-ICC (275-4422) * 14700 Alondra Blvd., La Mirada, CA 90638 * www.icc.com



NOTE: UNLESS OTHERWISE SPECIFIED

1. MATERIAL:
 - A. TOP & BOTTOM SUPPORT: 14 GA CRS
 - B. SIDE RAILS: 11 GA CRS
2. SURFACE FINISH: BLACK TEXTURED POWDER COAT

RACK, WALL MOUNT, 18" DEEP, 8 RMS		 PremiumProducts ProvenPerformance CompetitivePrices	
ITEM NO.	ICCMSWMR08		REV. B
DWG NO.	PSCMSWMR08		PAGE NO. 2

CUSTOMER CARE / TECHNICAL SUPPORT * CSR@ICC.COM / 888-ASK-4-ICC (275-4422) * 14700 Alondra Blvd., La Mirada, CA 90638 * www.icc.com