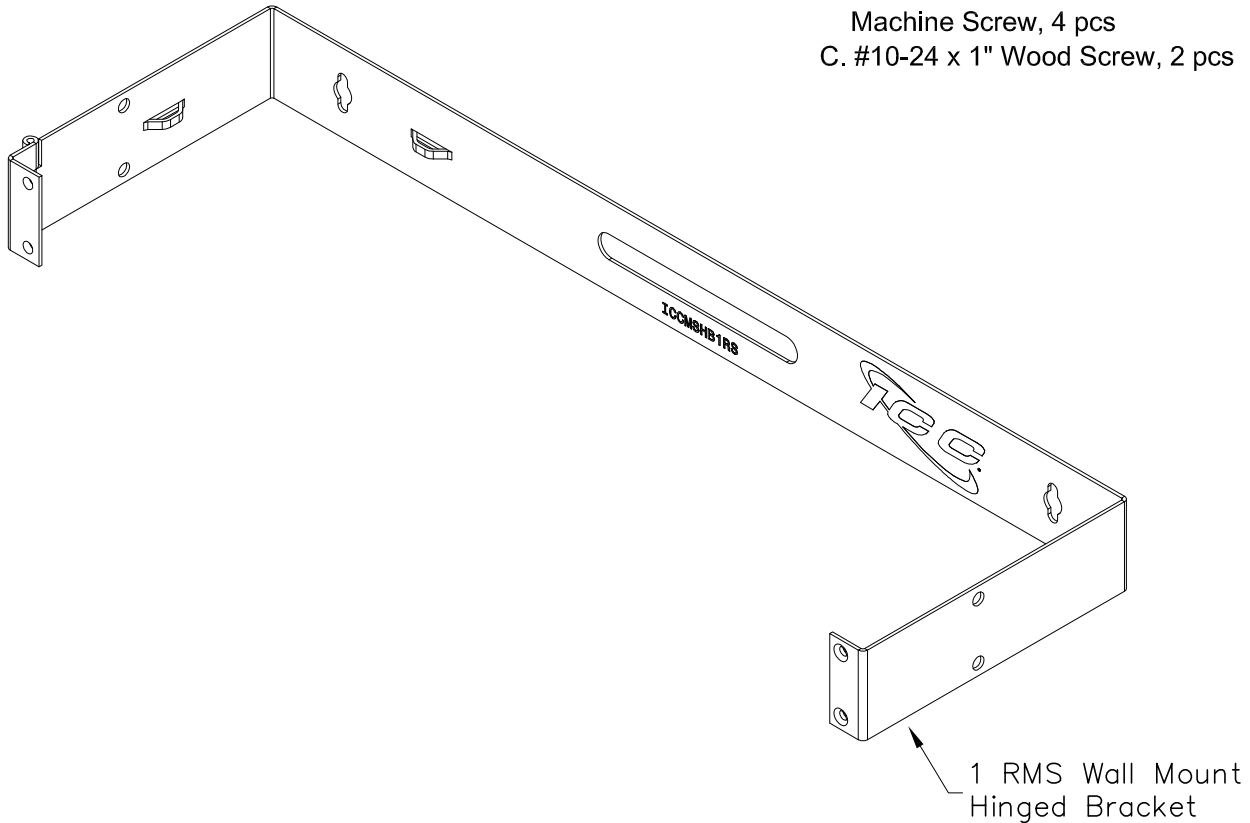


Wall Mount Hinged Bracket, 1 RMS

PRODUCT SPECIFICATION


Package includes:

- A. 1 RMS Wall Mount Hinged Bracket, 1 pc
- B. #12-24 x 5/8" Pan Head, Pilot Point Machine Screw, 4 pcs
- C. #10-24 x 1" Wood Screw, 2 pcs

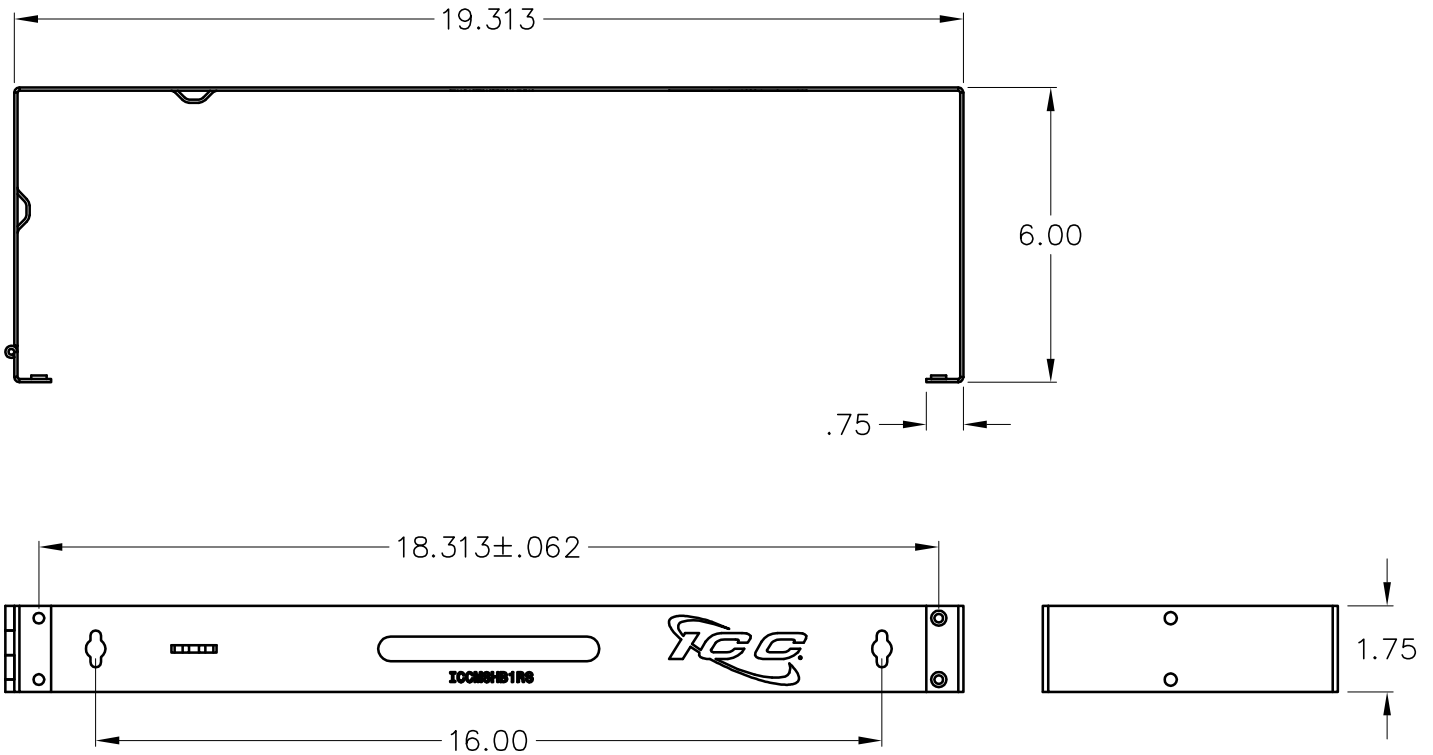


Features and Benefits:

- Designed with steel construction, black powder coated, light weight and sturdy
- Designed with a 6" depth making it ideal for installing voice and data equipment such as patch panels, light weight active components, shelves, drawers, and cable management products creating an organized system
- Allows easy access during and after the installation
- Ideal for installations with space restrictions
- 1 rack mount space (RMS)
- Used with ICC rack mount products


BRACKET, WALL MOUNT HINGED, 1 RMS		 <i>Premium</i> Products <i>Proven</i> Performance <i>Competitive</i> Prices	
ITEM NO.	ICCMSHB1RS		REV. C
DWG NO.	PSCMSHB1RS		PAGE NO. 1

CUSTOMER CARE / TECHNICAL SUPPORT * CSR@ICC.COM / 888-ASK-4-ICC (275-4422) * 14700 Alondra Blvd., La Mirada, CA 90638 * www.icc.com



NOTE: UNLESS OTHERWISE SPECIFIED

- 1. MATERIAL: 16 GA CRS
- 2. SURFACE FINISH: BLACK POWDER COAT

BRACKET, WALL MOUNT HINGED, 1 RMS		 Premium Products Proven Performance Competitive Prices
ITEM NO.	ICCMSHB1RS	
DWG NO.	PSCMSHB1RS	PAGE NO. 2

CUSTOMER CARE / TECHNICAL SUPPORT * CSR@ICC.COM / 888-ASK-4-ICC (275-4422) * 14700 Alondra Blvd., La Mirada, CA 90638 * www.icc.com