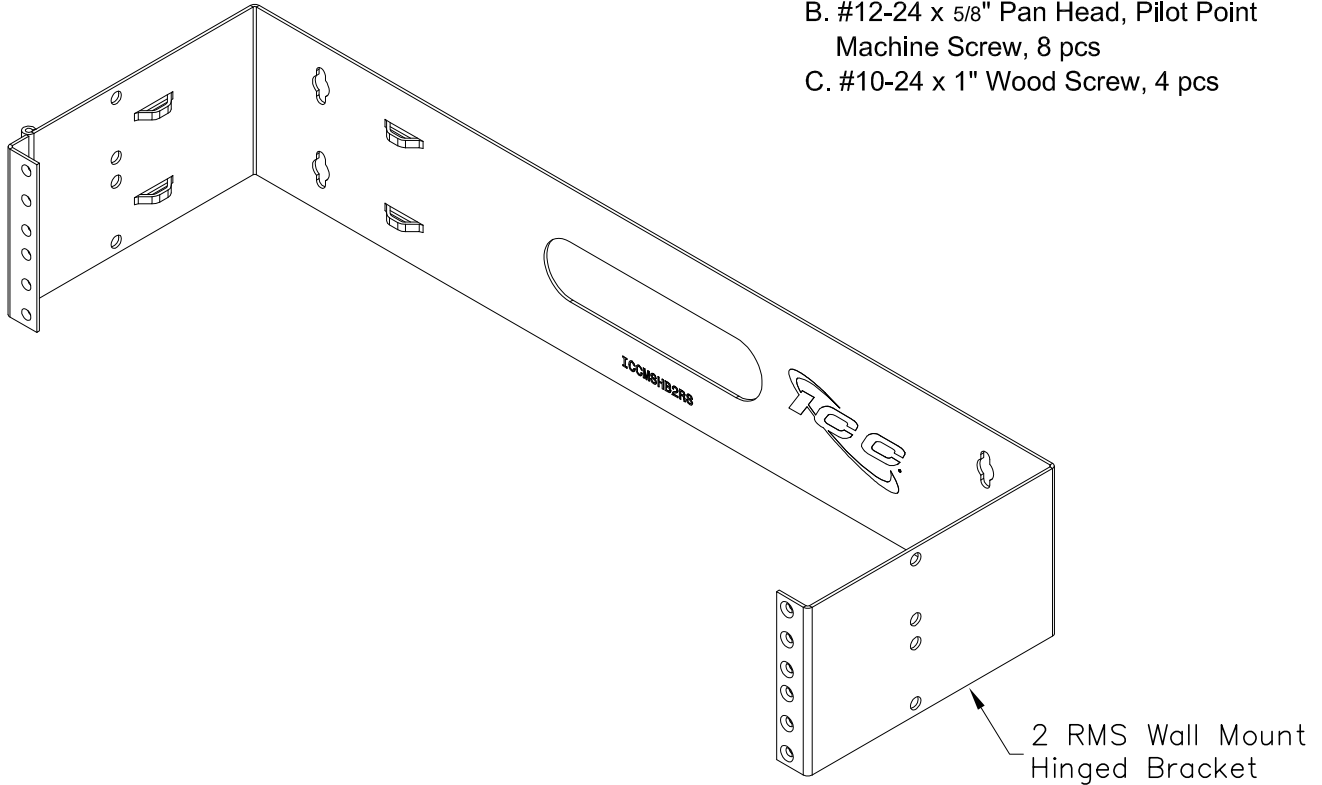


# Wall Mount Hinged Bracket, 2 RMS

## PRODUCT SPECIFICATION


### Package includes:

- A. 2 RMS Wall Mount Hinged Bracket, 1 pc
- B. #12-24 x 5/8" Pan Head, Pilot Point Machine Screw, 8 pcs
- C. #10-24 x 1" Wood Screw, 4 pcs

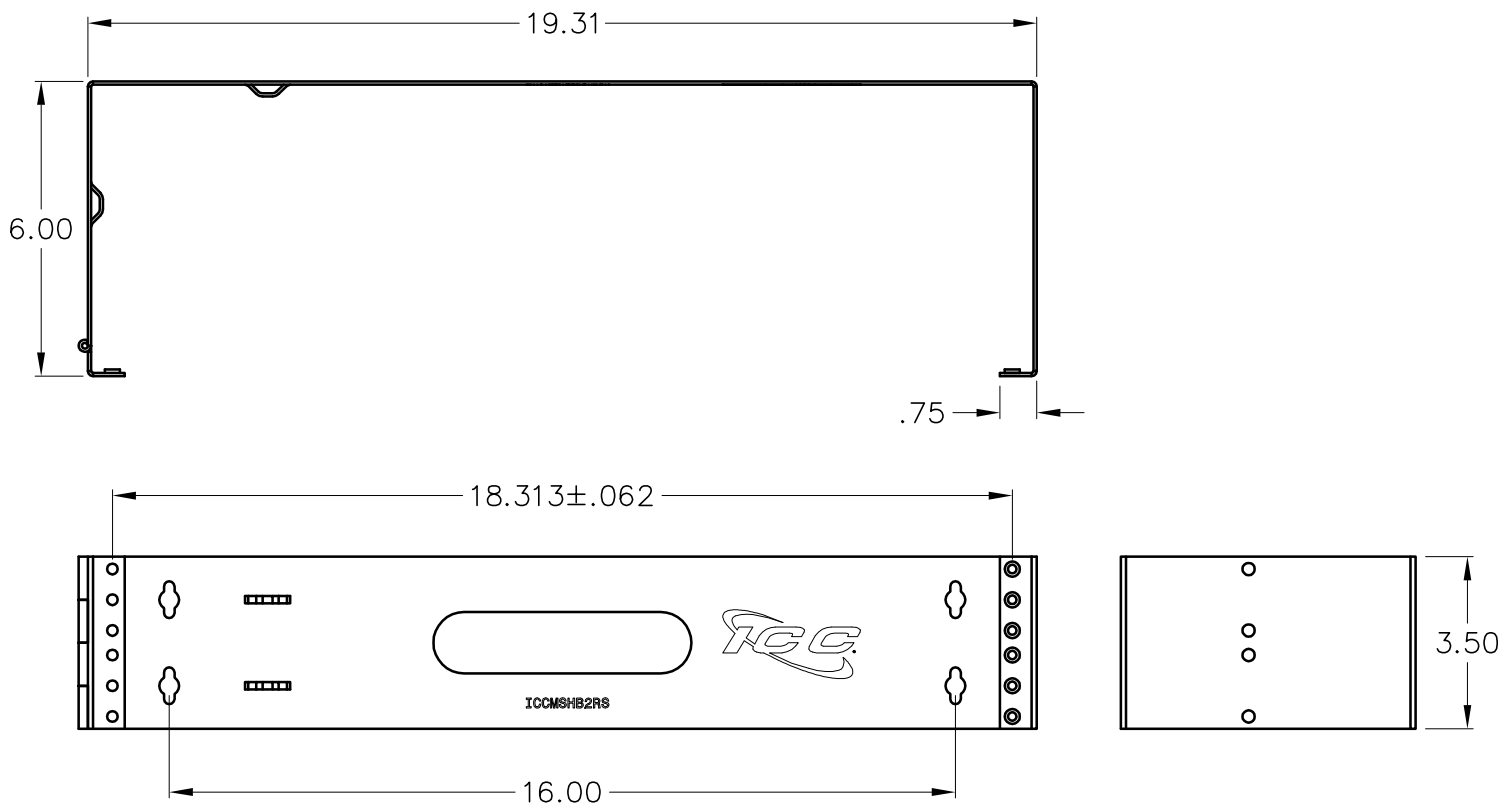


### Features and Benefits:

- Designed with steel construction, black powder coated, light weight and sturdy
- Designed with a 6" depth making it ideal for installing voice and data equipment such as patch panels, light weight active components, shelves, drawers, and cable management products creating an organized system
- Allows easy access during and after the installation
- Ideal for installations with space restrictions
- 2 rack mount space (RMS)
- Used with ICC rack mount products


<b>BRACKET, WALL MOUNT HINGED, 2 RMS</b>		 <i>Premium Products</i> <i>Proven Performance</i> <i>Competitive Prices</i>	
ITEM NO.	ICCMSHB2RS		REV. C
DWG NO.	PSCMSHB2RS		PAGE NO. 1

CUSTOMER CARE / TECHNICAL SUPPORT \* CSR@ICC.COM / 888-ASK-4-ICC (275-4422) \* 14700 Alondra Blvd., La Mirada, CA 90638 \* www.icc.com



**NOTE: UNLESS OTHERWISE SPECIFIED**

1. MATERIAL: 16 GA CRS
2. SURFACE FINISH: BLACK POWDER COAT

<b>BRACKET, WALL MOUNT HINGED, 2 RMS</b>		 <i>Premium Products</i> <i>Proven Performance</i> <i>Competitive Prices</i>	
ITEM NO.	ICCMSHB2RS		REV. C
DWG NO.	PSCMSHB2RS	PAGE NO.	2

CUSTOMER CARE / TECHNICAL SUPPORT \* CSR@ICC.COM / 888-ASK-4-ICC (275-4422) \* 14700 Alondra Blvd., La Mirada, CA 90638 \* www.icc.com