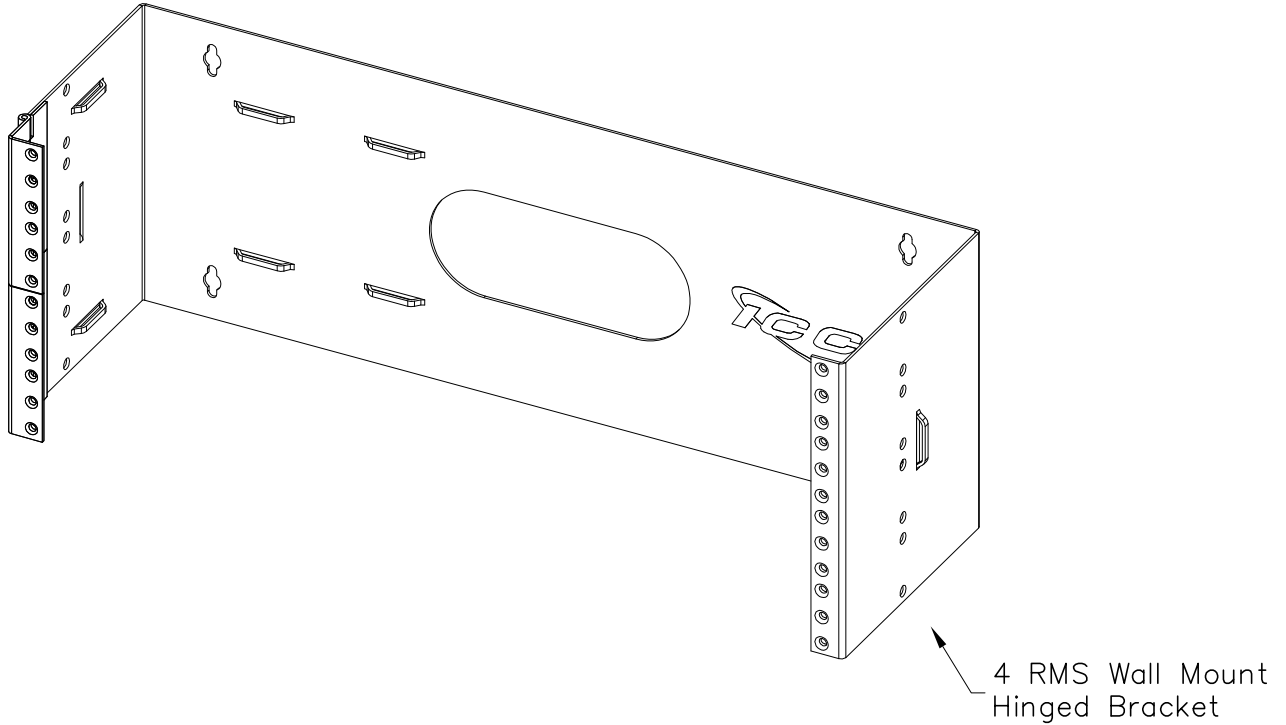


Wall Mount Hinged Bracket, 4 RMS

PRODUCT SPECIFICATION

Package includes:

- A. 4 RMS Wall Mount Hinged Bracket, 1 pc
- B. #12-24 x 5/8" Pan Head, Pilot Point Machine Screw, 16 pcs



Features and Benefits:

- Designed with steel construction, black powder coated, light weight and sturdy.
- Designed with a 6" depth making it ideal for installing voice and data equipment such as patch panels, light weight active components, shelves, drawers, and cable management products creating an organized system.
- Divided hinge allows easy access .
- Ideal for installations with space restrictions.
- 4 rack mount space (RMS).
- Compatible with top cover (ICCMShBCVR).

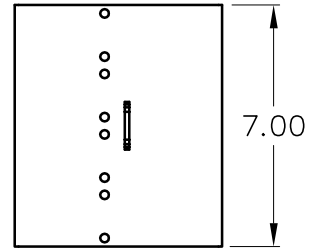
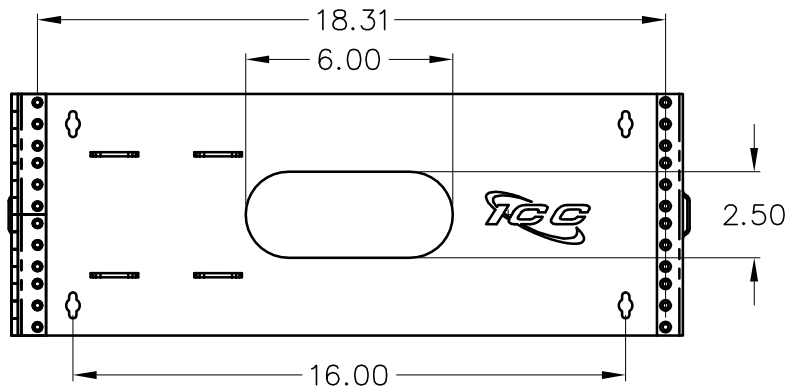
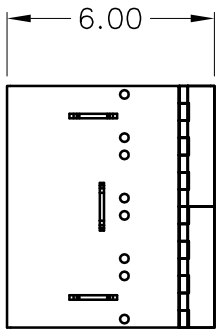
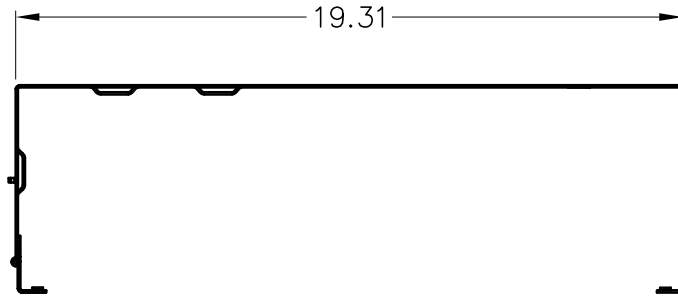
BRACKET, WALL MOUNT HINGED, 4 RMS

ITEM NO. ICCMSHB4RS
 DWG NO. PSCMSHB4RS

REV. B
 PAGE NO. 1




CUSTOMER CARE / TECHNICAL SUPPORT * CSR@ICC.COM / 888-ASK-4-ICC (275-4422) * 14700 Alondra Blvd., La Mirada, CA 90638 * www.icc.com



NOTE: UNLESS OTHERWISE SPECIFIED

1. MATERIAL: 16 GA CRS
2. SURFACE FINISH: BLACK POWDER COAT

BRACKET, WALL MOUNT HINGED, 4 RMS		 <i>PremiumProducts</i> <i>ProvenPerformance</i> <i>CompetitivePrices</i>	
ITEM NO.	ICCMSHB4RS		REV. B
DWG NO.	PSCMSHB4RS	PAGE NO.	2

CUSTOMER CARE / TECHNICAL SUPPORT * CSR@ICC.COM / 888-ASK-4-ICC (275-4422) * 14700 Alondra Blvd., La Mirada, CA 90638 * www.icc.com