



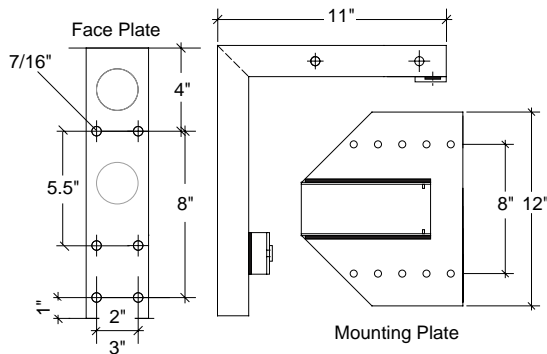
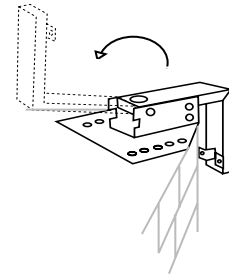
PA2

DESCRIPTION

The PA2 is designed to allow camera housings to be mounted below the roofline. There is a pivot point on the mount, allowing the unit to be flipped back over the roof for servicing. The PA2 is compatible with most VIDEOLARM wall mounts which attach directly to the mounting face plate. Can not be used with the WM1200, 9000HW or DECO1.

FEATURES

- Lowers dome below roof line, flips back over roof for servicing
- Heavy-gauge steel for maximum stability
- Durable powder coat finish
- 150 lb load rating



SHIPPING SPECIFICATIONS

Model	Unit Weight	Shipping Weight	Shipping Box Dim.
PA2	16 lbs	16 Grd/16 Air	14 x 14 x 14

* Shipping weights depend on box dimensions.

DESCRIPTION

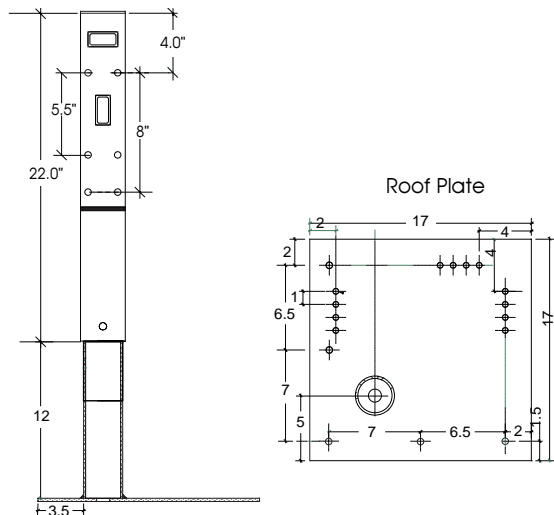
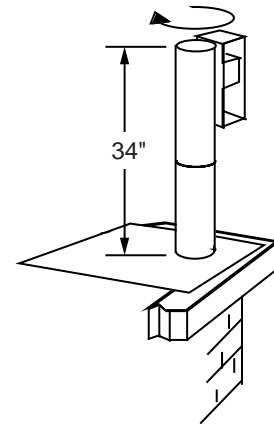
The SRCW2000 heavy duty mount is designed for either parapet or flat roof applications, allowing the camera to be raised above the roofline. Service can be accomplished by rotating the unit in over the roof. Most VIDEOLARM wall mounts which attach directly to the mounting face plate are compatible with the SRCW2000. Can not be used with the WM1200, 9000HW or DECO1.



SRCW2000

FEATURES

- Raises camera above roof line, rotates in for servicing camera
- Heavy-gauge steel for maximum stability
- Durable powder coat finish
- 150 lb load rating



SHIPPING SPECIFICATIONS

Model	Unit Weight	Shipping Weight	Shipping Box Dim.
SRCW2000	47 lbs	47 Grd/47 Air	22 x 22 x 16

* Shipping weights depend on box dimensions.