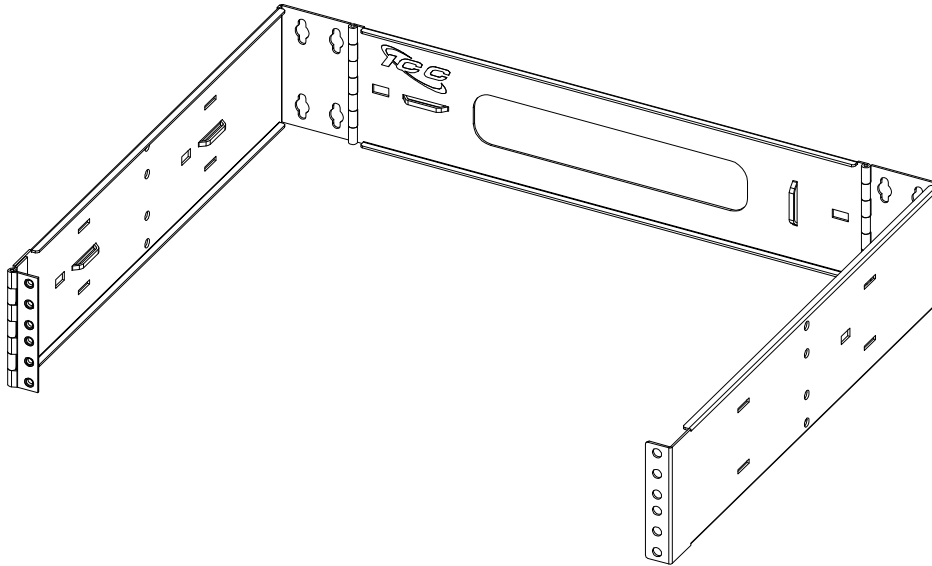


# EZ FOLD Wall Mount Hinged Bracket, 2 RMS

## PRODUCT SPECIFICATION

### Package includes:

- A. Folding Wall Mount Hinged Bracket, 1 pc
- B. #12-24 UNC x  $\frac{5}{8}$ ", Black Oxide, Pan Head, Combination Drive, Pilot Point, Machine Screw, 8 pcs
- C. Installation Instructions, 1 pc



### Features and Benefits:

- Designed with high quality steel and black powder coating.
- Designed with a 15" depth making it ideal for installing voice and data equipment such as patch panels, light weight active components, shelves, drawers, and cable management products creating an organized system.
- Up to 30 lbs weight capacity when properly secured to surface.
- Divided hinge allows easy access for upgrades and maintenance.
- Ideal for installations with space restrictions.
- 2 rack mount space (RMS).
- Compatible with EZFOLD enclosure kit ICCMSABRSC.

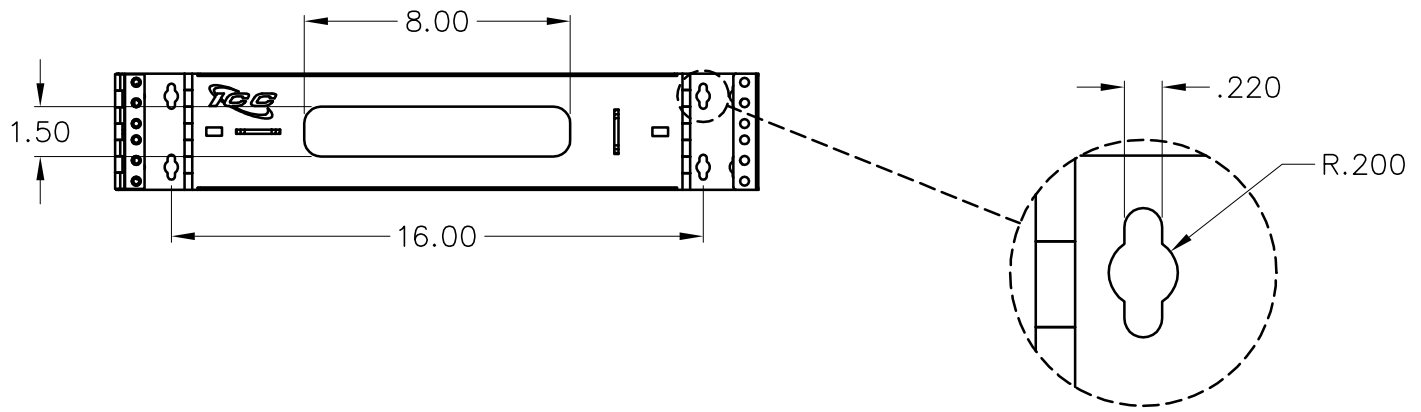
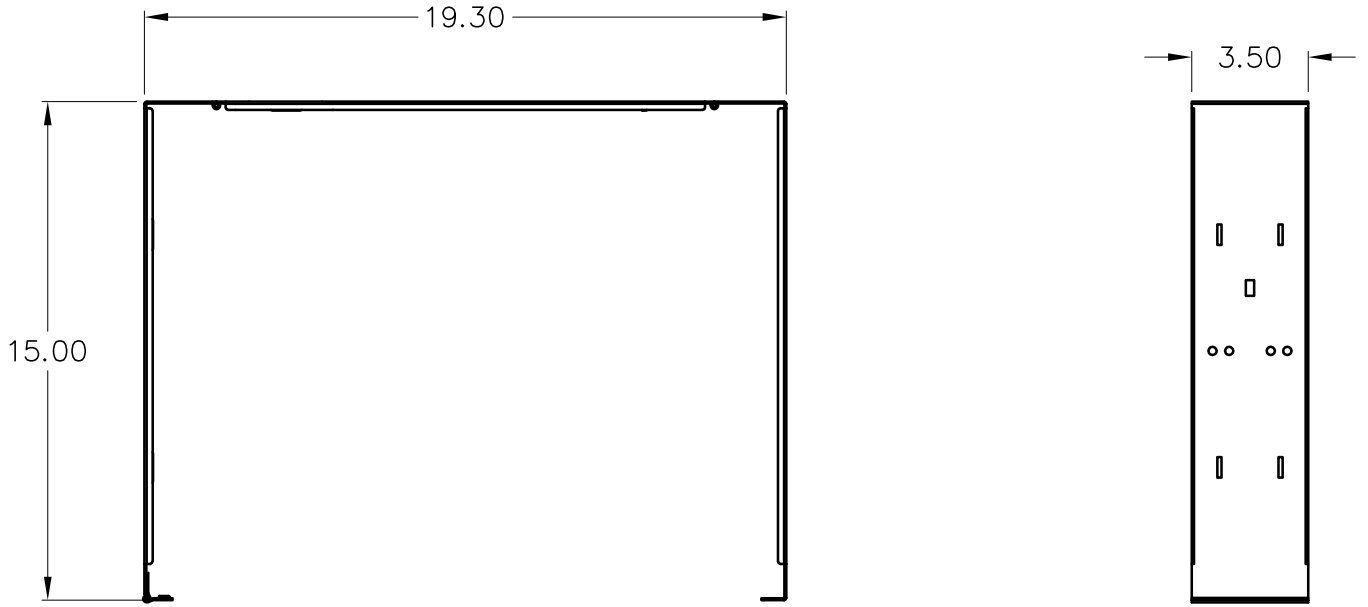
### BRACKET, WALL MNT, EZ-FOLD, 2 RMS

ITEM NO.	ICCMSABRS2
DWG NO.	PSCMSABRS2

REV.	A
PAGE NO.	1




888-ASK-4-ICC (275-4422) \* CSR@ICC.COM \* WWW.ICC.COM



**NOTE: UNLESS OTHERWISE SPECIFIED**

- 1. MATERIAL: 16 GA CRS
- 2. FINISH: BLACK POWDER COAT
- 3. EIA-310-D COMPLIANT

<b>BRACKET, WALL MNT, EZ-FOLD, 2 RMS</b>			
ITEM NO.	ICCMSABRS2		REV. A
DWG NO.	PSCMSABRS2		PAGE NO. 2

888-ASK-4-ICC (275-4422) \* CSR@ICC.COM \* WWW.ICC.COM