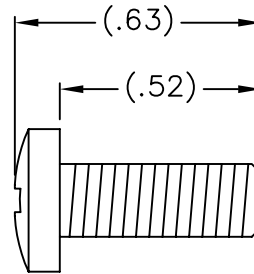
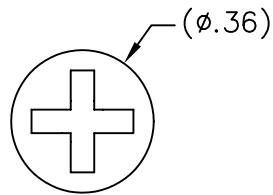
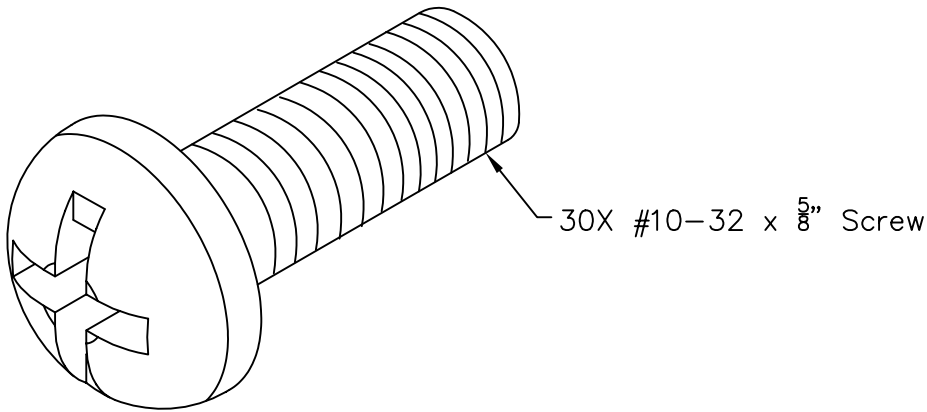


10-32 X 5/8" Rack Screw

PRODUCT SPECIFICATION

Package includes:

A. #10-32 x 5/8" Pan Head, Phillips Drive
Machine Screw, 30 pcs



NOTE: UNLESS OTHERWISE SPECIFIED

1. COLOR: BK-BLACK OXIDE

Features and Benefits:

- Used with racks and rack mount products
- Available in black oxide

RACK SCREW, #10-32X5/8", BLACK, 30 PK

ITEM NO. ICACSS02BK

REV. A

DWG NO. PSACSS02BK

PAGE NO. 1



CUSTOMER CARE / TECHNICAL SUPPORT * CSR@ICC.COM / 888-ASK-4-ICC (275-4422) * 14700 Alondra Blvd., La Mirada, CA 90638 * www.icc.com