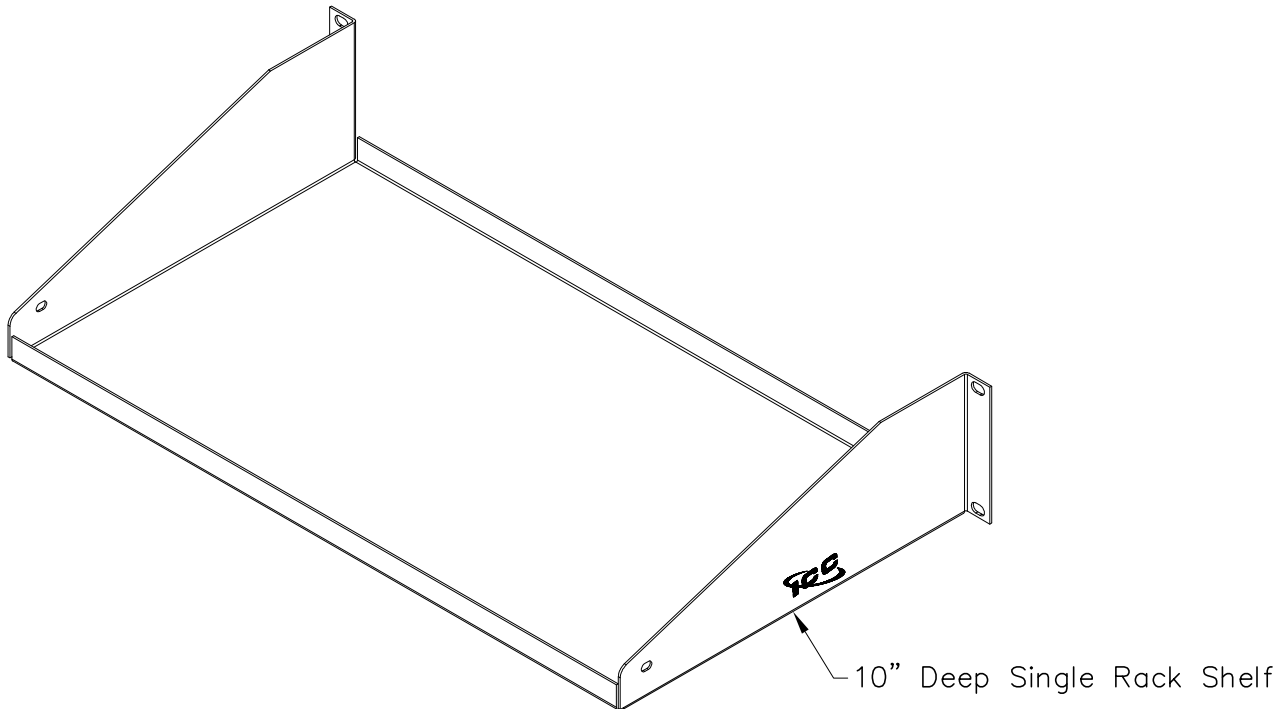


10" Deep Single Rack Shelf

PRODUCT SPECIFICATION

Package includes:

- A. 10" Deep Single Rack Shelf, 1 pc
- B. #12-24 x 5/8" Pan Head, Pilot Point Machine Screw, 4 pcs



Features and Benefits:

- Designed with durable steel construction, black powder coated, accommodates bulky equipment and supports up to 75 lbs. load capacity
- Designed to fit all standard 19" racks and cabinets
- 2 rack mount space (RMS)
- Used with all ICCMS distribution and cable management racks

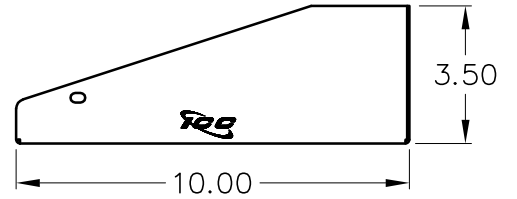
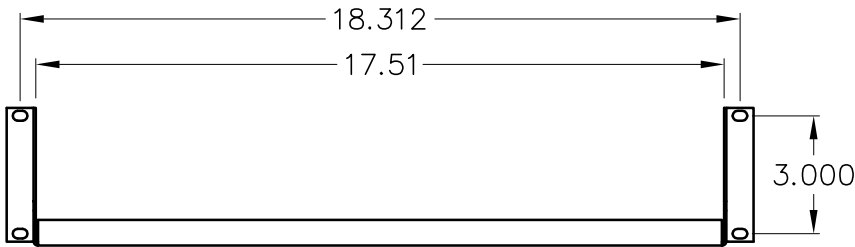
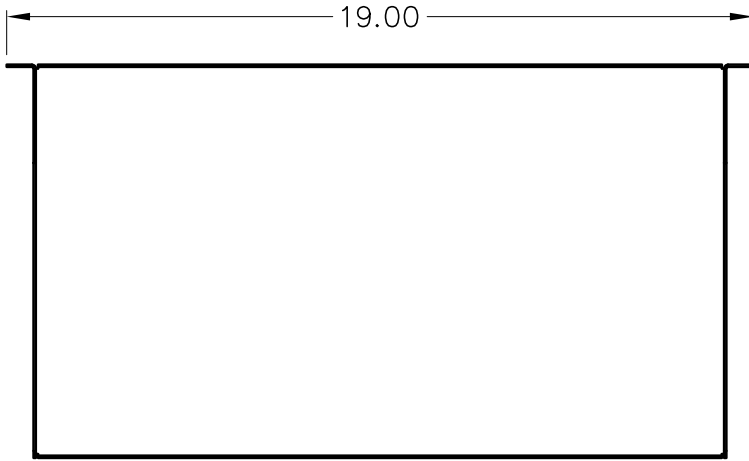
RACK SHELF, 10' DEEP SINGLE, 2 RMS

ITEM NO.	ICCMSRSF10
DWG NO.	PSCMSRSF10

REV.	B
PAGE NO.	1




CUSTOMER CARE / TECHNICAL SUPPORT * CSR@ICC.COM / 888-ASK-4-ICC (275-4422) * 14700 Alondra Blvd., La Mirada, CA 90638 * www.icc.com



NOTE: UNLESS OTHERWISE SPECIFIED

1. MATERIAL: 16 GA CRS
2. SURFACE FINISH: BLACK POWDER COAT

RACK SHELF, 10' DEEP SINGLE, 2 RMS		 <i>Premium Products</i> <i>Proven Performance</i> <i>Competitive Prices</i>	
ITEM NO.	ICCMSRSF10		REV. B
DWG NO.	PSCMSRSF10	PAGE NO.	2

CUSTOMER CARE / TECHNICAL SUPPORT * CSR@ICC.COM / 888-ASK-4-ICC (275-4422) * 14700 Alondra Blvd., La Mirada, CA 90638 * www.icc.com