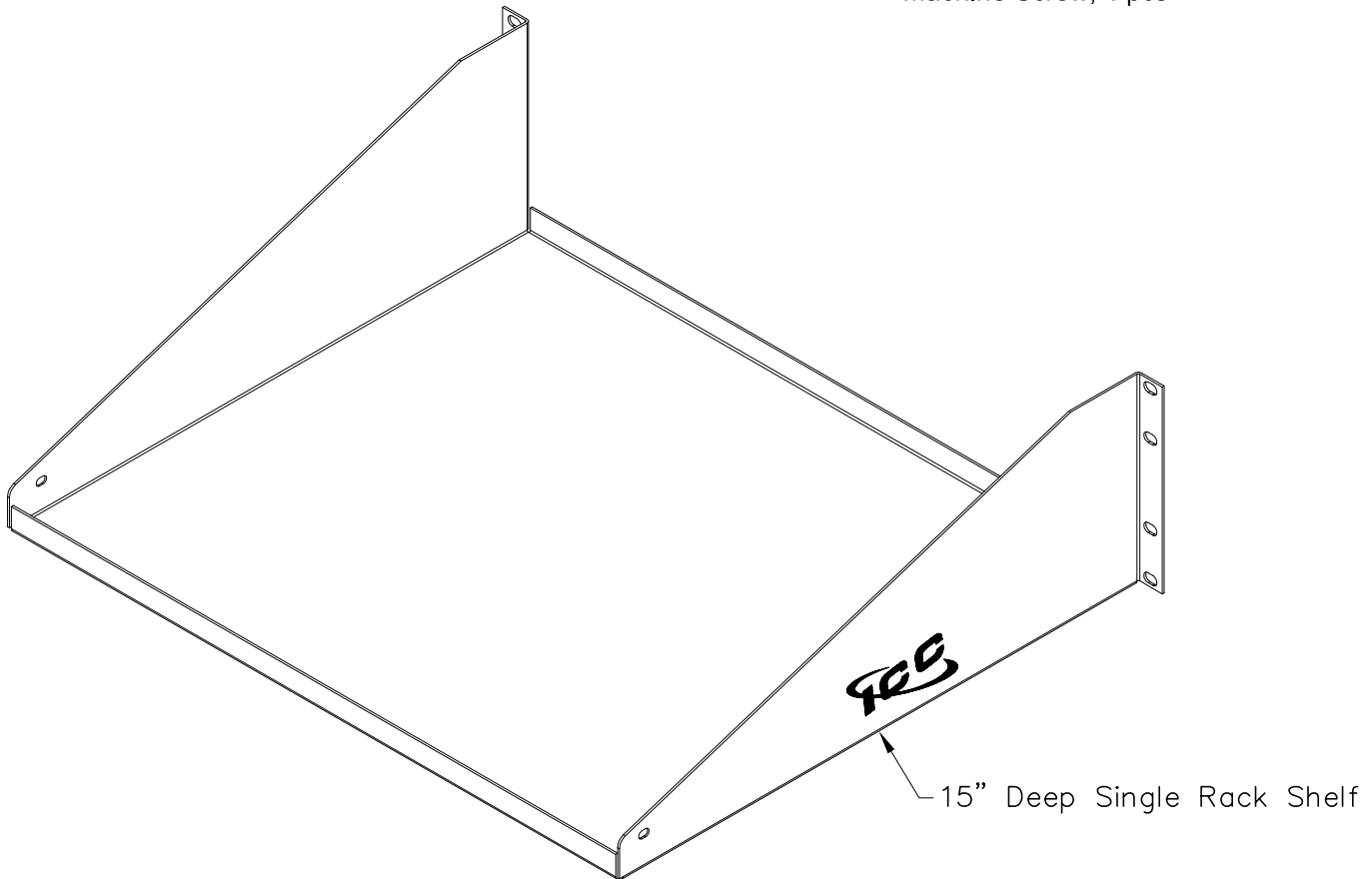


# 15" Deep Single Rack Shelf

## PRODUCT SPECIFICATION


### Package includes:

- A. 15" Deep Single Rack Shelf, 1 pc
- B. #12-24 x 5/8" Pan Head, Pilot Point Machine Screw, 4 pcs

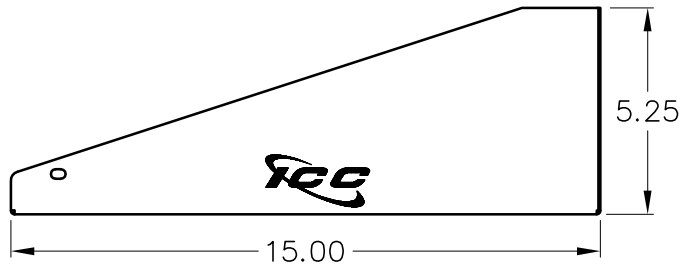
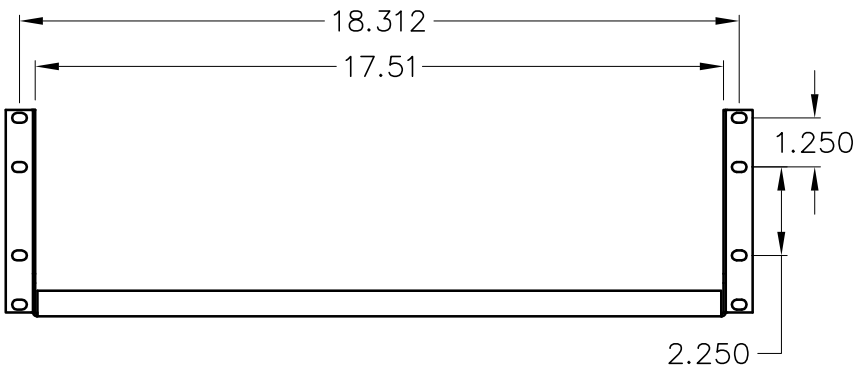


### Features and Benefits:

- Designed with durable steel construction, black powder coated, accommodates bulky equipment with more depth capability and supports up to 75 lbs. load capacity
- Designed to fit all standard 19" racks and cabinets
- 3 rack mount space (RMS)
- Used with all ICCMS distribution and cable management racks


<b>RACK SHELF, 15' DEEP SINGLE, 3 RMS</b>		 <i>Premium Products</i> <i>Proven Performance</i> <i>Competitive Prices</i>	
ITEM NO.	ICCMSRSF15		REV. B
DWG NO.	PSCMSRSF15		PAGE NO. 1

CUSTOMER CARE / TECHNICAL SUPPORT \* CSR@ICC.COM / 888-ASK-4-ICC (275-4422) \* 14700 Alondra Blvd., La Mirada, CA 90638 \* www.icc.com



**NOTE: UNLESS OTHERWISE SPECIFIED**

1. MATERIAL: 16 GA CRS
2. SURFACE FINISH: BLACK POWDER COAT

<b>RACK SHELF, 15' DEEP SINGLE, 3 RMS</b>		 <i>Premium Products</i> <i>Proven Performance</i> <i>Competitive Prices</i>	
ITEM NO.	ICCMSRSF15		REV. B
DWG NO.	PSCMSRSF15	PAGE NO.	2

CUSTOMER CARE / TECHNICAL SUPPORT \* CSR@ICC.COM / 888-ASK-4-ICC (275-4422) \* 14700 Alondra Blvd., La Mirada, CA 90638 \* www.icc.com