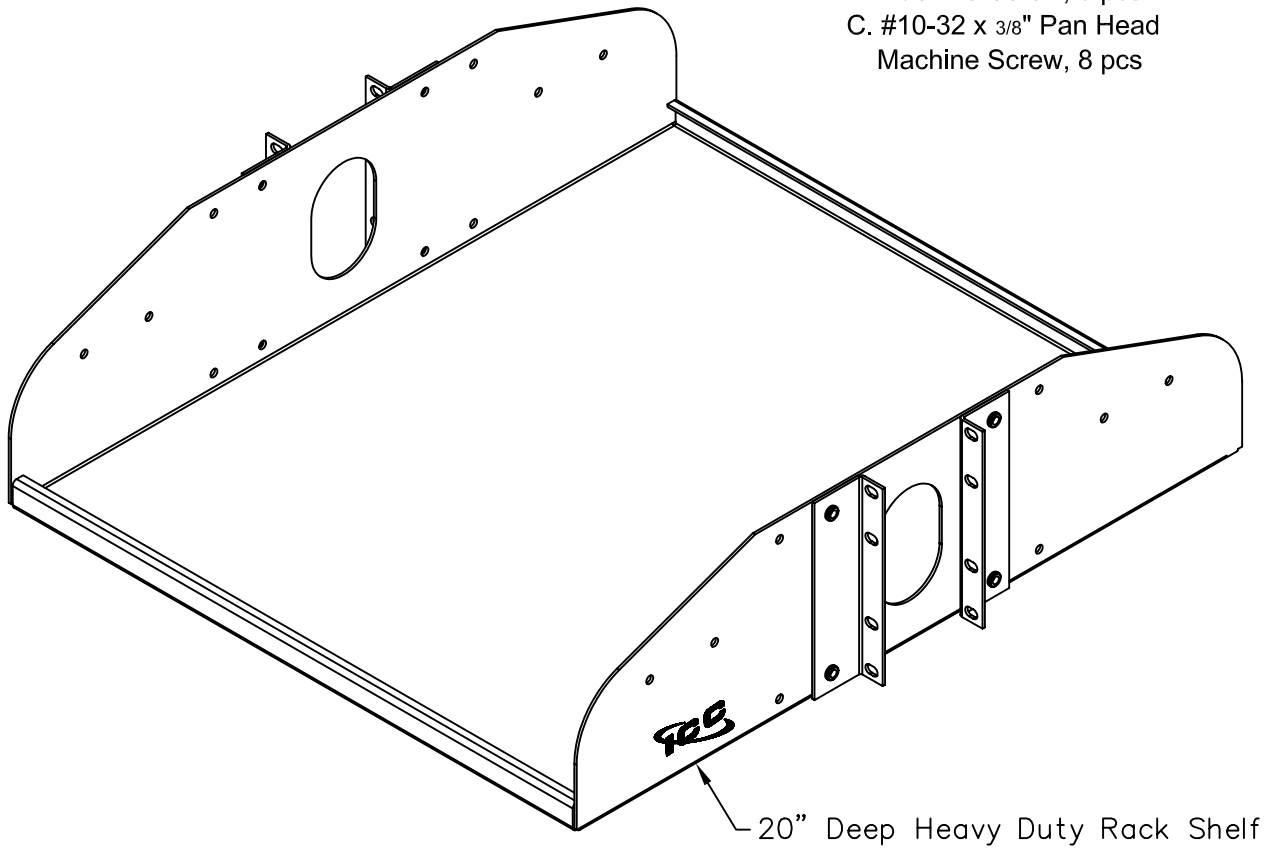


20" Deep Heavy Duty Rack Shelf

PRODUCT SPECIFICATION

Package includes:


- A. 20" Deep Heavy Duty Rack Shelf, 1 pc
- B. #12-24 x 5/8" Pan Head, Pilot Point Machine Screw, 8 pcs
- C. #10-32 x 3/8" Pan Head Machine Screw, 8 pcs



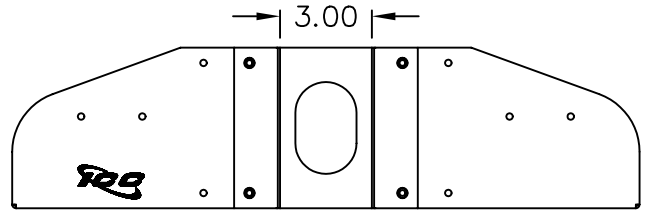
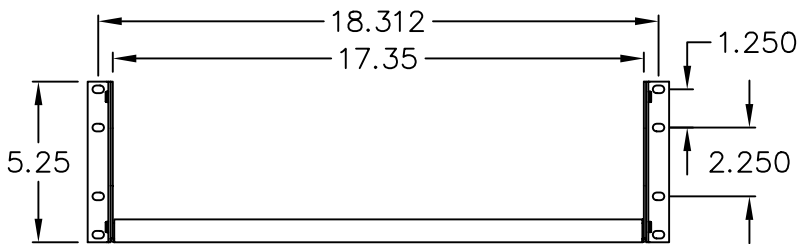
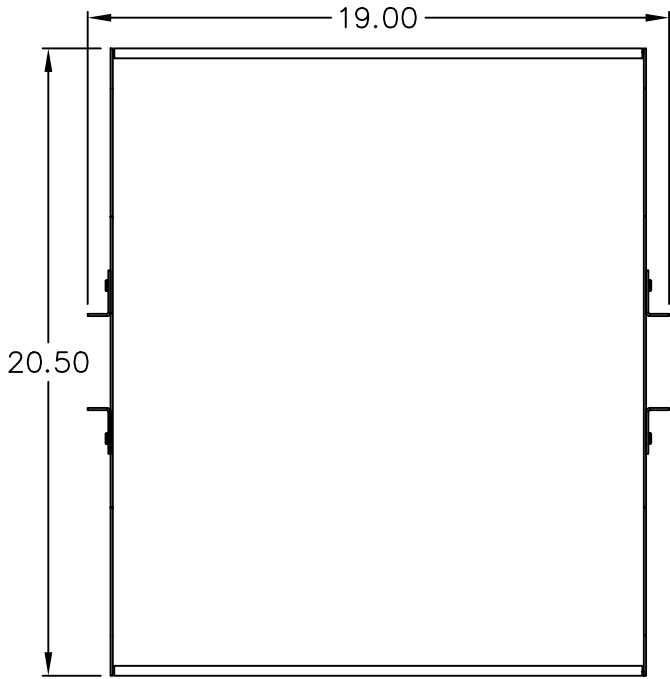
Features and Benefits:

- Designed with durable steel construction, black powder coated, supports bigger and heavier electronic equipment up to 250 lbs. load capacity
- Adjustable side rail brackets designed to fit all standard 19" racks and cabinets with 3" or 6" deep side rails
- 3 rack mount space (RMS)
- Used with all ICCMS distribution and cable management racks

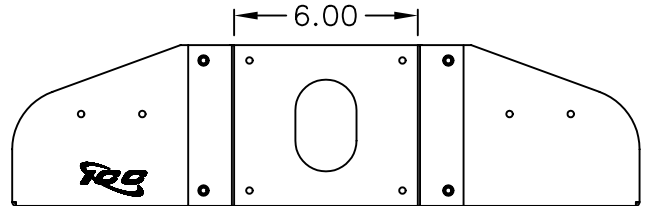
RACK SHELF, 20" DEEP HEAVY DUTY, 3 RMS

ITEM NO.	ICCMSHDS20	REV.	A	 <i>PremiumProducts</i> <i>ProvenPerformance</i> <i>CompetitivePrices</i>
DWG NO.	PSCMSHDS20	PAGE NO.	1	

CUSTOMER CARE / TECHNICAL SUPPORT * CSR@ICC.COM / 888-ASK-4-ICC (275-4422) * 14700 Alondra Blvd., La Mirada, CA 90638 * www.icc.com



FOR 3" DEEP SIDE RAIL RACKS



FOR 6" DEEP SIDE RAIL RACKS

NOTE: UNLESS OTHERWISE SPECIFIED

1. MATERIAL: 14 GA CRS
2. SURFACE FINISH: BLACK POWDER COAT

RACK SHELF, 20" DEEP HEAVY DUTY, 3 RMS

ITEM NO.	ICCMSHDS20
DWG NO.	PSCMSHDS20

REV.	A
PAGE NO.	2



CUSTOMER CARE / TECHNICAL SUPPORT * CSR@ICC.COM / 888-ASK-4-ICC (275-4422) * 14700 Alondra Blvd., La Mirada, CA 90638 * www.icc.com