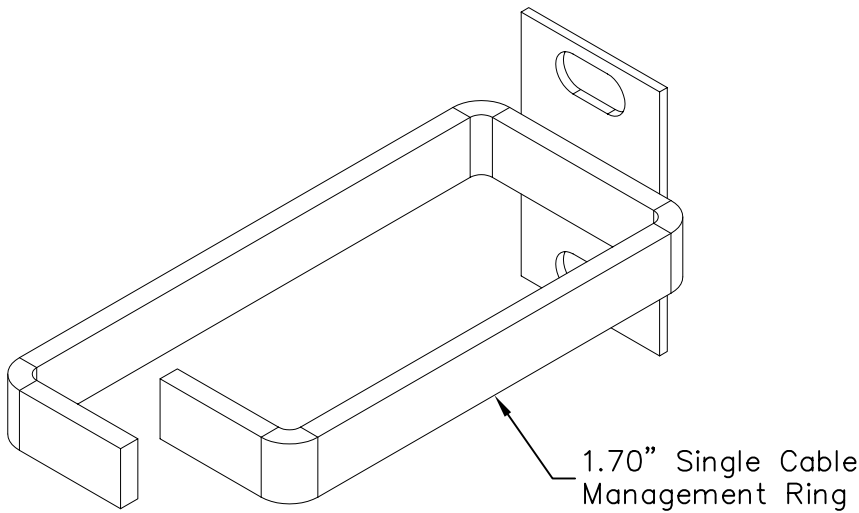


1.70" Single Cable Management Ring

PRODUCT SPECIFICATION


Package includes:

- A. 1.70" Single Cable Management Ring, 1 pc
- B. #12-24 x 5/8" Pan Head, Pilot Point Machine Screw, 2 pcs
- C. M4 X .7mm Pan Head, Phillips with Washer Screw, 1 pc

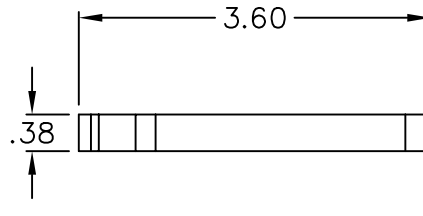
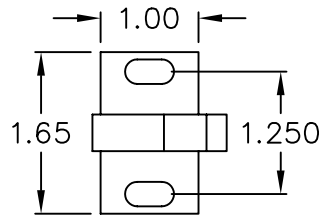
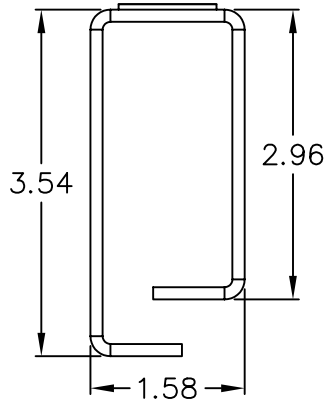


Features and Benefits:

- Provides flexibility for front or back cable management with a neat and clean appearance
- Suitable for all racks, wall mount racks, and wall mount brackets
- Used with ICCMS distribution and cable management racks, ICCMSWMR wall mount racks, ICCMSSGR wall mount swing gate racks, ICCMSVHB wall mount vertical hinged brackets, and ICCMSHB wall mount hinged brackets


RING, CABLE MANAGEMENT, SINGLE, 1.70"		 <i>PremiumProducts</i> <i>ProvenPerformance</i> <i>CompetitivePrices</i>			
ITEM NO.	ICCMSCMPR1			REV.	C
DWG NO.	PSCMSCMPR1			PAGE NO.	1

CUSTOMER CARE / TECHNICAL SUPPORT * CSR@ICC.COM / 888-ASK-4-ICC (275-4422) * 14700 Alondra Blvd., La Mirada, CA 90638 * www.icc.com



NOTE: UNLESS OTHERWISE SPECIFIED

1. MATERIAL:
 - A. RING: 1/8" X 3/8" STRIP CRS
 - B. BRACKET: 16 GA CRS
2. SURFACE FINISH: BLACK TEXTURED POWDER COAT

RING, CABLE MANAGEMENT, SINGLE, 1.70"		 <i>PremiumProducts</i> <i>ProvenPerformance</i> <i>CompetitivePrices</i>	
ITEM NO.	ICCMSCMPR1		REV. C
DWG NO.	PSCMSCMPR1	PAGE NO.	2

CUSTOMER CARE / TECHNICAL SUPPORT * CSR@ICC.COM / 888-ASK-4-ICC (275-4422) * 14700 Alondra Blvd., La Mirada, CA 90638 * www.icc.com