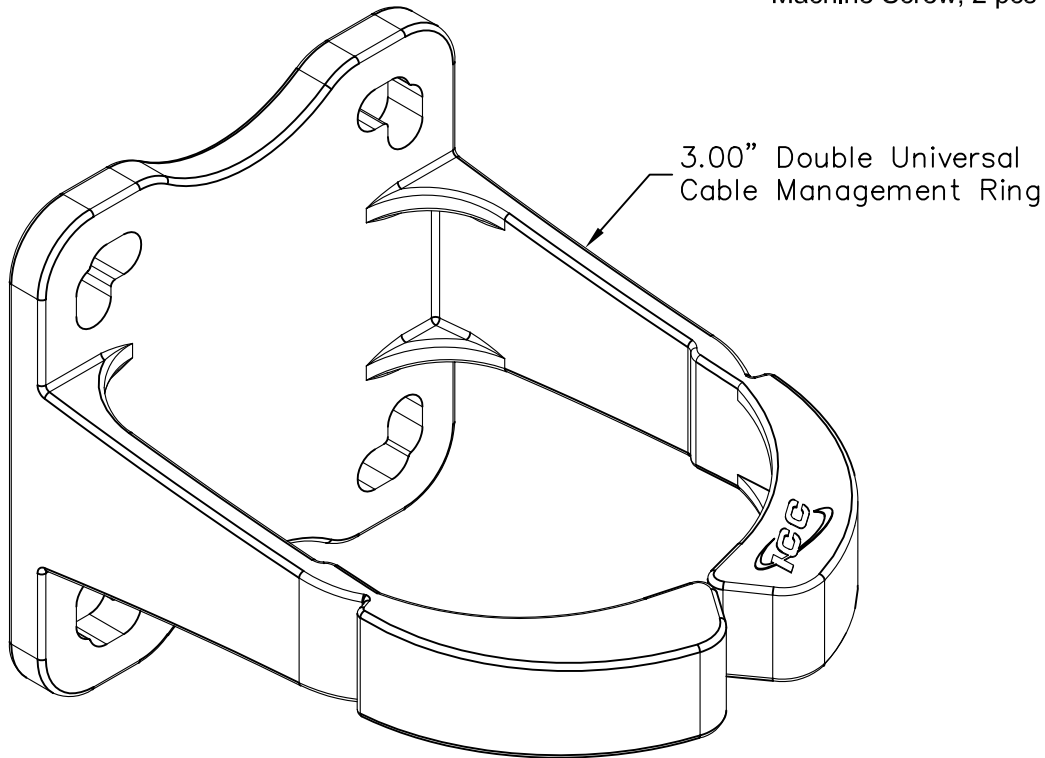


3.00" Double Universal Cable Management Ring

PRODUCT SPECIFICATION


Package includes:

- A. 3.00" Double Universal Cable Management Ring, 1 pc
- B. #12-24 x 5/8" Pan Head, Pilot Point Machine Screw, 2 pcs

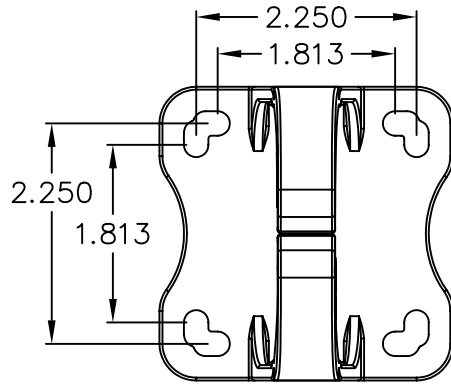
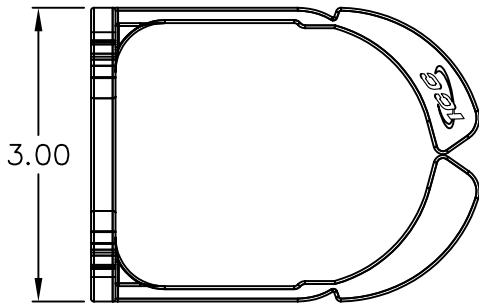
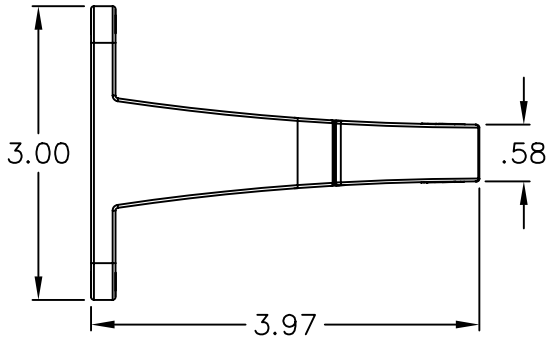


Features and Benefits:

- Provides flexibility for front or back cable management with a neat and clean appearance
- Suitable for all racks, wall mount racks, and wall mount brackets
- Fits on the sides of individual racks/brackets but can also be used to join two distribution racks
- Used with ICCMS distribution and cable management racks, ICCMSWMR wall mount racks, ICCMSSGR wall mount swing gate racks, ICCMSVHB wall mount vertical hinged brackets, and ICCMSHB wall mount hinged brackets


RING, UNIVERSAL CABLE MGMT, DOUBLE, 3.00"		 <i>PremiumProducts</i> <i>ProvenPerformance</i> <i>CompetitivePrices</i>			
ITEM NO.	ICCMSCMPR7			REV.	A
DWG NO.	PSCMSCMPR7			PAGE NO.	1

CUSTOMER CARE / TECHNICAL SUPPORT * CSR@ICC.COM / 888-ASK-4-ICC (275-4422) * 14700 Alondra Blvd., La Mirada, CA 90638 * www.icc.com



NOTE: UNLESS OTHERWISE SPECIFIED

- 1. MATERIAL: HIGH IMPACT ABS, UL 94V-0
- 2. COLOR: BLACK

RING, UNIVERSAL CABLE MGMT, DOUBLE, 3.00"		
ITEM NO.	ICCMSCMPR7	
DWG NO.	PSCMSCMPR7	PAGE NO. 2

CUSTOMER CARE / TECHNICAL SUPPORT * CSR@ICC.COM / 888-ASK-4-ICC (275-4422) * 14700 Alondra Blvd., La Mirada, CA 90638 * www.icc.com