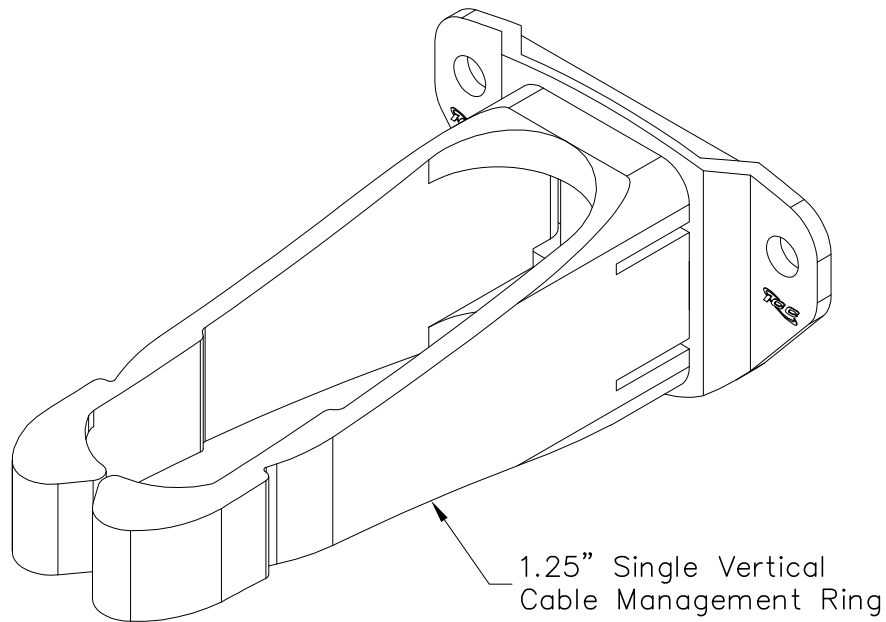


1.25" Single Vertical Cable Management Ring

PRODUCT SPECIFICATION

Package includes:

- A. 1.25" Single Vertical Cable Management Ring, 1 pc
- B. #12-24 x 5/8" Pan Head, Pilot Point Machine Screw, 2 pcs



Features and Benefits:

- Provides flexibility for front or back cable management with a neat and clean appearance
- Suitable for all racks, wall mount racks, and wall mount brackets
- Used with ICCMS distribution and cable management racks, ICCMSWMR wall mount racks, ICCMSSGR wall mount swing gate racks, ICCMSVHB wall mount vertical hinged brackets, and ICCMSHB wall mount hinged brackets

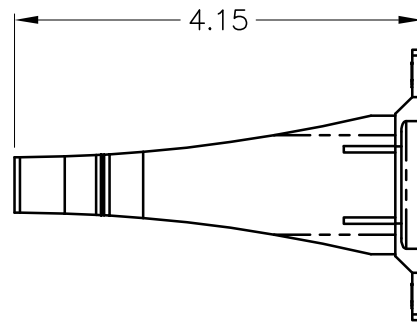
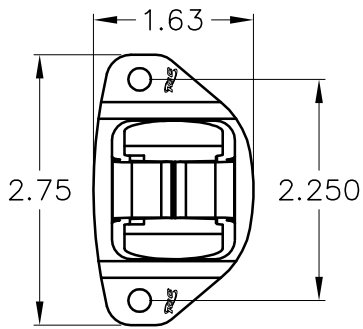
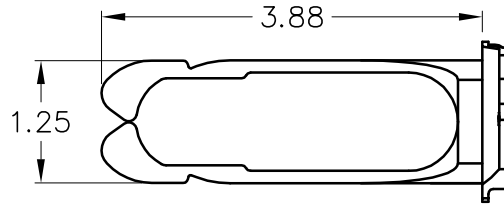
RING, VERTICAL CABLE MGMT, SINGLE, 1.25'

ITEM NO.	ICCMSCMPR5
DWG NO.	PSCMSCMPR5

REV.	A
PAGE NO.	1



CUSTOMER CARE / TECHNICAL SUPPORT * CSR@ICC.COM / 888-ASK-4-ICC (275-4422) * 14700 Alondra Blvd., La Mirada, CA 90638 * www.icc.com



NOTE: UNLESS OTHERWISE SPECIFIED

1. MATERIAL: HIGH IMPACT ABS, UL 94V-0
2. COLOR: BLACK

RING, VERTICAL CABLE MGMT, SINGLE, 1.25'

ITEM NO.	ICCMSCMPR5
DWG NO.	PSCMSCMPR5

REV.	A
PAGE NO.	2



CUSTOMER CARE / TECHNICAL SUPPORT * CSR@ICC.COM / 888-ASK-4-ICC (275-4422) * 14700 Alondra Blvd., La Mirada, CA 90638 * www.icc.com