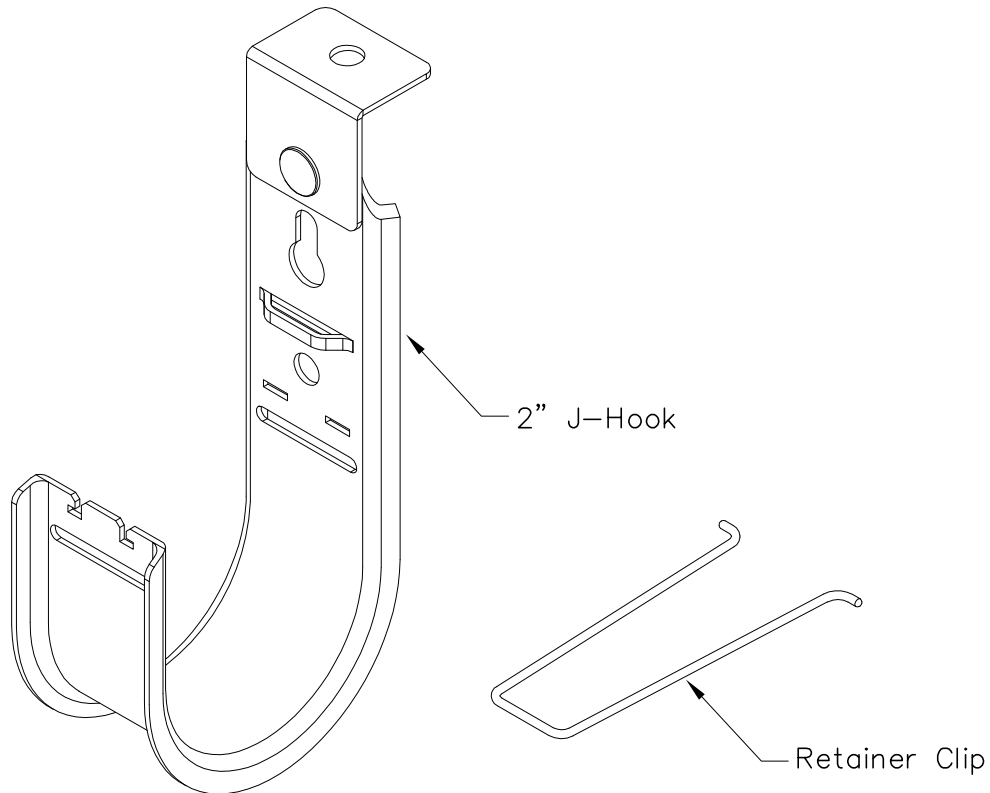


2" J-Hook w/90° Bracket 25 Pk

PRODUCT SPECIFICATION

Package includes:

- A. J-Hook, 25 pcs
- B. Retainer Clip, 25 pcs



Features and Benefits:

- Designed from high quality galvanized steel for strength and durability
- Swivel angle bracket allows for J-Hook to be ceiling mounted and pivot from 0° to 180°
- Accomodates CAT 5e, CAT 6, CAT 6a, coax, fiber, and conduit.
- Retainer clip helps maintain cable in place
- Rust resistant zinc finish
- Complies with EIA/TIA requirements for structured cabling systems
- Cost effective alternative to expensive cable tray or ladder runway rack
- Smooth edges provides proper support, facilitate bend radius
- Cables can be pulled through quickly and easily
- Cable anchor points allows users to secure with cable ties

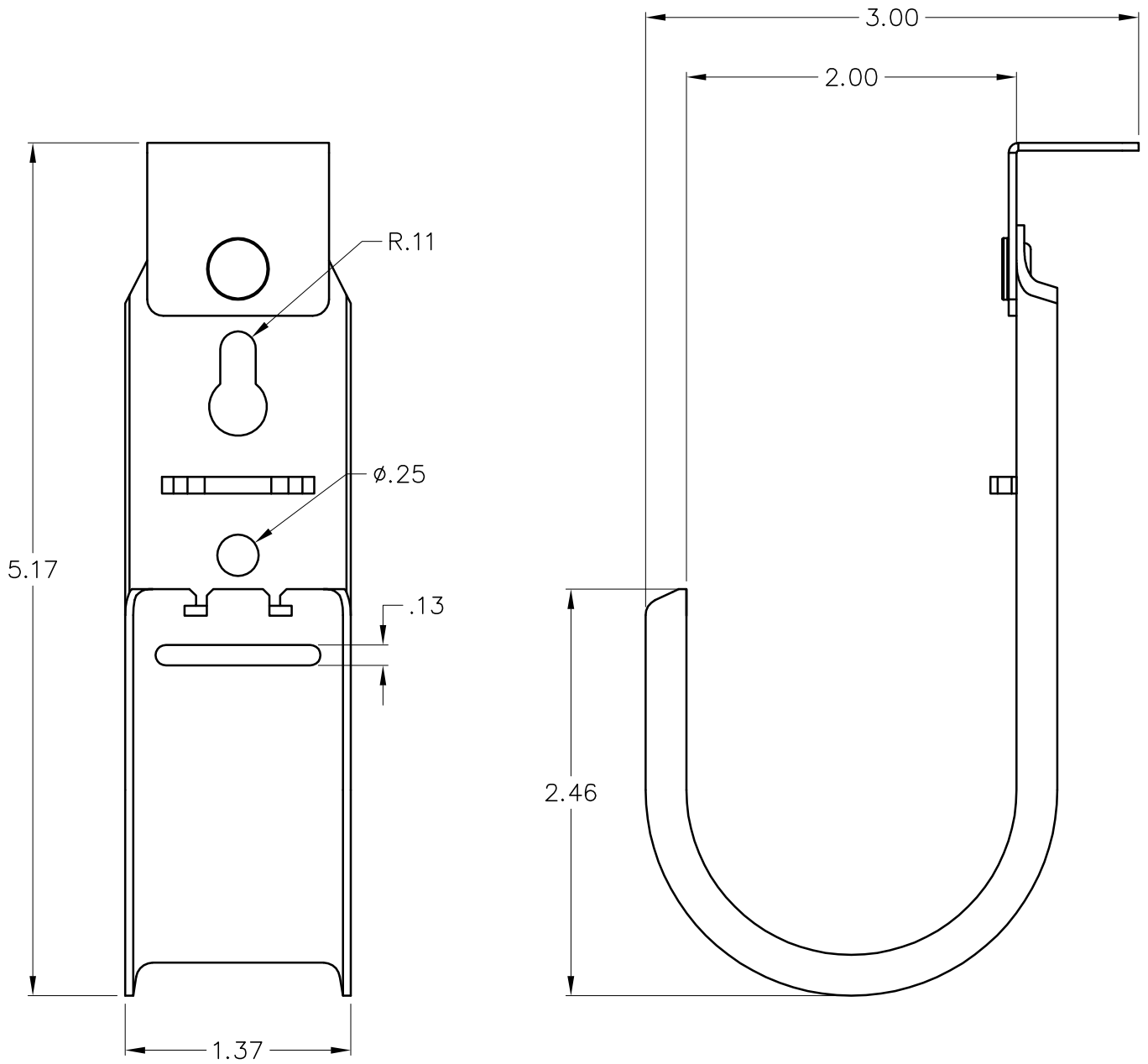
J-HOOK, 2", 90°, 25 PK

ITEM NO. ICMSJH944
DWG NO. PSCMSJH944

REV. A
PAGE NO. 1




CUSTOMER CARE / TECHNICAL SUPPORT * CSR@ICC.COM / 888-ASK-4-ICC (275-4422) * 14700 Alondra Blvd., La Mirada, CA 90638 * www.icc.com



NOTE: UNLESS OTHERWISE SPECIFIED

- 1. MATERIAL: 18GA GALVANIZED STEEL
- 2. FINISH: ZINC PLATED

Capacity Reference		
CABLE TYPE	CAT 5e	CAT 6
QTY	~80	~50

J-HOOK, 2", 90°, 25 PK		 <i>Premium Products</i> <i>Proven Performance</i> <i>Competitive Prices</i>	
ITEM NO.	ICCMSJH944		REV. A
DWG NO.	PSCMSJH944		PAGE NO. 2

CUSTOMER CARE / TECHNICAL SUPPORT * CSR@ICC.COM / 888-ASK-4-ICC (275-4422) * 14700 Alondra Blvd., La Mirada, CA 90638 * www.icc.com