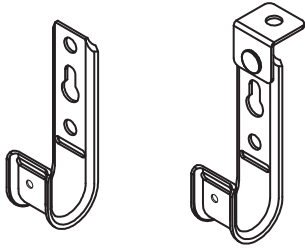


Wall and Ceiling Mount J-Hooks

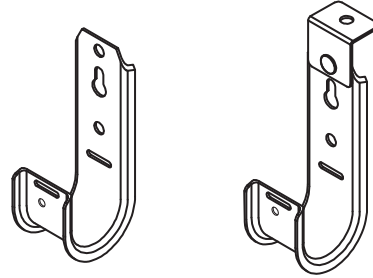
3/4" J-Hook



Item No.	Description	Qty.
ICCMSJHK22	3/4" J-Hook	25
ICCMSJH922	3/4" J-Hook with 90° Bracket	25

Cable Type	Cable Qty.
4-Pair 24 AWG ø 0.189	15
4-Pair 23 AWG ø 0.236	10
4-Pair 23 AWG ø 0.340	5

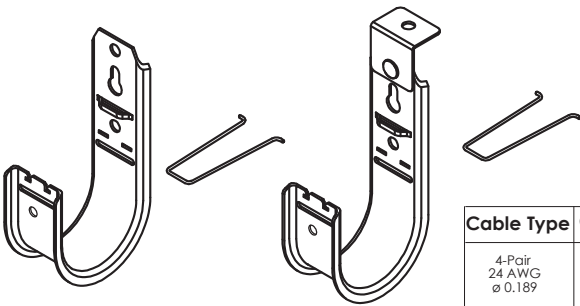
1 5/6" J-Hook



Item No.	Description	Qty.
ICCMSJHK33	1 5/6" J-Hook	25
ICCMSJH933	1 5/6" J-Hook with 90° Bracket	25

Cable Type	Cable Qty.
4-Pair 24 AWG ø 0.189	50
4-Pair 23 AWG ø 0.236	30
4-Pair 23 AWG ø 0.340	15

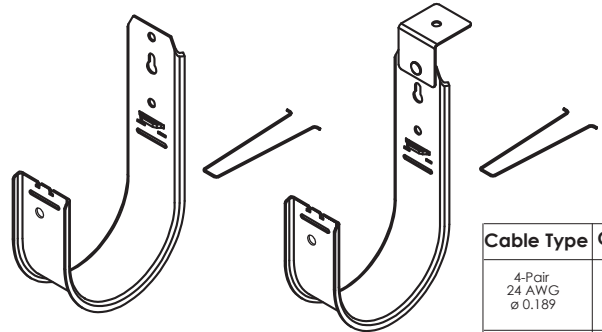
2" J-Hook



Item No.	Description	Qty.
ICCMSJHK44	2" J-Hook	25
ICCMSJH944	2" J-Hook with 90° Bracket	25

Cable Type	Cable Qty.
4-Pair 24 AWG ø 0.189	80
4-Pair 23 AWG ø 0.236	50
4-Pair 23 AWG ø 0.340	25

4" J-Hook



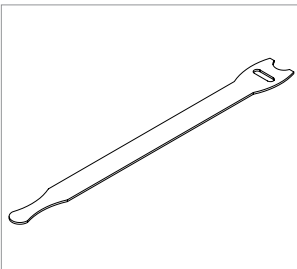
Item No.	Description	Qty.
ICCMSJHK55	4" J-Hook	25
ICCMSJH955	4" J-Hook with 90° Bracket	25

Cable Type	Cable Qty.
4-Pair 24 AWG ø 0.189	160
4-Pair 23 AWG ø 0.236	100
4-Pair 23 AWG ø 0.340	50

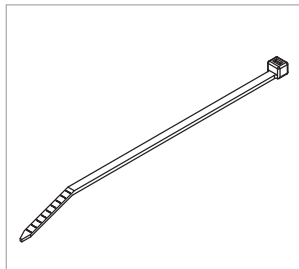
F E A T U R E S & B E N E F I T S

- Designed with high quality galvanized steel for strength and durability.
- 90° angled bracket allows for the J-Hook to be ceiling mounted and pivot left to right from 0° to 180°.
- Accommodates copper premise, coaxial, fiber optic cables and conduit.
- Retainer clip secures cable in place.
- Complies with EIA/TIA requirements.
- Cable anchor points allow installers to secure cable with cable ties.

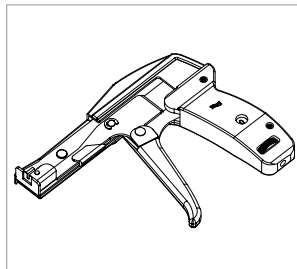
O P T I O N A L A C C E S S O R I E S



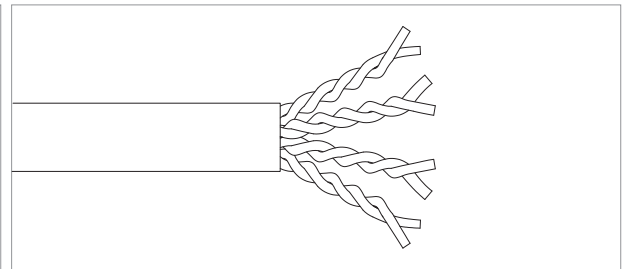
Velcro Ties
ICACSV08xx*- 8" 10pcs/Pack
ICACSV12xx*- 12" 10pcs/Pack
ICACSV88BK- 8" 100pcs/Pack
ICACSV88BK- 8" 100pcs/Pack
ICACSV88BK- 8" 100pcs/Pack
ICACSV88BK- 8" 100pcs/Pack



Cable Ties
ICACSL7Kxx*- 7.5", 50lbs, 100Pk
ICACSS8Kxx*- 8", 18lbs, 100Pk
ICACSM8Kxx*- 8.5", 40lbs, 100Pk
ICACSL1Kxx*- 11", 50lbs, 100Pk



Deluxe Cable Tie Tool
ICACSTCTFD- Cable Tie Fastener



Premise Cable
ICCABP5Exx¹- CAT 5e, UTP, CMP
ICCABP6Exx²- CAT 6e, UTP, CMP
ICCABR5Exx¹- CAT 5e, UTP, CMR
ICCABR6Exx¹- CAT 6e, UTP, CMR
ICCABP6ABL- CAT 6A, UTP, CMP
ICCABR6ABL- CAT 6A, UTP, CMR
ICCABP6FBL- CAT 6A, FTP, CMP
ICCABR6FBL- CAT 6A, FTP, CMR

*xx = **BK**-Black, **BL**-Blue, **GN**-Green,
GY-Gray, **IV**-Ivory, **OR**-Orange,
RD-Red, **WH**-White, **YL**-Yellow

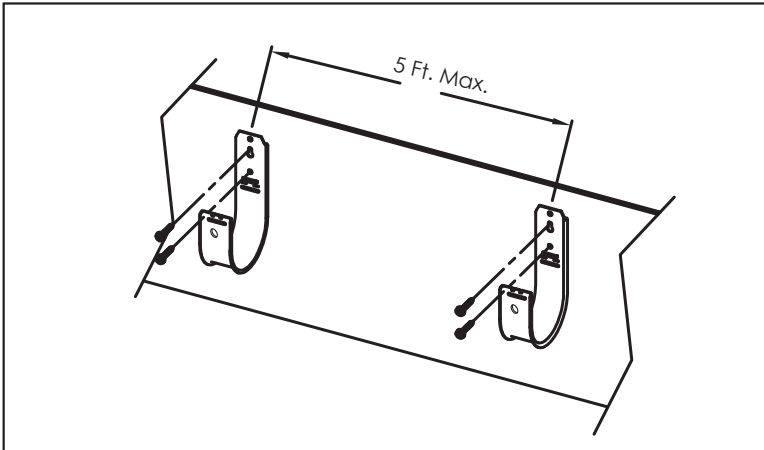
*xx = **BK**-Black, **NL**-Natural

¹xx = **BL**-Blue, **GY**-Gray, **WH**-White
²xx = **BL**-Blue, **GY**-Gray, **WH**-White, **YL**-Yellow

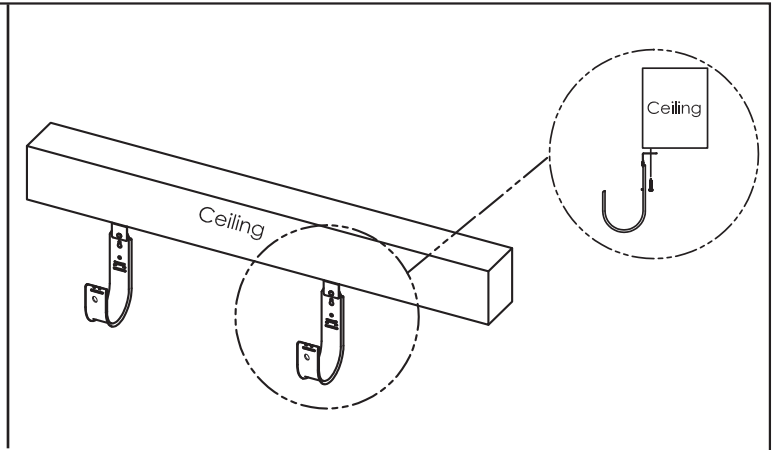


Wall and Ceiling Mount J-Hooks

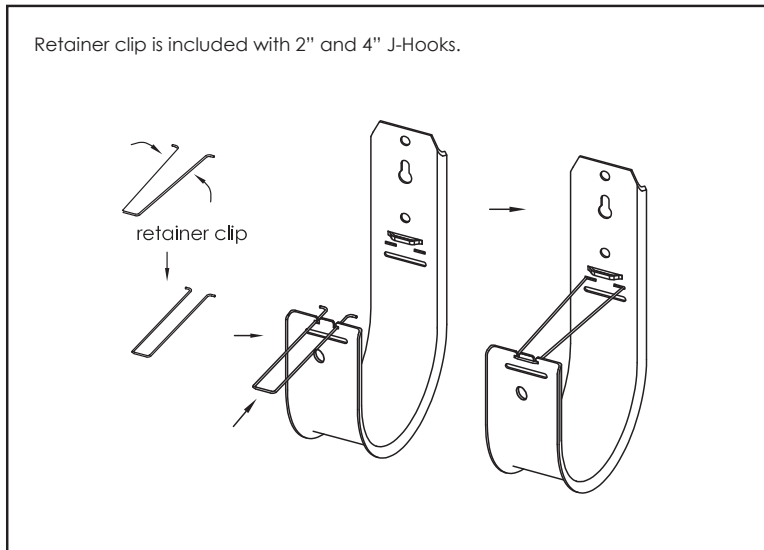
INSTALLATION INSTRUCTIONS



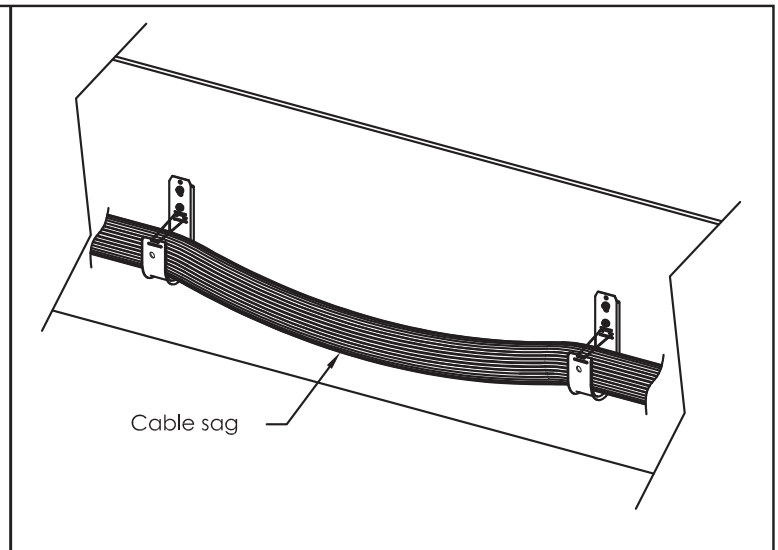
Place up to 5 Ft. maximum apart to limit sagging.



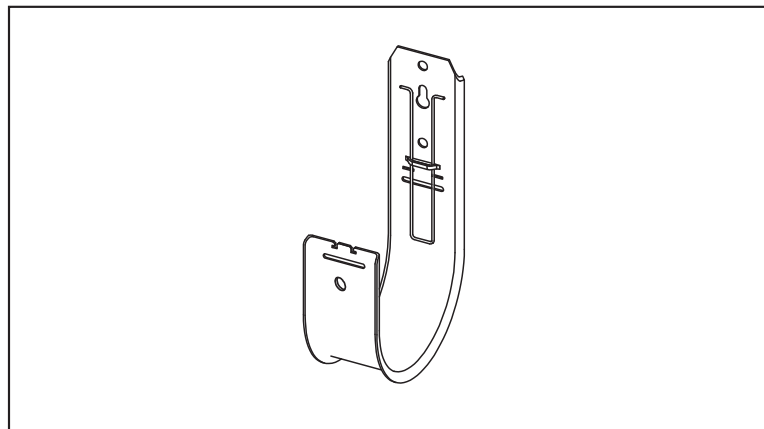
Angled version can be installed under ceiling.



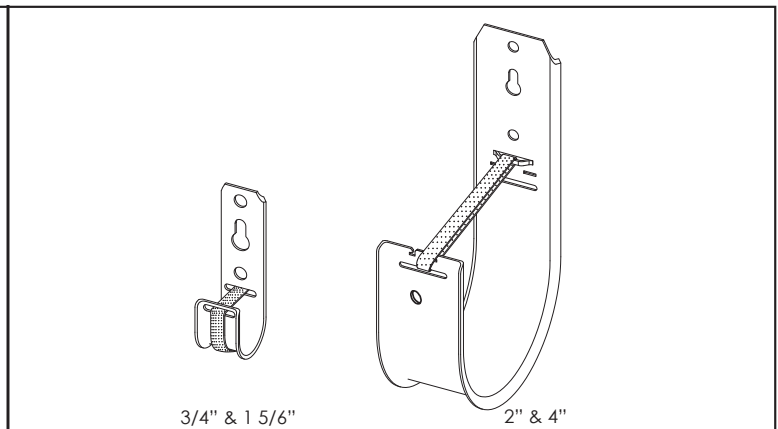
Squeeze clip to insert into J-Hook.



Cable sag shall not exceed 12 inches.



If retainer clip is not used, store in retainer clip holder.



J-Hook supports Velcro® and cable ties.

NOTE: Installer is responsible for making sure J-Hook installation meets all safety codes.