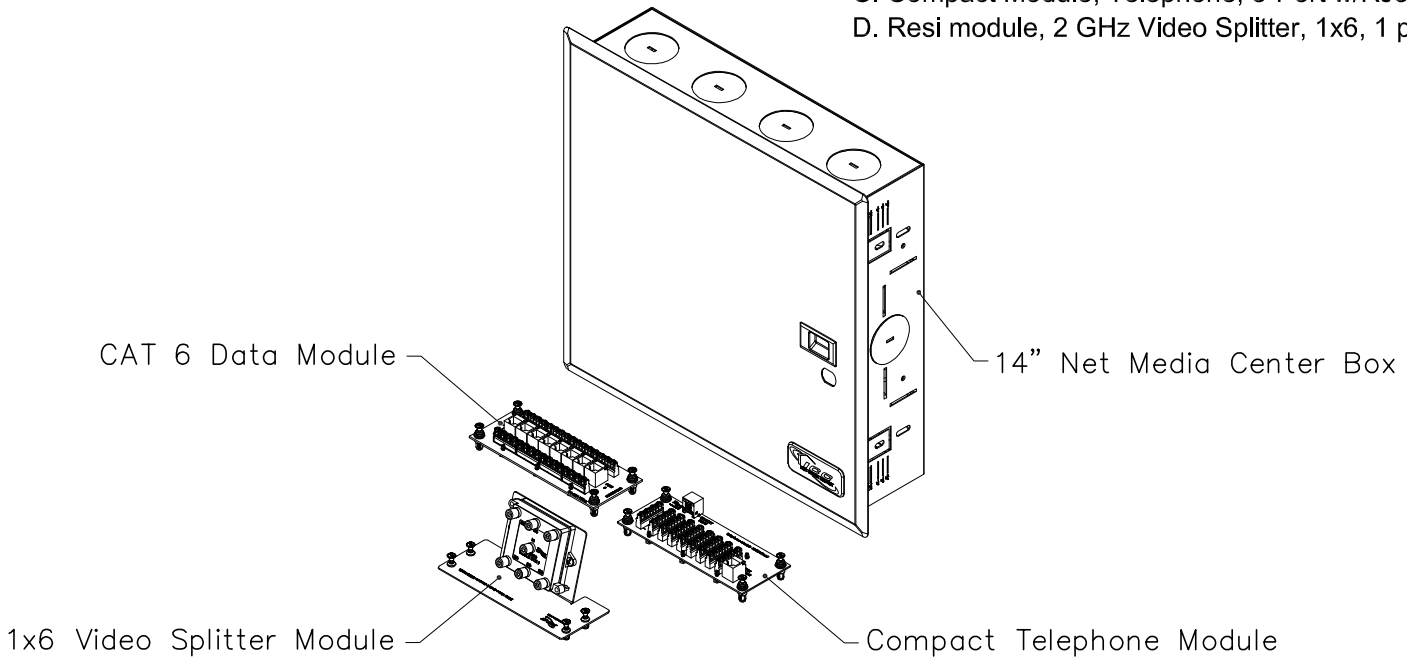


14" Net Media Center Combo

PRODUCT SPECIFICATION

Package includes:

- A. 14" Net Media Center Box, 1 pc
- B. Compact Module, CAT 6, Data, 8-Port, 1 pc
- C. Compact Module, Telephone, 8-Port w/RJ31, 1pc
- D. Resi module, 2 GHz Video Splitter, 1x6, 1 pc



Features and Benefits:

- Designed with steel construction, white powder coated, lightweight and sturdy.
- Designed to serve as the central distribution point for voice, data, video, audio, and security services for smaller residential structured wiring systems.
- Allows for internal modules to be mounted horizontally or vertically facilitating easier layout and wiring of the system, while providing for optimum cable management.
- Integrated snap-in module system enables users to quickly insert or move the internal modules.
- Supports up to 6 ICCMSCMPR1 or ICCMSCMPR2 Cable Management Rings for organizing and routing cable.
- Includes 4 top, 3 bottom, 6 rear, and 4 side knockouts for routing cables and 4 cable tie points.
- Includes a knockout for an optional AC power outlet (not included) to provide power distribution.
- Fits between 16" wall studs with 10 internal module mounting spaces or can be wall mounted.
- Designed with a door latch and an optional door lock knockout.
- Hinged door and NET MEDIA CENTER insert are reversible for opening from left or right.
- Accommodates all of ICRESXXXX residential modules .
- Used with optional accessories including ICRDSDCAC2 distribution center rubber grommets, ICRESDCAC3 distribution center plastic grommets, and ICRDSDC2LK distribution center door lock.

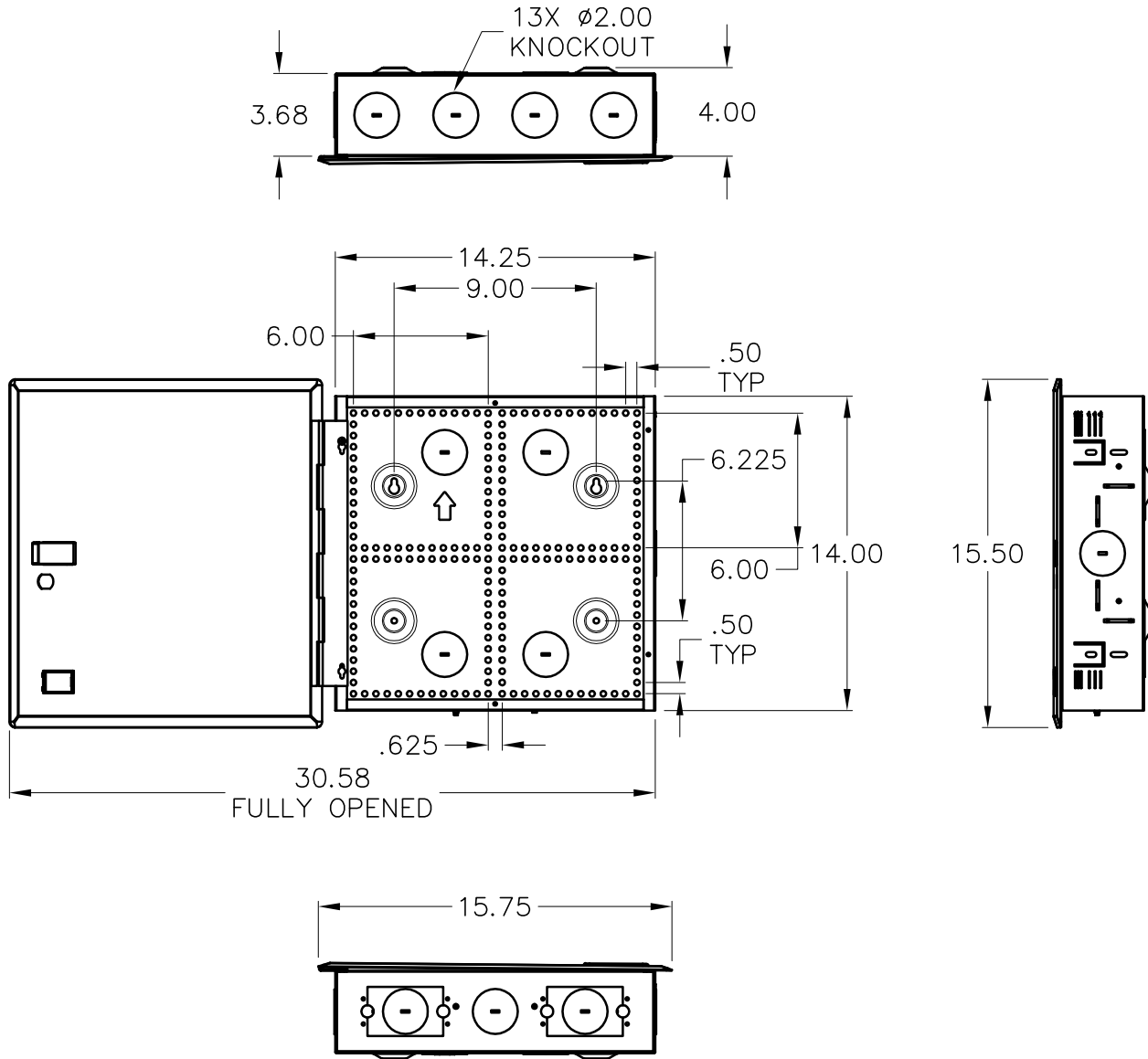
COMBO, NET MEDIA CENTER, 14"

ITEM NO. ICRESDC14K
 DWG NO. PSRESDC14K

REV. A
 PAGE NO. 1




CUSTOMER CARE / TECHNICAL SUPPORT * CSR@ICC.COM / 888-ASK-4-ICC (275-4422) * 14700 Alondra Blvd., La Mirada, CA 90638 * www.icc.com

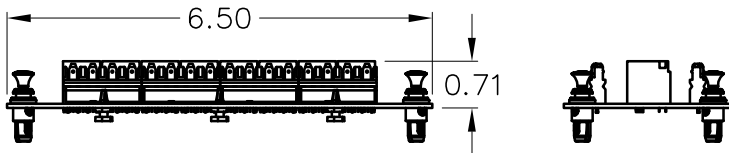
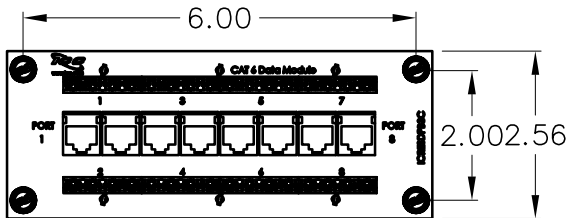


NOTE: UNLESS OTHERWISE SPECIFIED

- 1. MATERIAL: 20 GA CRS
- 2. SURFACE FINISH: WHITE POWDER COAT

COMBO, NET MEDIA CENTER, 14"		 <i>Premium Products</i> <i>Proven Performance</i> <i>Competitive Prices</i>
ITEM NO.	ICRESDC14K	
DWG NO.	PSRESDC14K	PAGE NO. 2

CUSTOMER CARE / TECHNICAL SUPPORT * CSR@ICC.COM / 888-ASK-4-ICC (275-4422) * 14700 Alondra Blvd., La Mirada, CA 90638 * www.icc.com

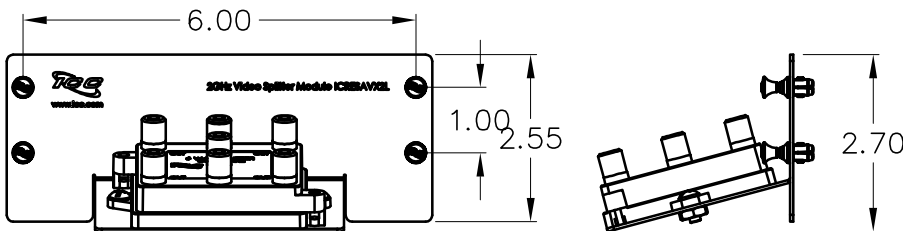
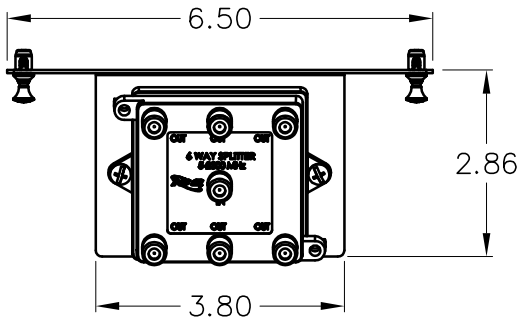
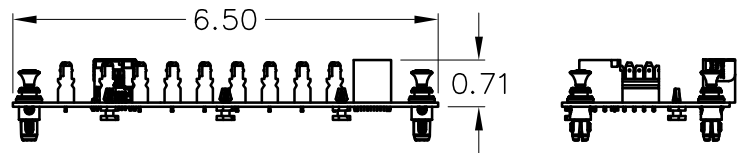
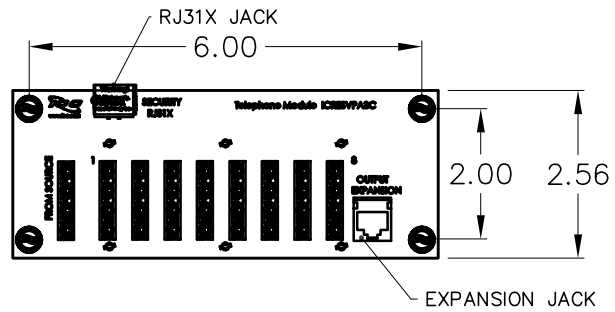


NOTE: UNLESS OTHERWISE SPECIFIED

1. 8-PORT CAT 6 DATA MODULE:
 - A. PCB: GLASS EPOXY FR-4 COPPER CLAD, t=1.20mm
 - B. 110 BLOCK:
 - HOUSING: PC, UL 94V-0
 - IDC: PHOSPHOROUS BRONZE, TIN PLATED
 - C. RJ45 JACK/SOCKET:
 - HOUSING: PBT + 15% FIBER GLASS
 - CONTACT: PHOSPHOROUS BRONZE, 50u" GOLD PLATED
 - D. WIRING IN ACCORDANCE TO T568A
 - E. CATEGORY 6 RATED
2. LOCKING BUTTON: MATERIAL: NYLON 6/6, UL 94V-0

NOTE: UNLESS OTHERWISE SPECIFIED

1. 8-PORT TELEPHONE MODULE WITH RJ31X JACK:
 - A. PCB: GLASS EPOXY FR-4 COPPER CLAD, t=1.20mm
 - B. 110 BLOCK:
 - HOUSING: PC, UL 94V-0
 - IDC: PHOSPHOROUS BRONZE, TIN PLATED
 - C. RJ45 & RJ31X JACK/SOCKET:
 - HOUSING: PBT + 15% FIBER GLASS
 - CONTACT: PHOSPHOROUS BRONZE, 50u" GOLD PLATED
 - D. WIRING IN ACCORDANCE TO T568B
2. LOCKING BUTTON: MATERIAL: NYLON 6/6, UL 94V-0



NOTE: UNLESS OTHERWISE SPECIFIED

1. 1X6 VIDEO SPLITTER:
 - A. HOUSING: DIE-CASTING WITH NICKEL PLATING
 - B. CONNECTORS: F-TYPE FEMALE
 - C. FREQUENCY RANGE: 5 ~ 2300 MHZ
 - D. INSERTION LOSS: 15 dB TYPICAL
2. MOUNTING BRACKET:
 - A. MATERIAL: 18 GA CRS
 - B. SURFACE FINISH: WHITE POWDER COAT
3. LOCKING BUTTON: MATERIAL: NYLON 6/6, UL 94V-0

COMBO, NET MEDIA CENTER, 14"

ITEM NO. ICRESDC14K
 DWG NO. PSRESDC14K

REV. A
 PAGE NO. 3



CUSTOMER CARE / TECHNICAL SUPPORT * CSR@ICC.COM / 888-ASK-4-ICC (275-4422) * 14700 Alondra Blvd., La Mirada, CA 90638 * www.icc.com