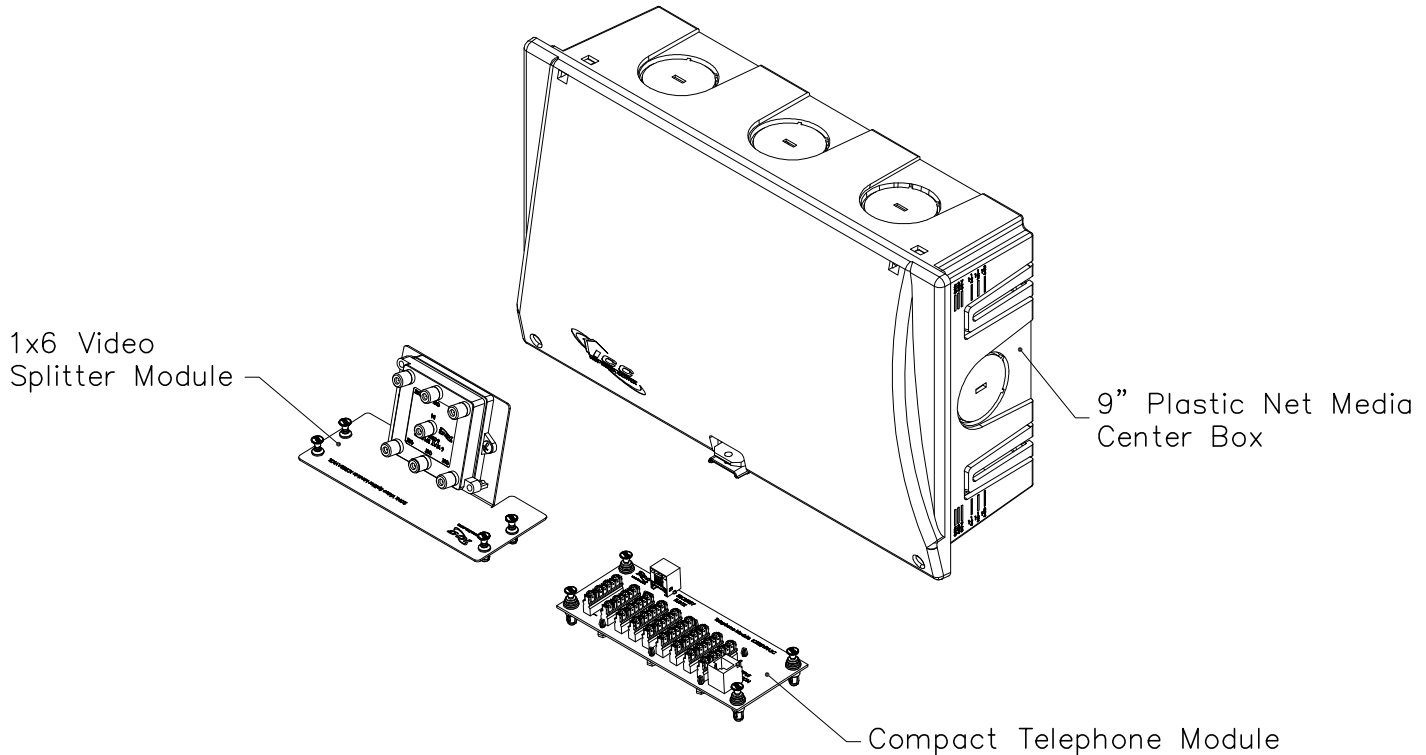


Voice/Video 9" Plastic Net Media Center Combo

PRODUCT SPECIFICATION

Package includes:

- A. 9" Plastic Net Media Center Box, 1 pc
- B. Compact Module, Telephone, 8-Port w/RJ31, 1pc
- C. Resi module, 2 GHz Video Splitter, 1x6, 1 pc
- D. Wiring Location Sheet, 1pc



Features and Benefits:

- Designed with high quality, lightweight plastic.
- Designed to serve as the central distribution point for voice and data services for smaller residential structured wiring systems.
- Allows for internal modules to be mounted horizontally or vertically.
- Integrated snap-in module system enables users to quickly insert or move the internal modules.
- Includes 3 top, 3 bottom, 4 rear, and 2 side knockouts for routing cables.
- Includes a knockout for an optional AC power outlet (not included) to provide power distribution.
- Fits between 16" wall mounting spaces or can be wall mounted.
- Designed with a pad lock option for additional security (pad lock not included).

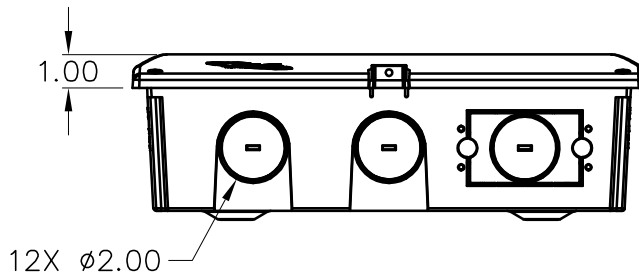
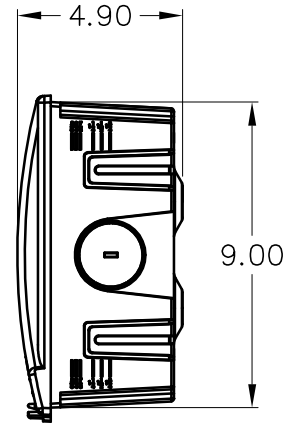
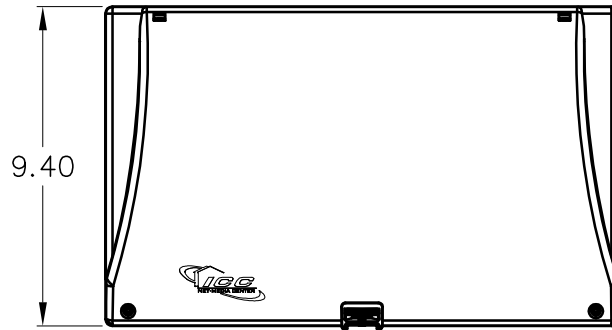
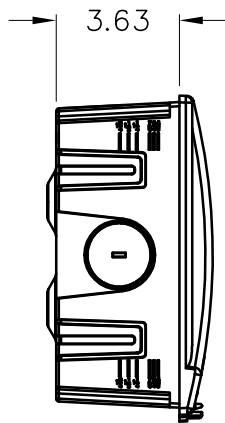
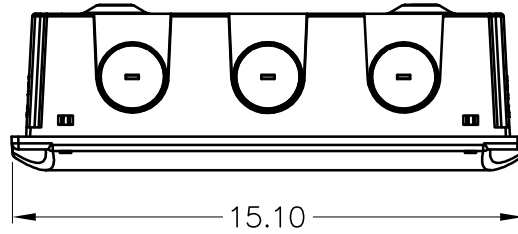
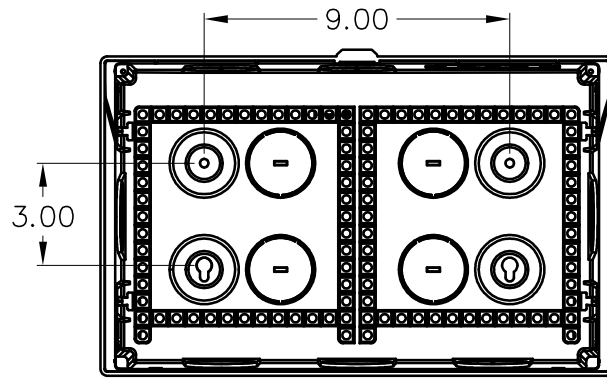
COMBO, NET MEDIA CENTER, 9", VOICE/VIDEO

ITEM NO. ICRESDC9PD
 DWG NO. PSRESDC9PD

REV. A
 PAGE NO. 1




CUSTOMER CARE / TECHNICAL SUPPORT * CSR@ICC.COM / 888-ASK-4-ICC (275-4422) * 14700 Alondra Blvd., La Mirada, CA 90638 * www.icc.com



NOTE: UNLESS OTHERWISE SPECIFIED

- 1. MATERIAL: ABS UL 94V-0
- 2. COLOR: WHITE
- 3. FINISH: MATTE

COMBO, NET MEDIA CENTER, 9", VOICE/VIDEO				
ITEM NO.	ICRESDC9PD	REV.		A
DWG NO.	PSRESDC9PD	PAGE NO.		2

CUSTOMER CARE / TECHNICAL SUPPORT * CSR@ICC.COM / 888-ASK-4-ICC (275-4422) * 14700 Alondra Blvd., La Mirada, CA 90638 * www.icc.com

NOTE: UNLESS OTHERWISE SPECIFIED

1. 8-PORT TELEPHONE MODULE WITH RJ31X JACK:

A. PCB: GLASS EPOXY FR-4 COPPER CLAD, t=1.20mm

B. 110 BLOCK:

-HOUSING: PC, UL 94V-0

-IDC: PHOSPHOROUS BRONZE, TIN PLATED

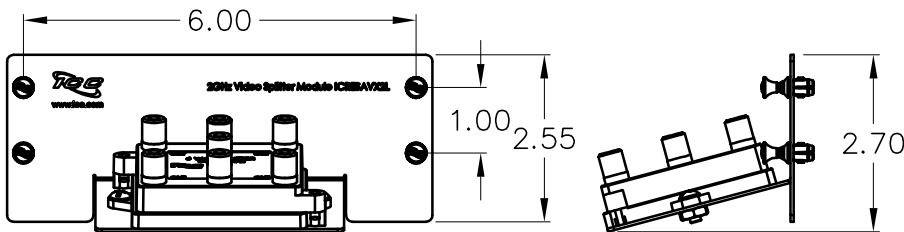
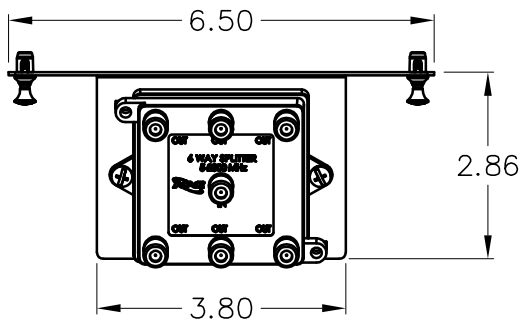
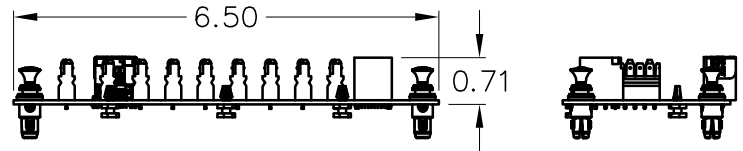
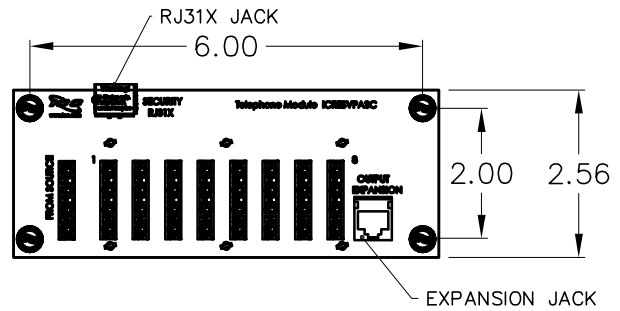
C. RJ45 & RJ31X JACK/SOCKET:

-HOUSING: PBT + 15% FIBER GLASS

-CONTACT: PHOSPHOROUS BRONZE, 50u" GOLD PLATED

D. WIRING IN ACCORDANCE TO T568A

2. LOCKING BUTTON: MATERIAL: NYLON 6/6, UL 94V-0



NOTE: UNLESS OTHERWISE SPECIFIED

1. 1X6 VIDEO SPLITTER:

A. HOUSING: DIE-CASTING WITH NICKEL PLATING

B. CONNECTORS: F-TYPE FEMALE

C. FREQUENCY RANGE: 5 ~ 2300 MHZ

D. INSERTION LOSS: 15 dB TYPICAL

2. MOUNTING BRACKET:

A. MATERIAL: 18 GA CRS

B. SURFACE FINISH: WHITE POWDER COAT

3. LOCKING BUTTON: MATERIAL: NYLON 6/6, UL 94V-0

COMBO, NET MEDIA CENTER, 9", VOICE/VIDEO

ITEM NO. ICRESDC9PD

REV. A

DWG NO. PSRESDC9PD

PAGE NO. 3



CUSTOMER CARE / TECHNICAL SUPPORT * CSR@ICC.COM / 888-ASK-4-ICC (275-4422) * 14700 Alondra Blvd., La Mirada, CA 90638 * www.icc.com