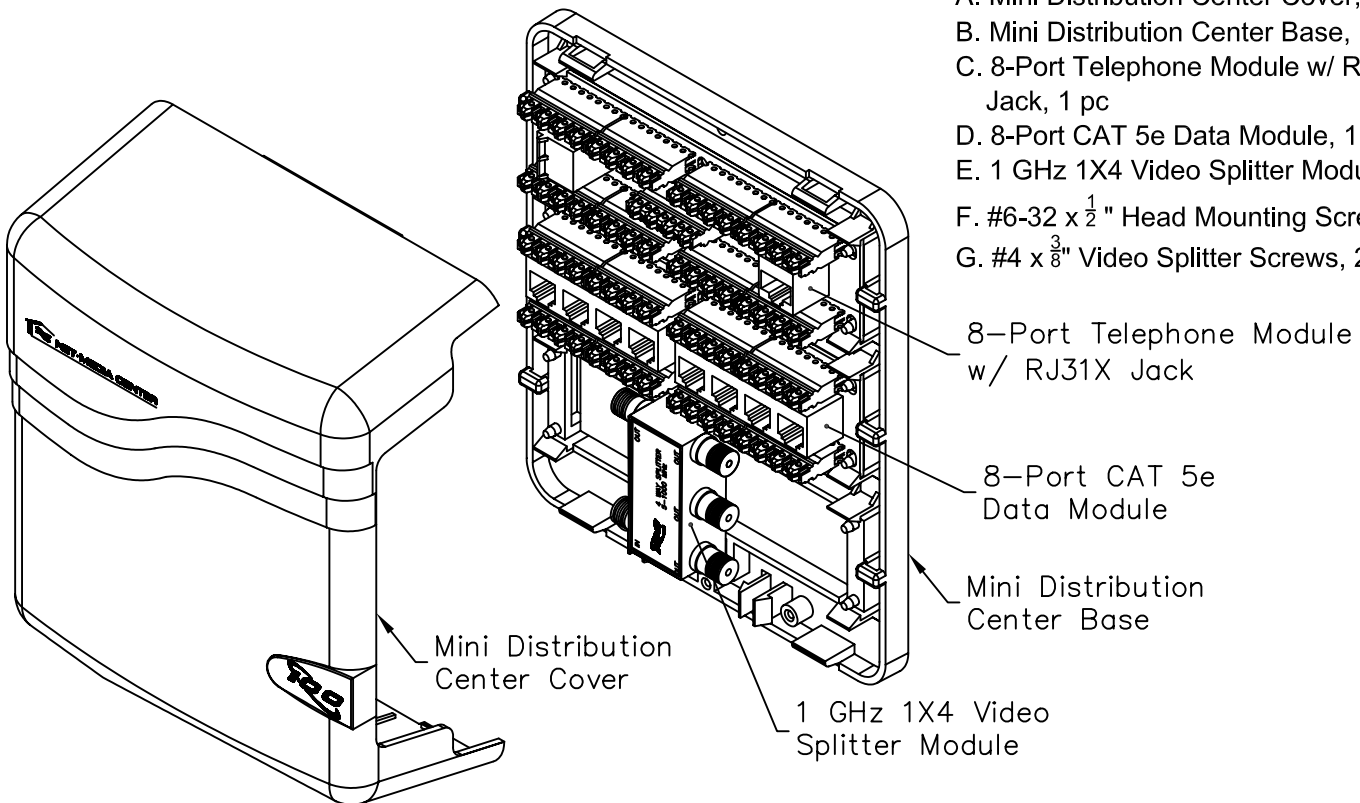


Mini Distribution Center Kit

PRODUCT SPECIFICATION

Package includes:

- A. Mini Distribution Center Cover, 1 pc
- B. Mini Distribution Center Base, 1 pc
- C. 8-Port Telephone Module w/ RJ31X Jack, 1 pc
- D. 8-Port CAT 5e Data Module, 1 pc
- E. 1 GHz 1X4 Video Splitter Module, 1 pc
- F. #6-32 x $\frac{1}{2}$ " Head Mounting Screw, 1 pc
- G. #4 x $\frac{3}{8}$ " Video Splitter Screws, 2 pcs



Features and Benefits:

- Provides excellent solution for condos, town homes, smaller homes, and for remodeling installations
- Designed to be surface mounted, and suited for compact areas with flexible needs for distribution of voice, data, audio, or video with dual side access for easy cable entry and exit
- Includes ICRDSVPA10 8-port telephone module with RJ31X jack, ICRDSDPA10 8-port CAT 5e data module, and ICRDSAVP4B 1 GHz 1X4 video splitter module
- 8-port telephone module is bridged, supports up to 4 incoming telephone lines with 8 outputs per each line, and includes an RJ31X jack for a security system
- 8-port CAT 5e data module exceeds ANSI/TIA/EIA-568-B.2 Category 5e connecting hardware requirements
- Video splitter module is designed with 1 input by 4 output with a frequency range of 5 MHz to 1 GHz providing excellent signal quality for splitting cable, satellite, or antenna signals
- Can also be used with ICRDSVPB10 8-port telephone module with expansion jacks, ICRDSAD14B audio distribution module, and ICRDSDMBUM universal electronics bracket for active components if needed

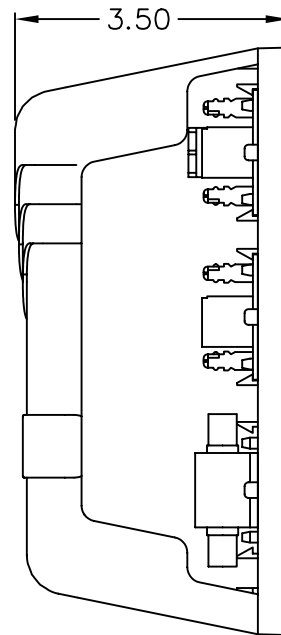
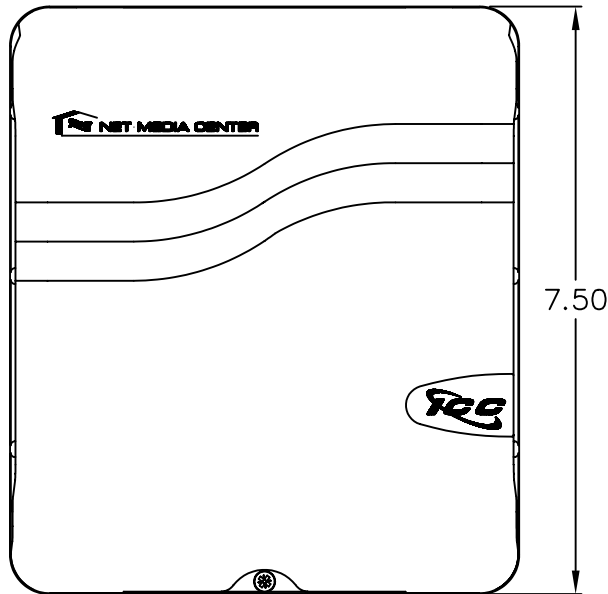
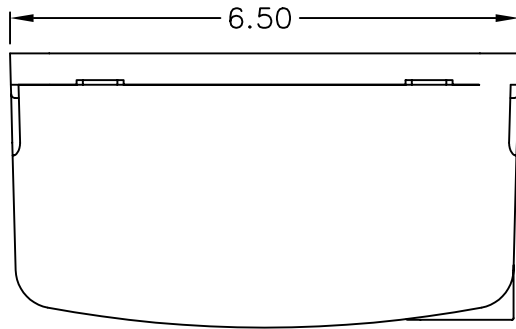
KIT, MINI DISTRIBUTION CENTER

ITEM NO.	ICRDSMMBK1
DWG NO.	PSRDSMMBK1

REV.	B
PAGE NO.	1




CUSTOMER CARE / TECHNICAL SUPPORT * CSR@ICC.COM / 888-ASK-4-ICC (275-4422) * 14700 Alondra Blvd., La Mirada, CA 90638 * www.icc.com



NOTE: UNLESS OTHERWISE SPECIFIED

1. MINI DISTRIBUTION CENTER:
 - A. MATERIAL: ABS, UL 94V-0
 - B. SURFACE FINISH: TEXTURE
 - C. COLOR: WHITE
2. 8-PORT TELEPHONE MODULE W/ RJ31X JACK:
 - A. MATERIAL: GLASS EPOXY FR4 COPPER CLAD .062 INCH THICK PER MIL-P-13949
 - B. FINISH: ELECTROPLATED SOLDER WITH HOT SOLDER DIP
 - C. WIRING IN ACCORDANCE TO T568B
3. 8-PORT CAT 5e DATA MODULE:
 - A. MATERIAL: GLASS EPOXY FR4 COPPER CLAD .062 INCH THICK PER MIL-P-13949
 - B. FINISH: ELECTROPLATED SOLDER WITH HOT SOLDER DIP
 - C. WIRING IN ACCORDANCE TO T568A
4. 1 GHZ 1X4 VIDEO SPLITTER MODULE:
 - A. HOUSING: ZINC ALLOY DIE-CASTING CASE WITH NICKEL PLATED
 - B. FREQUENCY RANGE: 5~1000 MHZ
 - C. INSERTION LOSS: 8 dB TYPICAL

KIT, MINI DISTRIBUTION CENTER			 <i>PremiumProducts</i> <i>ProvenPerformance</i> <i>CompetitivePrices</i>
ITEM NO.	ICRDSMMBK1	REV. B	
DWG NO.	PSRDSMMBK1	PAGE NO. 2	

CUSTOMER CARE / TECHNICAL SUPPORT * CSR@ICC.COM / 888-ASK-4-ICC (275-4422) * 14700 Alondra Blvd., La Mirada, CA 90638 * www.icc.com