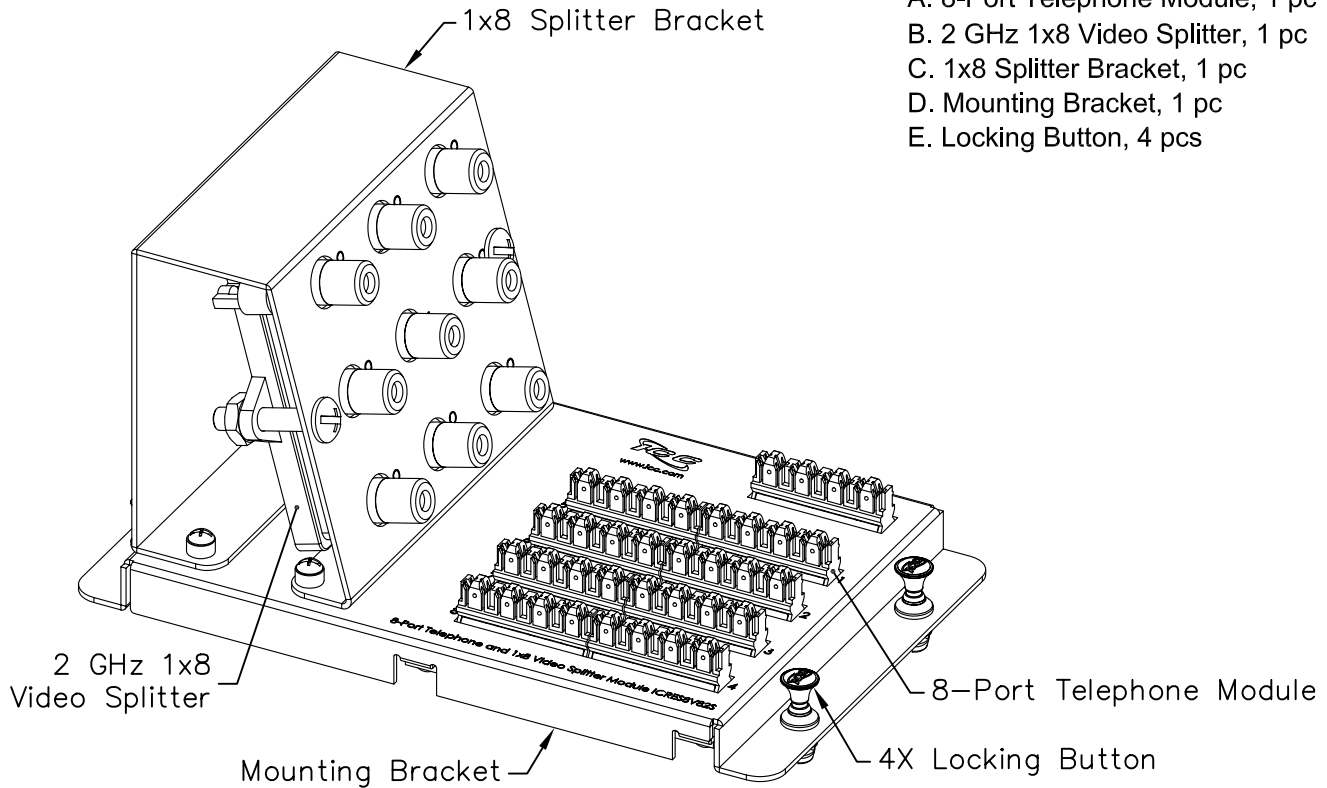


2 GHz 1x8 Video Splitter & 8-Port Telephone Resi Module

PRODUCT SPECIFICATION

Package includes:

- A. 8-Port Telephone Module, 1 pc
- B. 2 GHz 1x8 Video Splitter, 1 pc
- C. 1x8 Splitter Bracket, 1 pc
- D. Mounting Bracket, 1 pc
- E. Locking Button, 4 pcs



Features and Benefits:

- Telephone module is designed to support up to 4 incoming telephone lines with 8 outputs/extensions per line
- Telephone module is bridged as using only 2 incoming lines can get 16 outputs/extensions per line and using only 1 incoming line can get 32 outputs/extensions
- 1X8 splitter module is designed to provide excellent signal quality for splitting cable, UHF/VHF, antenna, or security system signals up to 8 locations with the frequency bandwidth from 5 to 2300 MHz, ideal for home or small office use
- 1X8 splitter module is used with ICRESAM18C or ICRESAM25C drop amplifier module installed between the signal source and the splitter input connector to compensate for splitter insertion loss and to ensure adequate incoming signal levels if needed, and is used with ICRDSTC75F F-type termination cap to prevent signal degradation
- Fit all ICRESDC 14", 21", 28", and 42" resi distribution center enclosures with the 4 locking buttons

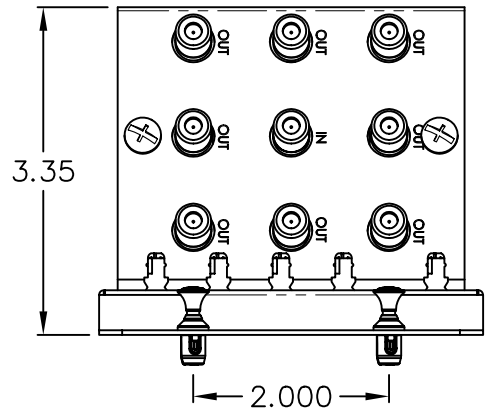
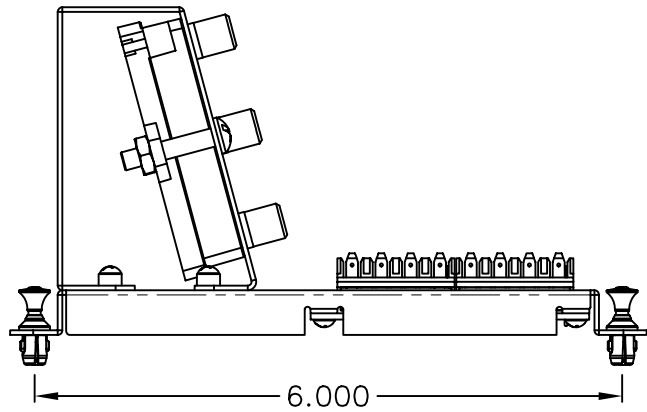
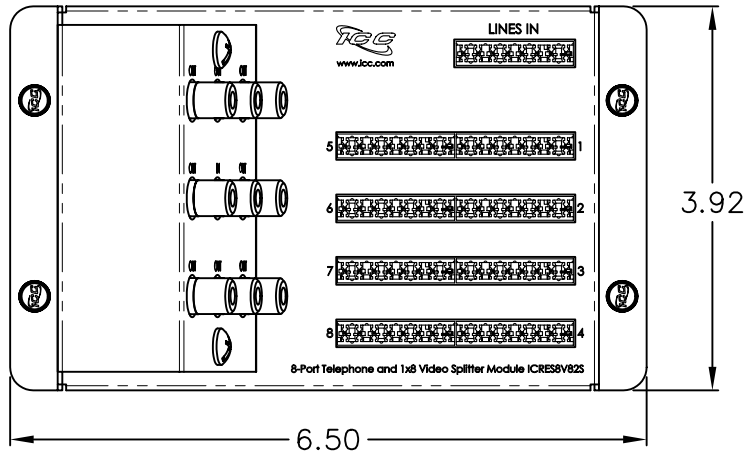
RESI MODULE, 8-PORT TELCO & 1X8 SPLITTER

ITEM NO.	ICRES8V82S
DWG NO.	PSRES8V82S

REV.	A
PAGE NO.	1




CUSTOMER CARE / TECHNICAL SUPPORT * CSR@ICC.COM / 888-ASK-4-ICC (275-4422) * 14700 Alondra Blvd., La Mirada, CA 90638 * www.icc.com



NOTE: UNLESS OTHERWISE SPECIFIED

1. 8-PORT TELEPHONE MODULE:
 - A. PCB: GLASS EPOXY FR-4 COPPER CLAD, t=1.20mm
 - B. JACK HOUSING: PBT +15% GF
 - C. 110 BLOCK: PC, UL 94V-0
 - D. GOLD PLATING: 50 MICRO INCHES OF GOLD
 - E. WIRING IN ACCORDANCE TO T568B
2. 1X8 VIDEO SPLITTER:
 - A. HOUSING: DIE-CASTING WITH NICKEL PLATING
 - B. CONNECTORS: F-TYPE FEMALE
 - C. FREQUENCY RANGE: 5 ~ 2300 MHZ
 - D. INSERTION LOSS: 16 dB TYPICAL
3. 1X8 SPLITTER BRACKET:
 - A. MATERIAL: 18 GA CRS
 - B. SURFACE FINISH: WHITE POWDER COAT
4. MOUNTING BRACKET:
 - A. MATERIAL: 18 GA CRS
 - B. SURFACE FINISH: WHITE POWDER COAT
5. LOCKING BUTTON: MATERIAL: NYLON 6/6, UL 94V-0

RESI MODULE, 8-PORT TELCO & 1X8 SPLITTER		 PremiumProducts ProvenPerformance CompetitivePrices	
ITEM NO.	ICRES8V82S		REV. A
DWG NO.	PSRES8V82S	PAGE NO.	2

CUSTOMER CARE / TECHNICAL SUPPORT * CSR@ICC.COM / 888-ASK-4-ICC (275-4422) * 14700 Alondra Blvd., La Mirada, CA 90638 * www.icc.com