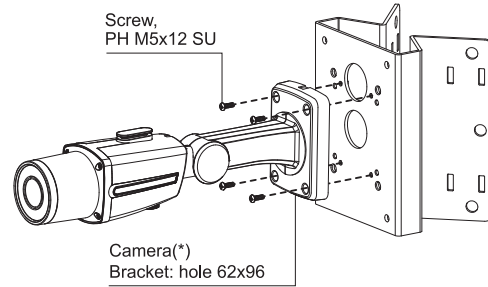


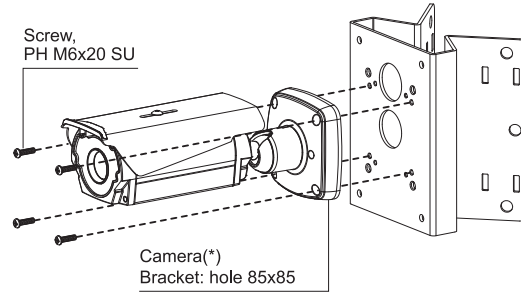
## MOUNTING THE BULLET CAMERA TO THE POLE AND CORNER MOUNT

- Using the PH M5x12 SU screws supplied, mount the bullet camera to the predetermined location as indicated on the right.



## MOUNTING THE INTEGRATED ZOOM CAMERA TO THE POLE AND CORNER MOUNT

- Using the PH M6x20 SU screws supplied, mount the integrated zoom camera to the predetermined location as indicated on the right.



(\*) The cameras are not included in this package.

# Pole & Corner Mount Bracket | EA-CP100

## INSTALLATION GUIDE

### Using This Guide

Each of the compatible cameras and brackets are numbered in the Features section below. Follow the mounting instructions based on the number assigned to the camera or mounting accessory you wish to mount.

### FEATURES

This Pole & Corner Mount Bracket (EA-CP100) is designed to mount cameras on both corner of a building structure, or on a pole utilizing the Hose Bands supplied. The Pole & Corner Mount Bracket accommodates the many **3** **4** cameras, **1** Junction Box (EA-JB100), and the **2** Pendant Mount Bracket (EA-WM100), and the **2** full-size PTZ Pendant Mount Bracket.

### ASSEMBLY ACCESSORIES

#### Camera Mounting Screws

- 4** PH M5x12 SU

Q'ty : 4



- 3** PH M6x20 SU

Q'ty : 4



- 1** PH M8x35 SU

Q'ty : 4



#### Bracket Mounting Bolts

- 2** HS M10x25 SU

Q'ty : 4



#### Nuts

- 2** M10 SU

Q'ty : 4



- 1** M8 SU

Q'ty : 4



#### Washers

- 2** 21x10.5x2t SU

Q'ty : 10



- 1** 16x8.4x1t SU

Q'ty : 4



#### Wall Mounting Screws

- BH T1 6x50 SU

Q'ty : 6



#### Plastic Anchors

- D6

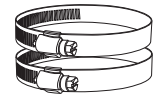
Q'ty : 6



#### Hose Bands

- L.H 1226

Q'ty : 2



#### L-Wrench

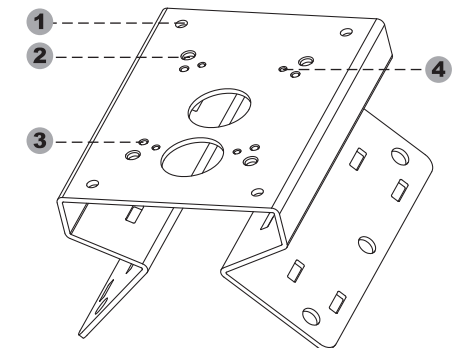
- 8mm

Q'ty : 1



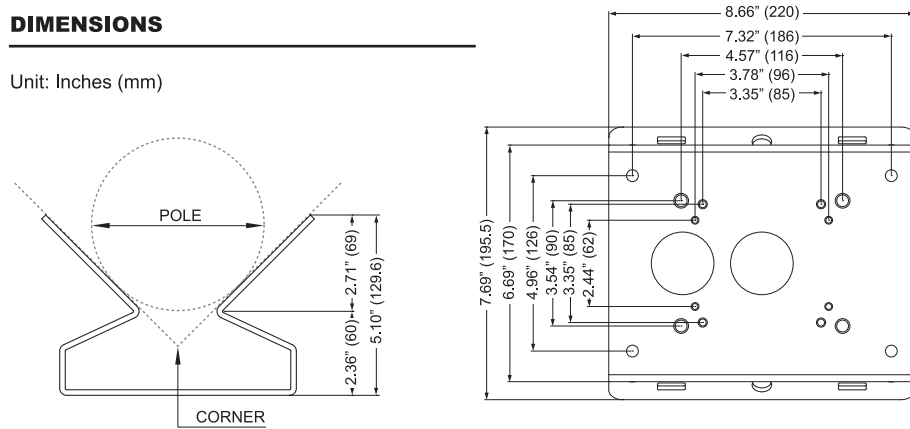
### SPECIFICATION

Construction	Aluminum
Finish	Light-gray polyester powder coat.
Environment	Indoor/Outdoor



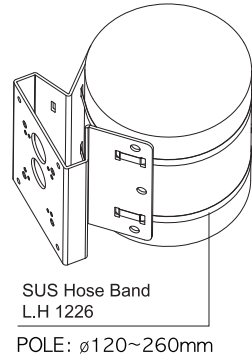
## DIMENSIONS

Unit: Inches (mm)



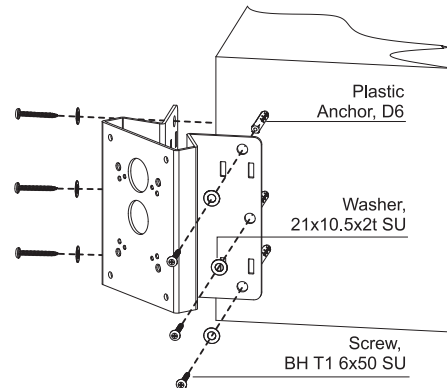
## INSTALLING TO A POLE-LIKE STRUCTURE

1. Feed the Hose Bands through the vertical slits located on the four corners of the mounting flaps as shown on the right. If mounting on the corner of a building structure, then you may disregard the Hose Bands, and refer to the section below.
2. Wrap the Hose Bands around the pole-like structure then use the philips driver to rotate the screw that is attached at the ends of the Hose Bands clockwise. Rotating the screw shortens the bands thereby fastening the mount around the structure.



## INSTALLING TO THE CORNER OF A BUILDING STRUCTURE

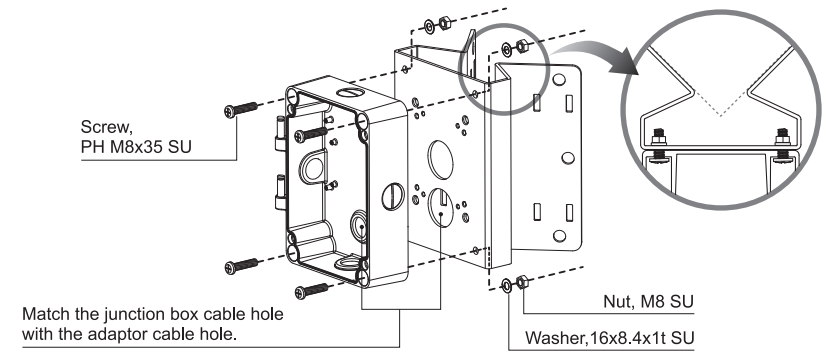
1. Using the Pole & Corner Mount Bracket as a template, mark the locations of the six screws holes where the mounting bracket will go.
2. Install the plastic anchors (D6) at the six pre-marked locations.
3. Use the T1 6x50 SU screws coupled with the 21x10.5x2t SU washers to affix the Pole & Corner Mount Bracket to the corner of a building structure.



(Over >)

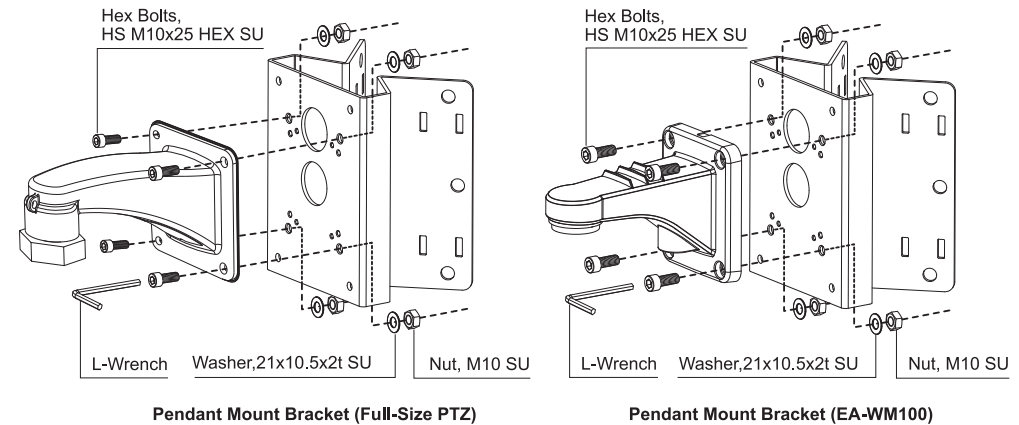
## MOUNTING THE JUNCTION BOX (EA-WM100) TO THE POLE & CORNER MOUNT

1. Using the appropriate screws, washers, and nuts supplied, affix the Junction Box base to the Pole & Corner Mount at the 4 corners of the mounting surface as shown below.



## MOUNTING TO THE WALL MOUNT BRACKETS

2. Using the appropriate hex bolts, washers, and nuts supplied, affix the Pendant Mount Brackets to the Pole & Corner Mount Bracket at the 4 corners of the mounting surface as shown below.



(Over >)