

VMP-006B

heavy duty double arm television wall mount

Product Features:

rotates 160° (wall) / 240° (tray) / 240° (elbow joint)

tray opens 20" to 30"

holds most monitors 19" to 23"

load capacity - 75 lbs

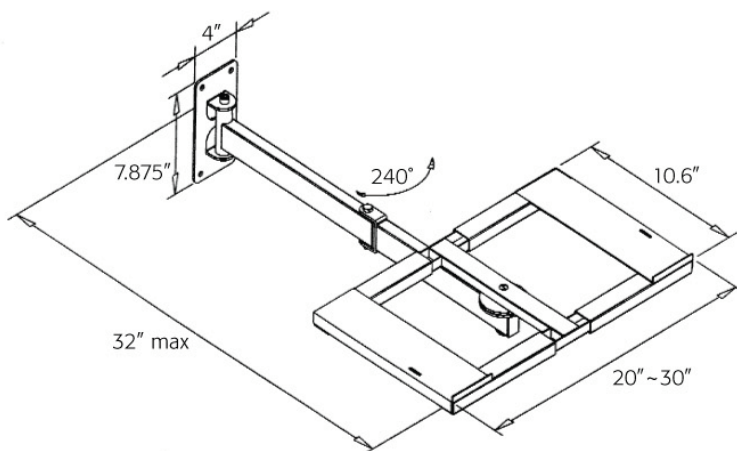
black powder coat finish

also available in white finish (VMP-001W)

Product Specifications:

(for Architects & Engineers)

The wall tray mount for TV/monitors shall be a Video Mount Products (VMP) model VMP001B. The mount shall be double armed and articulating. The mount will be designed to attach to a wooden or metal wall stud or other suitable support surface. The mount construction shall incorporate tubular steel, nylon filled nuts, and arc welds. This mount will swivel 240°. It shall be capable of adjusting to the dimensions of a 19" to 23" TV/Monitor. The mount tray shall open 20" to 30" (Left to Right). The load capacity shall be 75 lbs. A safety security strap shall be included.



Video Mount Products

325 Log Canoe Circle

Stevensville, MD 21666

Phone: 410.643.6390

Fax: 410.643.6615

www.videomount.com

VMP
VIDEO MOUNT PRODUCTS