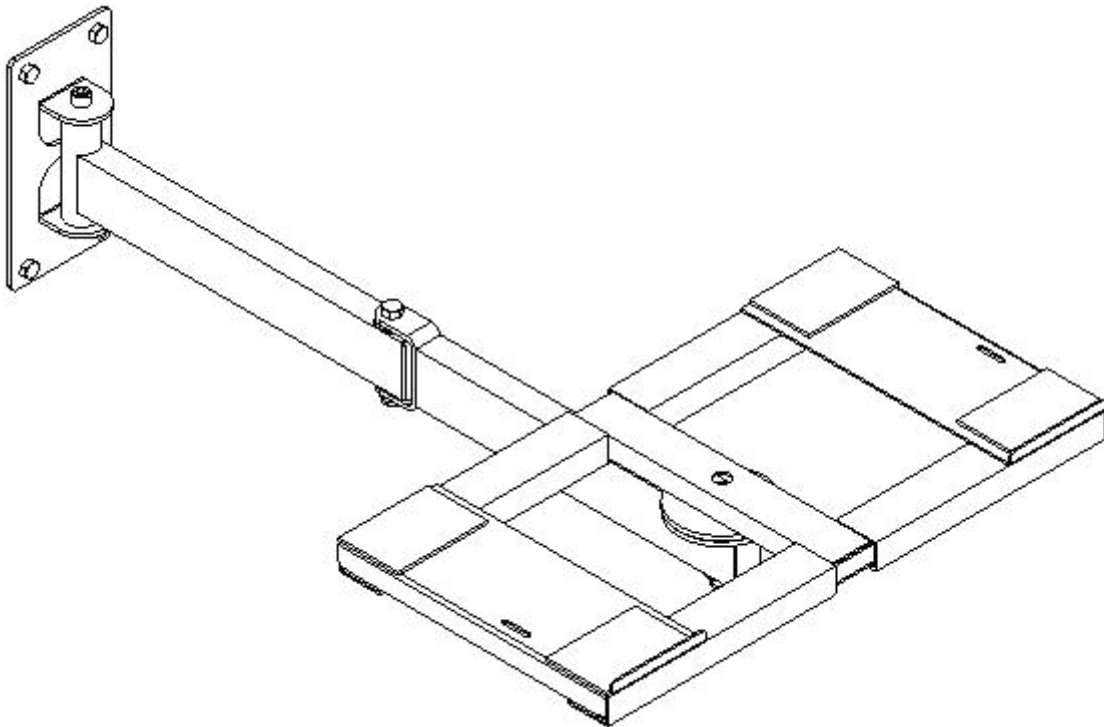


VMP

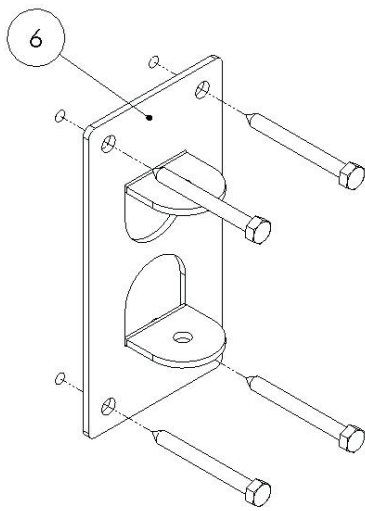
VIDEO MOUNT PRODUCTS

Instruction Sheet For:

VMP-006B & VMP-006W



*For more information, please contact us at:
325 Log Canoe Circle, Stevensville, Maryland 21666
(T) 410.643.6390 / (F) 410.643.6615
www.videomount.com*



Step 2: Attaching the wall bracket to the wall
(Lag screws are not included)

Step 1

Before starting, lay out all parts to your mount and match them to the parts list provided. Verify that you have all your parts before attempting to assemble the mount.

Step 2

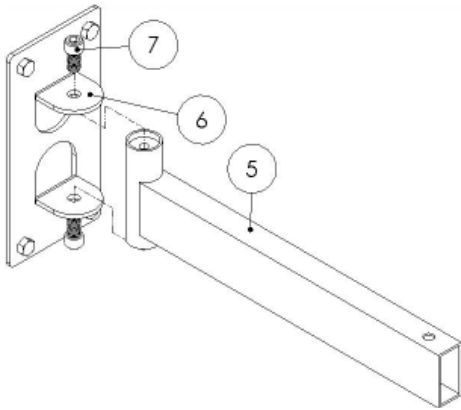
Mark the wall or desired mounting surface in preparation of installation of the wall plate (6). Pre-drill, if necessary, and mount the wall plate (6) to the desired mounting surface. **Warning: Please verify that your mounting surface will support the combined weight of your mount, mounting hardware, and monitor. Also verify that the mounting surface is safe to drill through. If in doubt, please contact a professional installer.**

Step 3

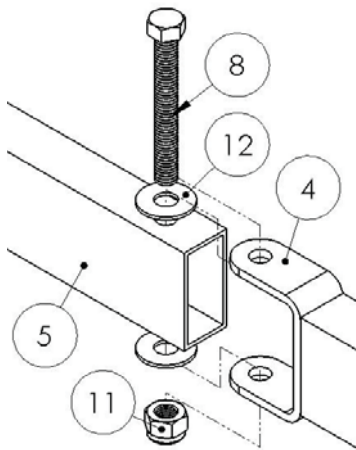
Attach the force arm (5) to the wall bracket (6) using the socket head screws (7) and large Allen key (15).

Step 4

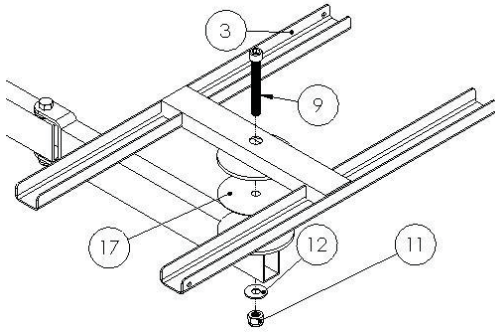
Attach the extension arm (4) to the force arm (5) using the hex head screw (8), washers (12) and nylon nut (11).



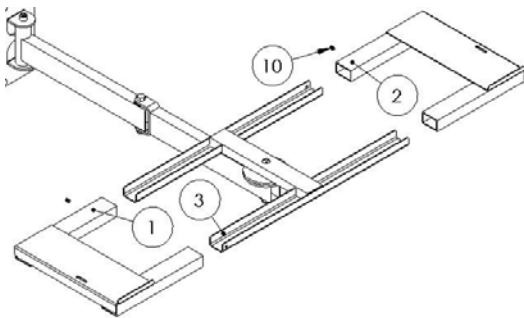
Step 3: Attaching the force arm to the wall bracket



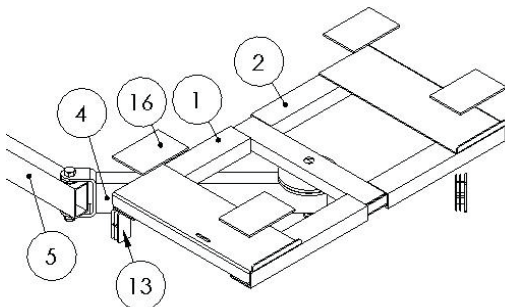
Step 4: Attaching the extension arm to the force arm



Step 5: Attaching the platform to the extension arm



Step 6: Sliding on the extension platforms onto the main platform



Step 7: Inserting the end plugs and applying the anti-skid strip

Step 5

Attach the platform ③ to the extension arm ④ using the longer socket head screw ⑨, a PVC washer ⑰ between the platform and extension arm, and a washer ⑫ and nylon nut ⑪ on the bottom.

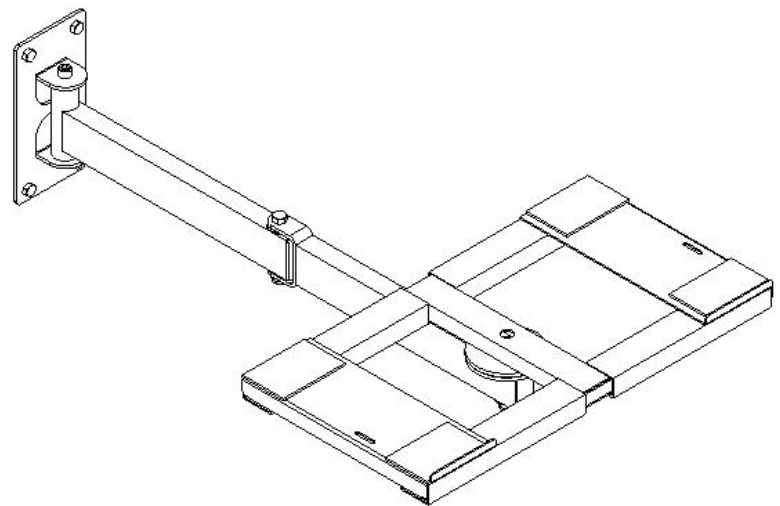
Step 6

Slide the left ① and right ② extension platforms onto the platform ③ and use brake screws ⑩ in the welded nut on each extension platform ① and ② to secure the extension platforms in position on the main platform ③.

Step 7

Insert end plugs ⑬ into the force arm ⑤ and extension arm ④. Apply the anti-skid strips ⑯ to the outer corners of the left ① and right ② extension platforms.

Please verify that all nuts and screws are tight.



Enjoy Your Mount!

WARNING: The installer of these products must verify that the mounting surface, ceiling or wall, will safely support the combined weight of all attached equipment and hardware. Video Mount Products will not be held liable for the improper use or installation of its products.