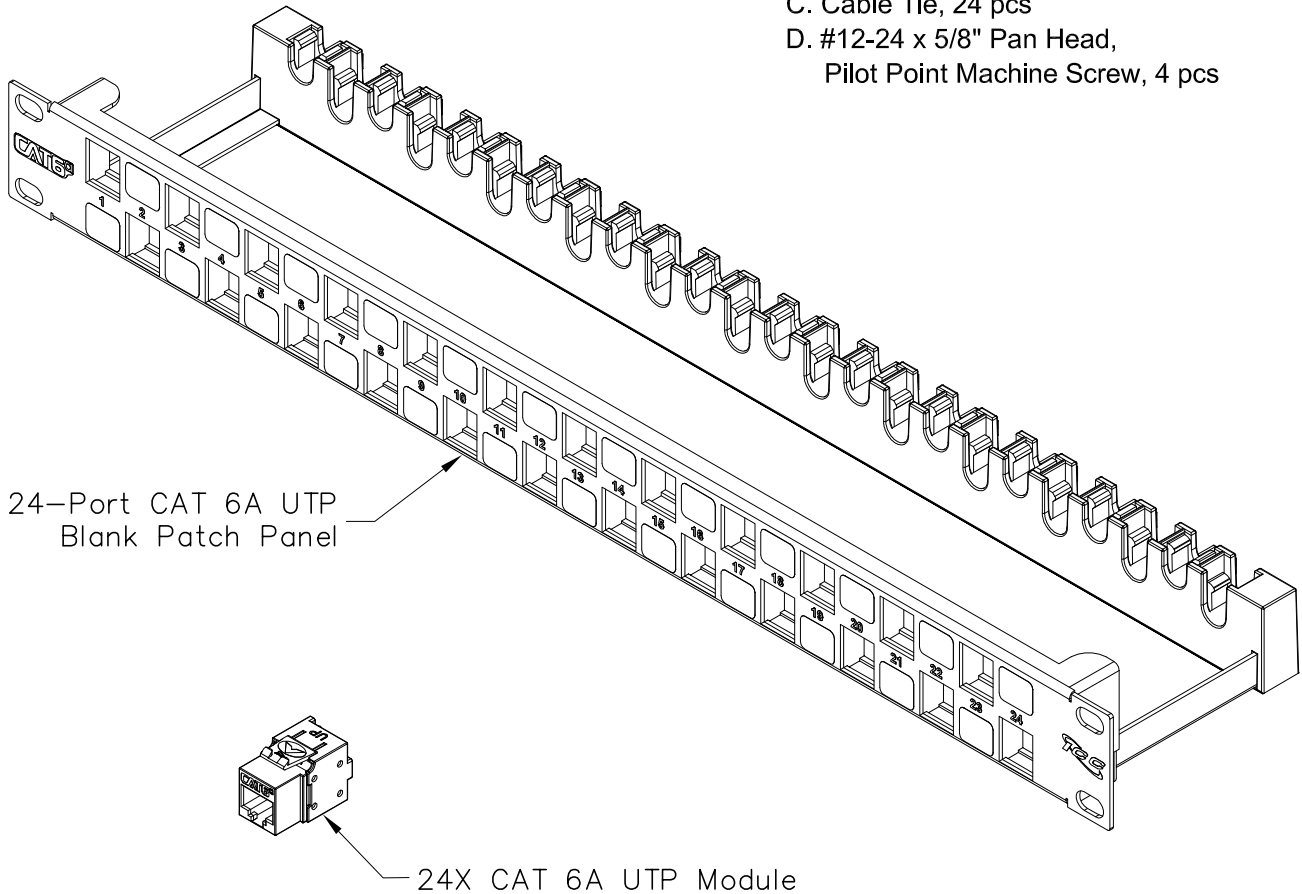


# 24-Port CAT 6A UTP Blank Patch Panel w/24 CAT 6A Inserts

## PRODUCT SPECIFICATION

### Package includes:

- A. 24-Port CAT6A UTP Blank Patch Panel, 1 pc
- B. CAT 6a, UTP, Modular Insert, 24 pcs
- C. Cable Tie, 24 pcs
- D. #12-24 x 5/8" Pan Head, Pilot Point Machine Screw, 4 pcs



### Features and Benefits:

- Accommodates ICC CAT6A UTP Modular Connector
- Designed to minimize the alien crosstalk for 10G applications
- Includes rear cable management to facilitate proper bend radius of cable
- Compatible with standard 19" distribution racks

### PATCH PANEL, CAT 6A, 24-P, 1 RMS

ITEM NO. ICMPP246AU  
 DWG NO. PSMPP246AU

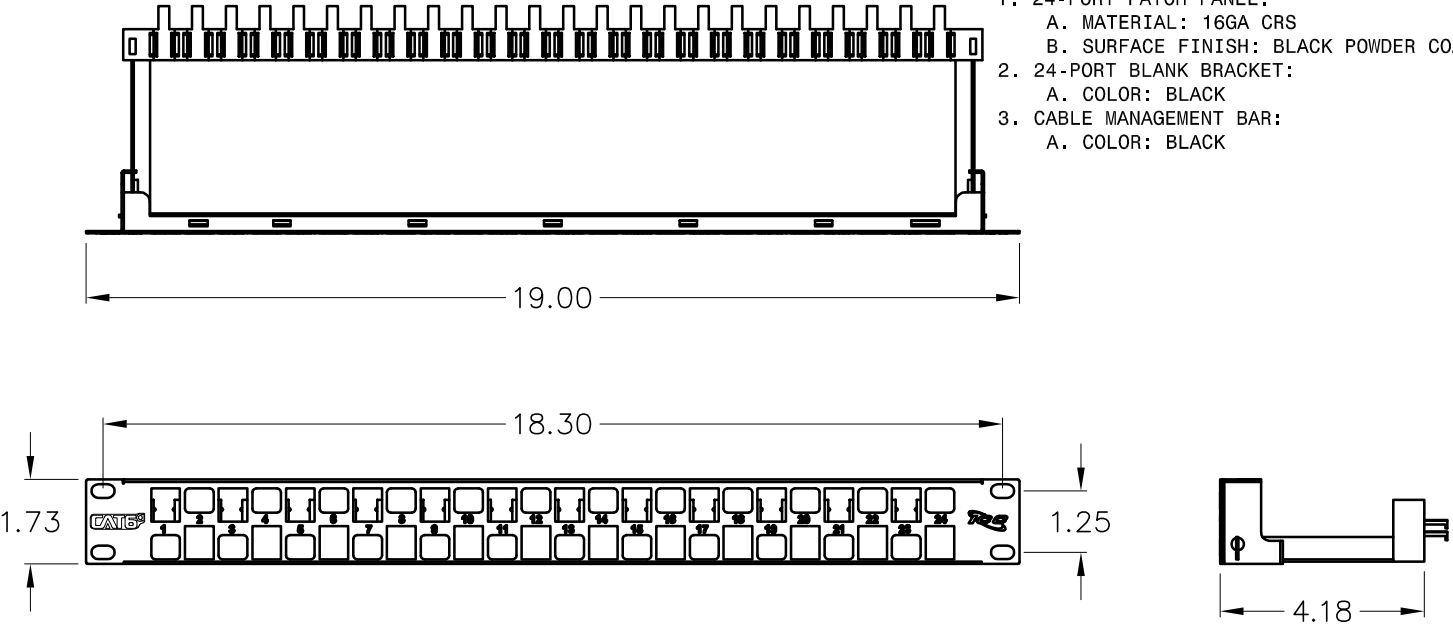
REV. A  
 PAGE NO. 1



CUSTOMER CARE / TECHNICAL SUPPORT \* CSR@ICC.COM / 888-ASK-4-ICC (275-4422) \* 14700 Alondra Blvd, La Mirada, CA 90638 \* Phone 562-356-3111 \* Fax 562-356-3100 \* www.icc.com

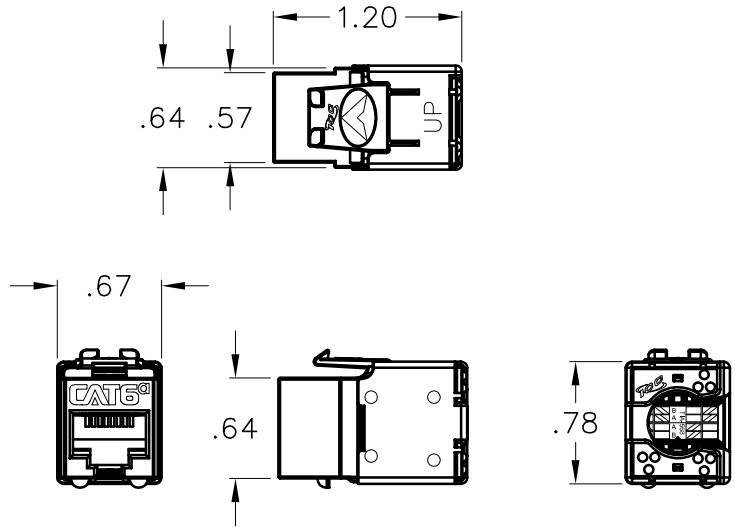
**NOTE: UNLESS OTHERWISE SPECIFIED**

- 1. 24-PORT PATCH PANEL:
  - A. MATERIAL: 16GA CRS
  - B. SURFACE FINISH: BLACK POWDER COAT
- 2. 24-PORT BLANK BRACKET:
  - A. COLOR: BLACK
- 3. CABLE MANAGEMENT BAR:
  - A. COLOR: BLACK



**NOTE: UNLESS OTHERWISE SPECIFIED**

- 1. CERTIFICATION:
  - A. MEETS TIA/EIA-568-B.2-10 CAT.6A
- 2. ENVIRONMENTAL CONDITION:
  - A. STORAGE: -40 TO +70° C
  - B. OPERATION: -10 TO +60° C
- 3. ELECTRICAL:
  - A. ELECTRICAL INSULATION RESISTANCE: 500 MΩ MIN @ 100V DC
  - B. DIELECTRIC WITHSTANDING VOLTAGE: 1000V DC OR AC PEAK CONTACT TO CONTACT @ 60Hz FOR 1 MINUTE
  - C. SPRING WIRE CONTACT RESISTANCE: 20 MΩ MAX.
  - D. IDC CONTACT RESISTANCE: 2.5 MΩ MAX.
- 4. MECHANICAL:
  - A. RETENTION: 50N (11 LBF) FOR 60s +/-5s
  - B. INSERTION/EXTRACTION LIFE: 750 CYCLES MIN.
- 5. CAT 6A MODULE:
  - A. MATERIAL:
    - HOUSING: HIGH-IMPACT, FLAME RETARDANT PLASTIC, UL 94V-0
    - IDC HOUSING: HIGH-IMPACT, FLAME RETARDANT PLASTIC, UL 94V-0
    - IDC CONTACT: PHOSPHOR BRONZE ALLOY WITH 100μ, 100% SN ALLOY
    - WIRE GAUGE: 23~24 AWG SOLID WIRE
    - SPRING WIRE: PHOSPHOR BRONZE ALLOY PLATED WITH 50μ GOLD OVER 70~100μ NICKEL
- 6. SHIELDED WIRE CAP:
  - A. MATERIAL: HIGH-IMPACT, FLAME RETARDANT PLASTIC, UL 94V-0



<b>PATCH PANEL, CAT 6A, 24-P, 1 RMS</b>			
ITEM NO.	ICMPP246AU		REV. A
DWG NO.	PSMPP246AU		PAGE NO. 2

CUSTOMER CARE / TECHNICAL SUPPORT \* CSR@ICC.COM / 888-ASK-4-ICC (275-4422) \* 14700 Alondra Blvd, La Mirada, CA 90638 \* Phone 562-356-3111 \* Fax 562-356-3100 \* www.icc.com