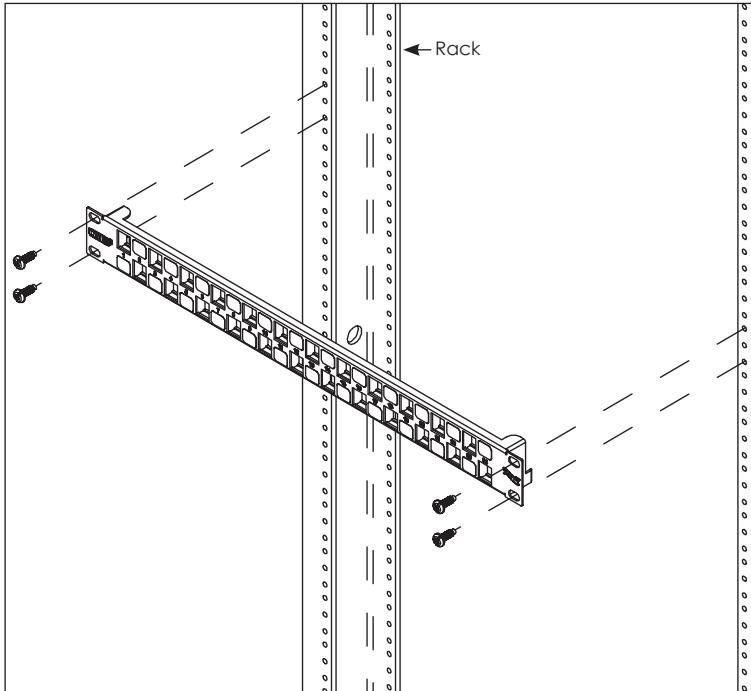


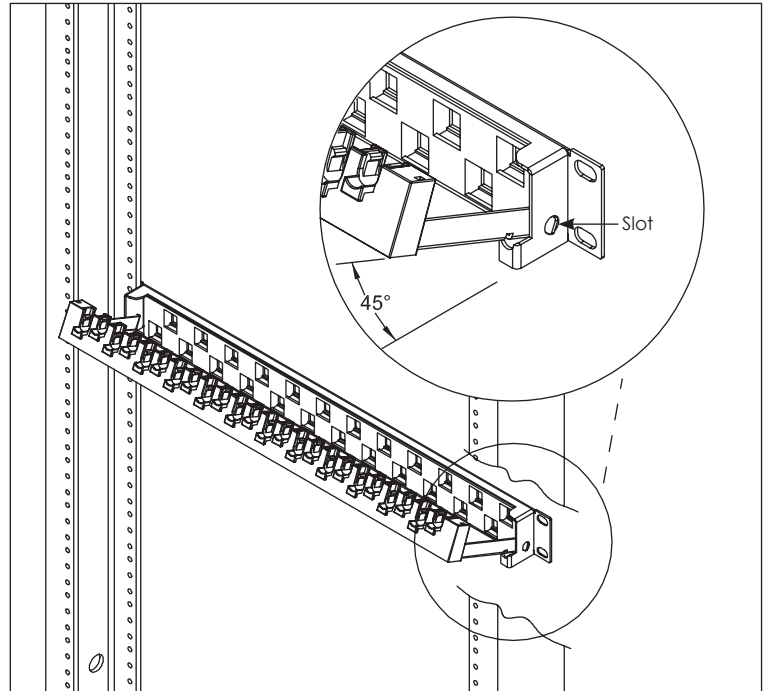


Configurable CAT 6A Unshielded Twisted Pair (UTP) Blank Patch Panel

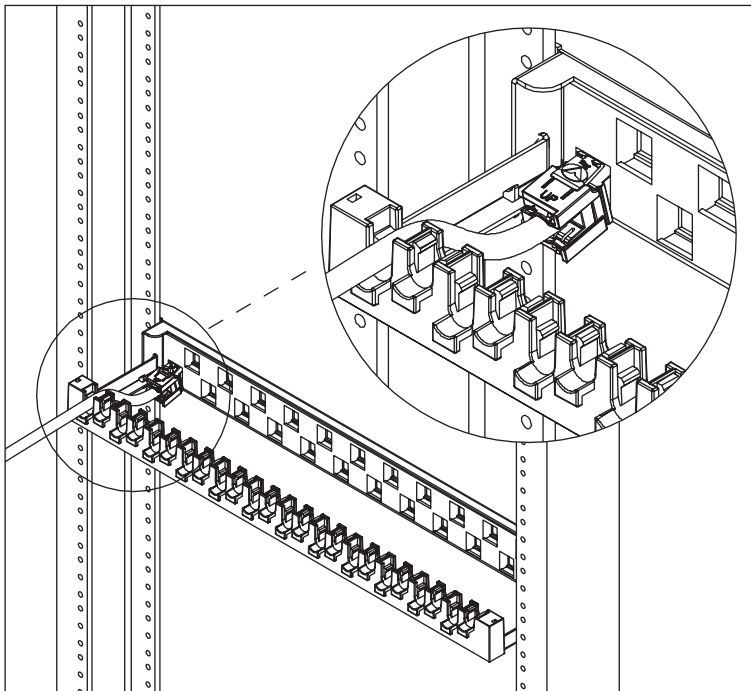
INSTALLATION INSTRUCTIONS



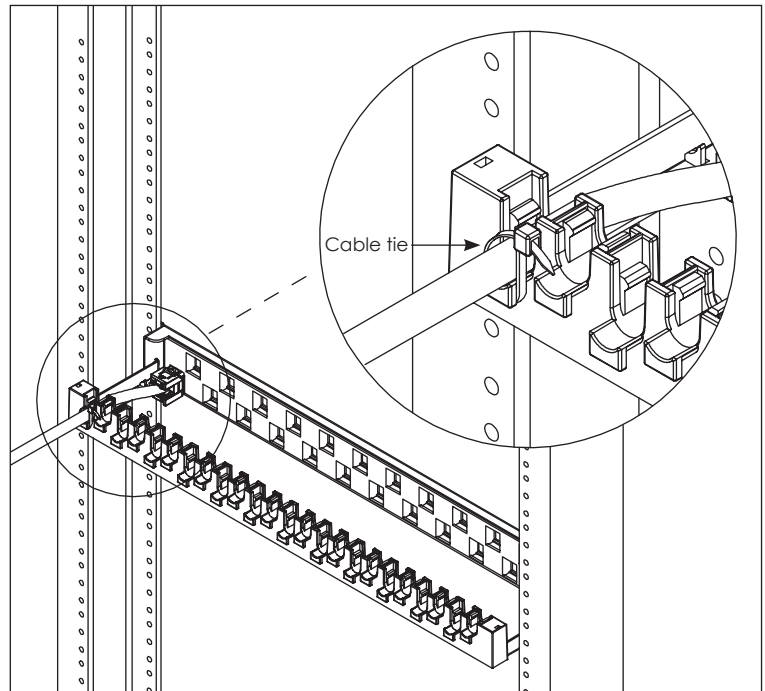
Step 1: Mount the patch panel to the rack using four (4) #12 rack screws.



Step 2: Install the cable management bar onto the rear of the patch panel. Tilt the bar upwards 45 degrees. Next, insert the tabs on the bar into the slots on both sides of the panel, then tilt the bar down.



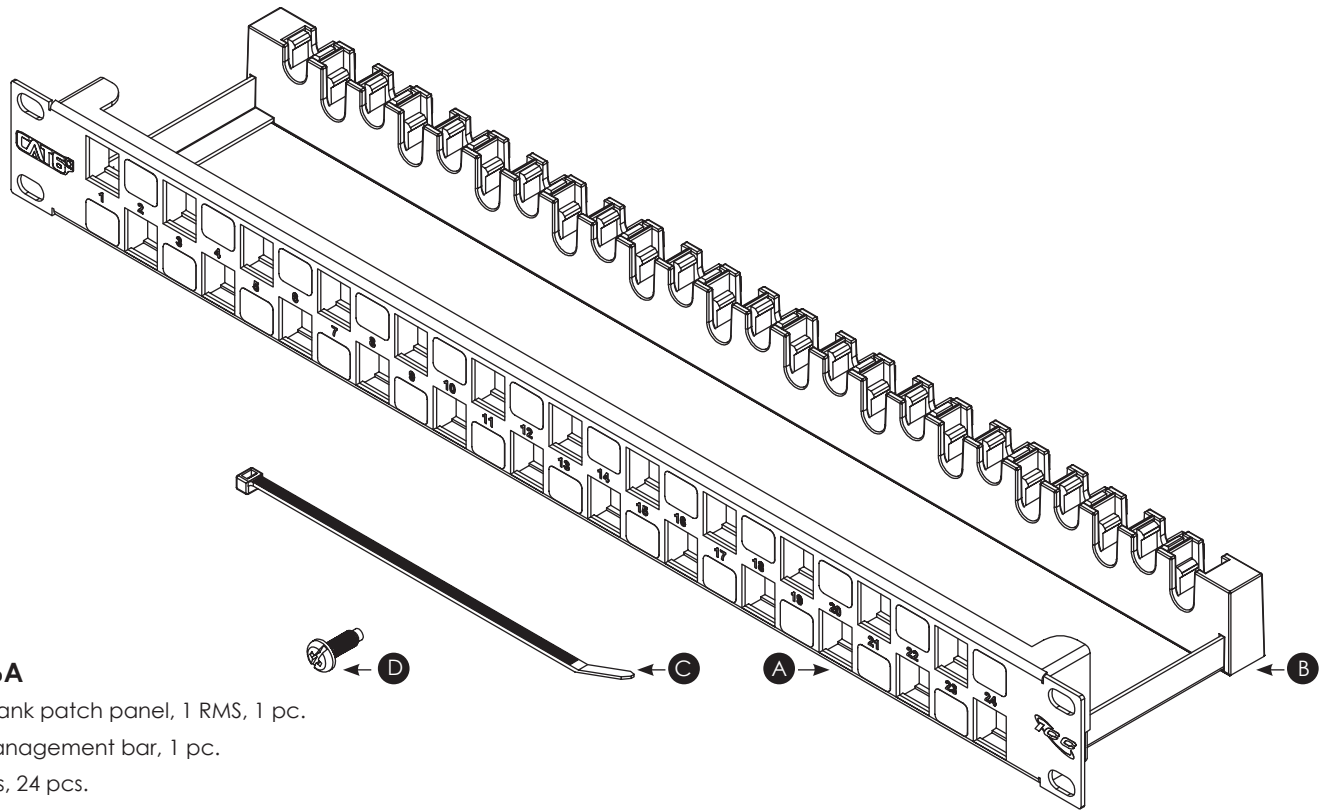
Step 3: Insert the CAT 6A HD modular connectors into the port on the patch panel. Note: Inspect the connectors to ensure it is fully seated, and the front is flush with the panel.



Step 4: Secure the cable to the cable management bar using a nylon cable tie. Note: A slot is designed on the bar, allowing you to insert and loop the tie around the cable.

Configurable CAT 6A Unshielded Twisted Pair (UTP) Blank Patch Panel

INSTALLATION INSTRUCTIONS



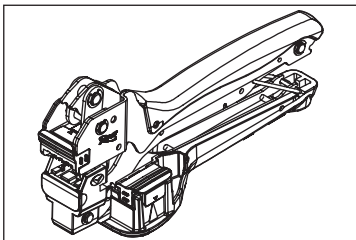
IC107PPU6A

- Ⓐ 24-Port blank patch panel, 1 RMS, 1 pc.
- Ⓑ Cable management bar, 1 pc.
- Ⓒ Cable ties, 24 pcs.
- Ⓓ #12-24 x 5/8 rack screws, 4 pcs.

FEATURES AND BENEFITS

- Panel is configurable with up to 24 CAT 6A UTP modular connectors
- Designed to rack mount CAT 6A HD 10G connectivity
- Panel comes with a cable management bar to support terminated cable from the rear
- Panel fits 1 Rack Mount Space (RMS) and 19" EIA rack mount widths
- Package includes cable ties and #12 rack screws

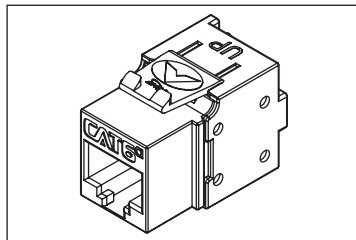
OPTIONAL ACCESSORIES



JackEasy™ Termination Tool

ICACSPDTEH

- Works with HD and EZ connectors
- Terminates all 4 pairs of wires
- Both blades included
- Sturdy metal body
- Anti-slip grip

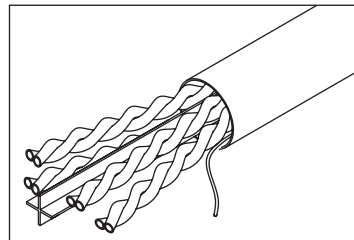


CAT 6A UTP Modular Connectors

IC1078GAxx*

- 8P8C
- Rear split-back IDC
- Shielded termination cap
- 50 micro-inch gold plated contacts

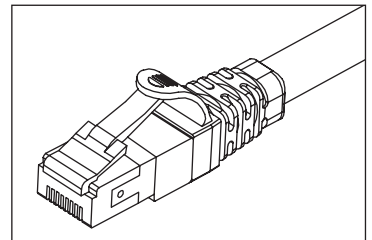
Color (xx¹) = WH, IV, BL, OR, RD, BK



CAT 6A UTP Premise Cables

- | | |
|-------------------------|-----|
| ICCABP6Axx ¹ | CMP |
| ICCABR6Axx ¹ | CMR |
- 650 MHz, 4-Pair, 23 AWG
 - Solid copper cable
 - Designed with an X separator
 - 1000 feet per reel

Color (xx¹) = WH, BL



CAT 6A FTP Patch Cords

ICPCSGzzxx¹

- 4-Pair, 26 AWG
- Stranded conductors
- 360° shielding from EMI
- Factory tested and wired T568

Length (zz¹) = 03, 05, 07, 10, 15, 25 feet
Color (xx¹) = WH, BL, YL, BK

888-ASK-4ICC

csr@icc.com

icc.com