

SSC-YM411R/YM410R/ YM401R/YM400R

Analog Color Mini Dome Cameras

SONY
make.believe

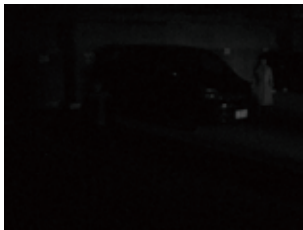
540 TV Line Security Cameras with IR Illuminators

- Horizontal resolution of 540 TV lines
- High Sensitivity
- Built-in IR illuminators
- Fixed focal lens (6-mm lens for SSC-YM411R/410R, 3-mm lens for SSC-YM401R/400R)
- Electronic Day/Night function



KEY FEATURES

- Built-in IR (infrared) illuminators to assist capturing objects in the dark even under 0 lx, up to 5 m (16 feet) away



OFF



ON

- High resolution (540 horizontal TV lines) and high sensitivity (B/W: 0 lx at 50 IRE, F1.8 for SSC-YM411R/YM410R and F2.0 for SSC-YM401R/YM400R) achieved by an 1/3-type "EXview HAD CCD II" sensor and Sony's new digital signal processor, "Effio-E"

EXviewHAD CCD II™

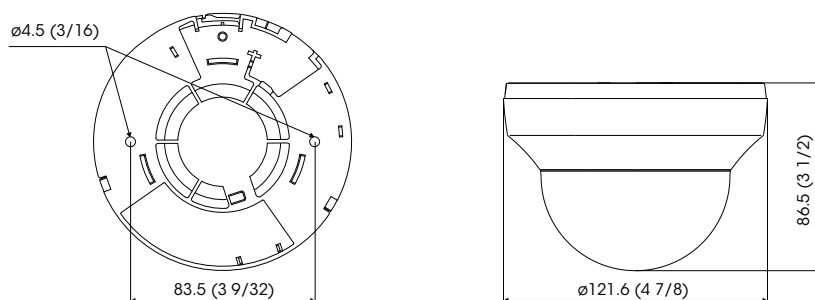
- Easy and flexible camera angle adjustment achieved by a new three-hinge structure
- Electronic Day/Night function to switch to Day or Night mode depending on the light level

- ATR-Lite (Adaptive Tone Reproduction Lite) to compensate for gradation of subjects to an optimum level
- ATW (Automatic Tracing White) balance which automatically adjusts the camera's white balance to adapt to sudden changes in lighting conditions
- Color rolling suppressor function, which can minimize color rolling phenomena and optimize the camera's white balance
- 2D noise reduction employed
- DC 12 V operation ($\pm 10\%$)
- Custom template supplied

SPECIFICATIONS

	SSC-YM411R	SSC-YM410R	SSC-YM401R	SSC-YM400R
Camera				
Image Sensor	1/3-type 760H Super HAD CCD II	1/3-type 760H Super HAD CCD II	1/3-type 760H Super HAD CCD II	1/3-type 760H Super HAD CCD II
Image Sensor (Number of Effective Pixels)	Approx. 0.44 Megapixels	Approx. 0.38 Megapixels	Approx. 0.44 Megapixels	Approx. 0.38 Megapixels
Signal System	PAL	NTSC	PAL	NTSC
Minimum Illumination (50 IRE)	B/W: 0 lx (F1.8)	B/W: 0 lx (F1.8)	B/W: 0 lx (F2.0)	B/W: 0 lx (F2.0)
S/N Ratio	More than 55 dB	More than 55 dB	More than 55 dB	More than 55 dB
Gain	Auto	Auto	Auto	Auto
Shutter Speed	Auto	Auto	Auto	Auto
Sync System	Internal only	Internal only	Internal only	Internal only
White Balance	ATW (2000K to 10000K)	ATW (2000K to 10000K)	ATW (2000K to 10000K)	ATW (2000K to 10000K)
Lens	Mono-focal type	Mono-focal type	Mono-focal type	Mono-focal type
Horizontal Viewing Angle	46.5°	46.5°	96.3°	96.3°
Vertical Viewing Angle	34.5°	34.5°	68.7°	68.7°
Swivel Range	350°	350°	350°	350°
Focal Length	f=6 mm	f=6 mm	f=3.1 mm	f=3.1 mm
F-Number	F1.8	F1.8	F2.0	F2.0
Minimum Object Distance	800 mm	800 mm	400 mm	400 mm
Horizontal Resolution	540 TVL	540 TVL	540 TVL	540 TVL
Pan/Tilt Angle	355°/±66°	355°/±66°	355°/±66°	355°/±66°
Infrared Illuminators	10 pcs	10 pcs	10 pcs	10 pcs
Infrared Irradiation Distance	5 m at 50 IRE	5 m at 50 IRE	5 m at 50 IRE	5 m at 50 IRE
Camera Features				
Day/Night	Yes (Electronic D/N)	Yes (Electronic D/N)	Yes (Electronic D/N)	Yes (Electronic D/N)
Image Enhancement	Yes (ATR-Lite)	Yes (ATR-Lite)	Yes (ATR-Lite)	Yes (ATR-Lite)
Noise Reduction	Yes (2DNR)	Yes (2DNR)	Yes (2DNR)	Yes (2DNR)
General				
Power Requirements	DC 12 V ±10%	DC 12 V ±10%	DC 12 V ±10%	DC 12 V ±10%
Power Consumption	2.7 W max.	2.7 W max.	2.7 W max.	2.7 W max.
Operating Temperature	-10°C to +50°C (14°F to 122°F)	-10°C to +50°C (14°F to 122°F)	-10°C to +50°C (14°F to 122°F)	-10°C to +50°C (14°F to 122°F)
Storage Temperature	-40 °C to +60 °C (-40°F to +140°F)	-40 °C to +60 °C (-40°F to +140°F)	-40 °C to +60 °C (-40°F to +140°F)	-40 °C to +60 °C (-40°F to +140°F)
Operating Humidity	20% to 80%	20% to 80%	20% to 80%	20% to 80%
Storage Humidity	20% to 95%	20% to 95%	20% to 95%	20% to 95%
Dimensions	ø121.6 mm x 86.5 mm (ø4 7/8 inches x 3 1/2 inches)	ø121.6 mm x 86.5 mm (ø4 7/8 inches x 3 1/2 inches)	ø121.6 mm x 86.5 mm (ø4 7/8 inches x 3 1/2 inches)	ø121.6 mm x 86.5 mm (ø4 7/8 inches x 3 1/2 inches)
Mass	260 g (9.2 oz)	260 g (9.2 oz)	260 g (9.2 oz)	260 g (9.2 oz)
Safety Regulations	EN55022 (Class A) + EN50130-4 EN55022 (Class A) + EN55024 AS/NZS CISPR22 (EN55022) Class A IEC60065 GOST-R IEC60065 compliance	UL2044 FCC/IC Class A IEC60065	EN55022 (Class A) + EN50130-4 EN55022 (Class A) + EN55024 AS/NZS CISPR22 (EN55022) Class A IEC60065 GOST-R IEC60065 compliance	UL2044 FCC/IC Class A IEC60065
Ingress Protection	No	No	No	No
Supplied Accessories	Operating instructions (1) Template (1)	Operating instructions (1) Template (1)	Operating instructions (1) Template (1)	Operating instructions (1) Template (1)

DIMENSIONS



Unit: mm (inches)

Distributed by

© 2012 Sony Corporation. All rights reserved.
 Reproduction in whole or in part without written permission is prohibited.
 Features and specifications are subject to change without notice.
 The values for weight and dimension are approximate.
 "Sony", "make.believe", "Effio-E", and "EXview HAD CCD II"
 are trademarks of Sony Corporation.
 All other trademarks are the property of their respective owners.