



## EVERFOCUS

Indoor Color 3-Axis 630TVL  
IR Dome Camera  
Operation Instructions



Model No. **ED635**

Please read this manual first for correct installation and operation. This manual should be retained for future reference. The information in this manual was current when published. The manufacturer reserves the right to revise and improve its products. All specifications are therefore subject to change without notice.

### **PRECAUTIONS**

- 1. Do not install the camera near electric or magnetic fields.**  
Install the camera away from TV/radio transmitters, magnets, electric motors, transformers and audio speakers since the electromagnetic fields generated from these devices may distort the video image or otherwise interfere with camera operation.
- 2. Never disassemble the camera beyond the recommendations in this manual nor introduce materials other than those recommended herein.** Improper disassembly or introduction of corrosive materials may result in equipment failure or other damage.
- 3. Try to avoid facing the camera toward the sun.**  
In some circumstances, direct sunlight may cause permanent damage to the sensor and/or internal circuits, as well as creating unbalanced illumination beyond the capability of the camera to compensate.
- 4. Keep the power cord away from water and other liquids and never touch the power cord with wet hands.** Touching a wet power cord with your hands or touching the power cord with wet hands may result in electric shock.
- 5. Never install the camera in areas exposed to oil, gas or solvents.**  
Oil, gas or solvents may result in equipment failure, electric shock or, in extreme cases, fire.
- 6. Cleaning**  
For cameras with interchangeable lenses, do not touch the surface of the sensor directly with the hands. Use lens tissue or a cotton tipped applicator and ethanol to clean the sensor and the camera lens. Use a damp soft cloth to remove any dirt from the camera body. Please do not use complex solvents, corrosive or abrasive agents for cleaning of any part of the camera.

7. **Do not operate the camera beyond the specified temperature, humidity or power source ratings.** This camera is suitable for indoor operation only. Use the camera at temperatures within -10° ~ +50° (14°F~122°F) and humidity between 30% and 80%. The input power source is 12VDC. Regulated power supply required.

**8. Mounting**

Use care in selecting a solid mounting surface which will support the weight of the camera plus any wind, snow, ice or other loading, and securely attach the camera to the mounting surface using screws and anchors which will properly support the camera. If necessary (e.g. when mounting to drop ceilings) use a safety wire to provide additional support for the camera.

## Table of Contents

Product Overview .....	1
Main Features .....	1
Box Contents .....	1
Specifications.....	2
Dimensions .....	3
Installation .....	3

## Product Overview

Get superior performance and high resolution images in bright light or *no* light. The EverFocus ED635 uses a Sony Super HAD II Color CCD to produce high quality color images with a minimum of 630 horizontal TV lines of resolution. Combine this with digital day/night, a native low light sensitivity of 0.01 lux, and 24 IR LEDs with a range of 82 feet (depending on scene IR reflectivity), a 3-axis wall or ceiling mount indoor plastic housing and you have a cost effective camera that fits a wide variety of indoor applications. The ED635 comes with a 3.6mm that covers a field of view 67° wide. With low 12VDC current draw, this is the camera that you have been waiting for to create analog CCTV systems that deliver superior image clarity in a wide range of indoor applications at virtually any light level.

## Features

- High resolution of 630TVL
- 1/3” Sony Super HAD II Color CCD
- 24 IR LEDs with range of 82 feet
- Digital Day/Night
- 3-Axis camera mount
- 3.6mm fixed lens
- DC12V

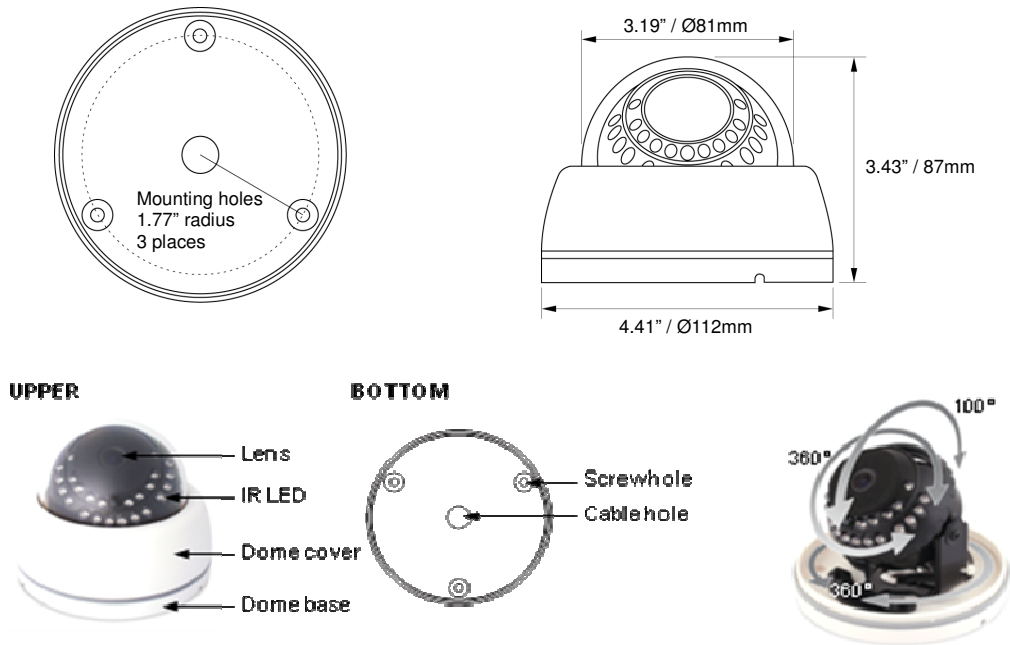
## Box Contents

- Camera
- User Guide
- Mounting Screw (3)
- Power adaptor pigtail
- Housing Opener
- Mounting template

## Specifications

MODEL	ED635
TV System	NTSC
Image Sensor	1/3" Sony Super HAD II Color CCD
Effective Pixels	768Hx494V
Resolution	630 TV Lines
Lens	3.6mm
Scanning System	525Lines, 2:1Interlace
Scanning Frequency	15.734KHz(H),59.94Hz
Auto Shutter Speed	1/60 to 1/100,000sec.
Sync. System	Internal
S/N Ratio	More than 48dB (AGC off)
Day & Night	Digital Day/Night
IR LEDs	24 LEDs, 850nm
IR Range	82 feet
Auto Gain Control	On (Range 4~30dB)
Min. Illumination	0.01 lux nominal; 0 lux with IR LEDs on
Gamma Correction	0.45
White Balance	AWB ( 2,100°k ~ 9,100°k)
Video Output	CVBS, 1Vp-p, 75Ω
Power Supply	DC 12V±10%
Power Consumption	110mA Nominal / 320mA IR ON
Operating Temperature	14°F ~ 122°F ; -10 °C~50 °C
Storage Temperature	-4°F ~ 140°F ; -20 °C~60 °C
Operating Humidity	80% RH max.
Dimension	4.41"/112mm diameter, 3.43"/87mm high
Weight	7.41oz/210g
Certifications	CE/FCC

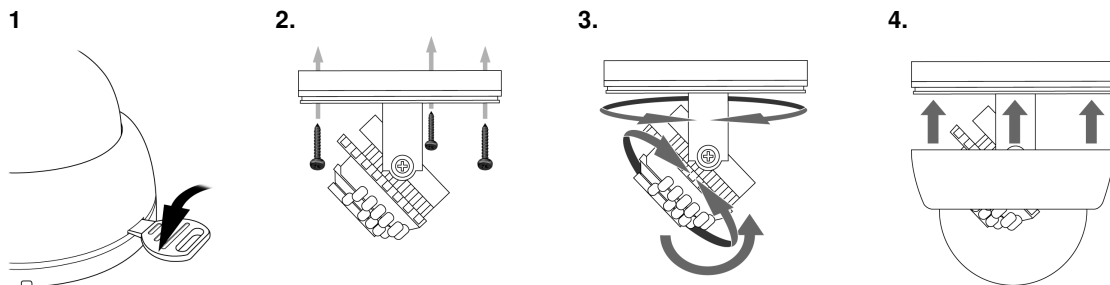
## Dimensions



## Installation

**Warning:** To prevent electrical shock, turn off the electrical power before making electrical connections.

1. Select mounting location. Open cover using tool provided.
2. Place template and drill holes (5/8" minimum for wires, ~1/4" for hollow wall anchors; ~3/32" pilot hole for screws alone). Insert wall anchors if used.
3. Mount camera to ceiling with 3 screws and adjust camera direction.
4. Replace dome cover on base (snaps on).



# EverFocus Electronics Corp.

## Corporate Headquarters:

12F, No.79 Sec. 1 Shin-Tai Wu Road,  
Hsi-Chih, Taipei, Taiwan  
TEL: +886-2-26982334  
FAX: +886-2-26982380  
www.everfocus.com.tw  
[marketing@everfocus.com.tw](mailto:marketing@everfocus.com.tw)

## China Office:

Room 609, Technology Trade Building,  
Shangdi Information Industry Base,  
Haidian District, Beijing, China 100085  
TEL: +86-10-62973336~39  
FAX: +86-10-62971423  
www.everfocus.com.cn  
[marketing@everfocus.com.cn](mailto:marketing@everfocus.com.cn)

## U.S.A - California Office:

1801 Highland Avenue Units A & B  
Duarte, CA 91010  
TEL: +1-626-844-8888  
FAX: +1-626-844-8838  
www.everfocus.com  
[sales@everfocus.com](mailto:sales@everfocus.com)

## U.S.A - New York Office:

415 Oser Avenue Unit S  
Happauge, NY 11788  
TEL: +1-631-436-5070  
FAX: +1-631-436-5027  
www.everfocus.com  
[sales@everfocus.com](mailto:sales@everfocus.com)

## Europe - Germany Office:

Albert-Einstein-Strasse 1,  
D-46446 Emmerich, Germany  
TEL: +49-2822-93940  
FAX: +49-2822-939495  
www.everfocus.de  
[info@everfocus.de](mailto:info@everfocus.de)

## Japan Office:


5F Kinshicho city Building,  
2-13-4 Koto-Bashi,  
Sumida-Ku, Tokyo, 130-0022 Japan  
TEL: +81-3-5625-8188  
FAX: +81-3-5625-8189  
www.everfocus.co.jp  
[info@everfocus.co.jp](mailto:info@everfocus.co.jp)

## India Office:

Suite 803, Housefin Bhavan, C-21,  
Bandra Kurla Complex, Bandra (East),  
Mumbai 400051. India.  
TEL: +91-222-444-8791  
FAX: +91-222-444-8790  
[www.everfocus.in](http://www.everfocus.in)

## UK Office:

Unit 12 Spitfire Business Park  
Hawker Road  
Croydon, CR0 4WD  
London: 0845 430 9999  
Telford: 0845 430 8888  
Fax: 020 8649 9907  
[uk.support@EverFocus.com](mailto:uk.support@EverFocus.com)

	<p>Your EverFocus product is designed and manufactured with high quality materials and components which can be recycled and reused. This symbol means that electrical and electronic equipment, at their end-of-life, should be disposed of separately from your household waste. Please, dispose of this equipment at your local community waste collection/recycling centre. In the European Union there are separate collection systems for used electrical and electronic product. Please, help us to conserve the environment we live in!</p>	<p>Ihr EverFocus Produkt wurde entwickelt und hergestellt mit qualitativ hochwertigen Materialien und Komponenten, die recycelt und wieder verwendet werden können. Dieses Symbol bedeutet, dass elektrische und elektronische Geräte am Ende ihrer Nutzungsdauer vom Hausmüll getrennt entsorgt werden sollen. Bitte entsorgen Sie dieses Gerät bei Ihrer örtlichen kommunalen Sammelstelle oder im Recycling Centre.</p>
---	--	--

