

# HG1214AFCS-3

**12mm F1.4**  
**for 1/2 type Cameras, Fixed-focal Auto Iris VIDEO Drive**  
**CS-Mount**

with Focus and Amplifier

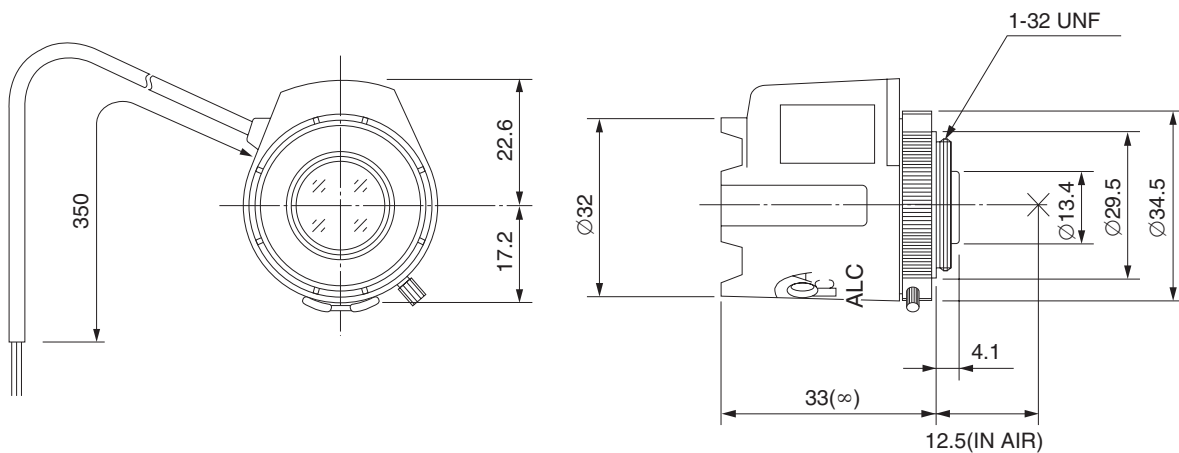
Model No.	HG1214AFCS-3		Effective	Front	Ø13.0mm		
Focal Length	12mm		Lens Aperture	Rear	Ø8.8mm		
Max. Aperture Ratio	1:1.4		Back Focal Length	8.6mm			
Max. Image Format	6.4mm x 4.8mm(Ø8mm)		Flange Back Length	12.5mm			
Operation Range	Iris	F1.4 - F360C	Mount	CS-Mount			
	Focus	0.3m - Inf.	Filter Size	—			
Control	Iris	Video Auto Iris	Dimensions	Ø32mm x 39.8mm x 33mm			
	Focus	Manual	Weight	39g			
Object Dimension at M.O.D.	16.3cm x 12cm						
Angle of View	D	1/2 type	38.5°	1/3 type	28.6°	1/4 type	21.3°
	H		30.4°		22.7°		17.0°
	V		22.7°		17.0°		12.8°
Supply Voltage	DC8V - DC16V						
Current	Less than 35mA						
Response Time	Approx. 2 sec.						
Light Weighting Method	Adjustable between Average - Peak (to be Set at Average at Factory)						
Input Signal	Video Signal (V. or V.S.)						
Iris Accuracy	±15% at Video Signal Level						
Sensitivity Adjustment	0.5V(p-p) - 1.0V(p-p) (Video Signal)						
Input Impedance	High Impedance						
Operating Temperature	-20°C - +50°C						

**1/2**  
type

**CS**

M.O.D : Minimum Object Distance

**Dimensions**



**Wiring Diagram**

