

FUSION

illuminators installation guide

This installation guide provides instructions for installing the RAYMAX and RAYLUX FUSION series illuminators

Installation Steps

1. Mount Illuminator
2. Connect Illuminator to low voltage power supply
3. Input 12-24V DC/ 24V AC

Optional Set-up (if required)

4. Adjust Power to alter light intensity
5. Adjust Photocell sensitivity
6. Photocell following contact

RM/RL F 100 Setup

7. Telemetry input and photocell following contact

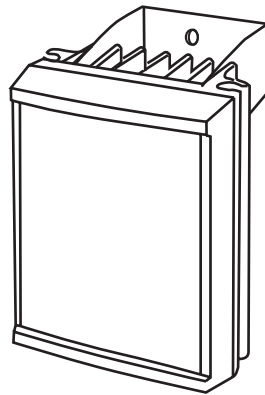
Set Up Steps

1. Position illuminator adjacent to camera and point towards scene
2. Adjust vertical and horizontal position of lamp to ensure full field of view illuminated
3. Tighten all fixings

Package Contents

1. Illuminator including mounting bracket
(RM/RL F 100 only, includes additional wiring loom)

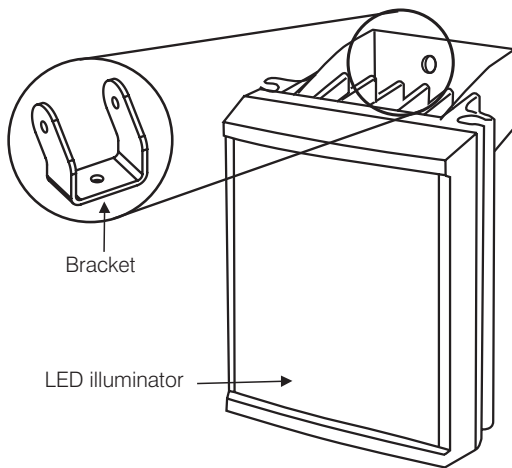
Overview



RAYMAX / RAYLUX
FUSION illuminator

GOLDEN RULES:

- Ensure operating voltage is correct for unit being installed (12-24V DC/ 24V AC)



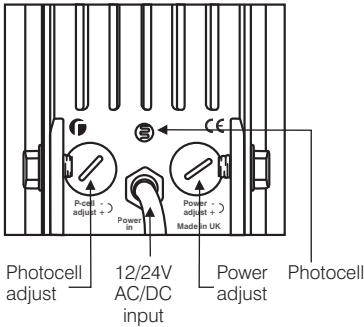
Bracket

LED illuminator

Back of Unit

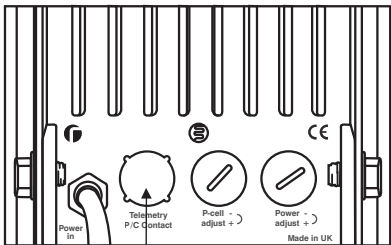
'Command and Control' Technology™

RM/RL F 25 & 50



+ Photocell following contact

RM/RL F 100



Telemetry Input & Photocell following contact

Cables

RM/RL F 25 & 50

1x four core cable

	DC	AC
Black wire	-	~
Red wire	+	~

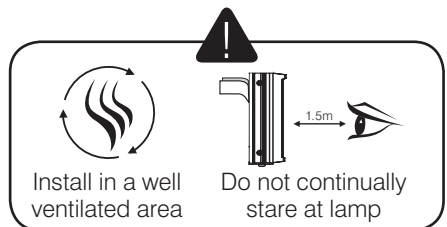
Orange and Brown wires = Photocell following contact.
Volt free output. Non polarity sensitive.

RM/RL F 100

1x four core cable loom

	DC	AC
Black wire	-	~
Red wire	+	~

RM/RL 100 is supplied with additional cable loom
Black & White wires = Photocell following contact.
Volt free output. Non polarity sensitive.
Brown & Blue wires = Telemetry connection.
Requires volt free input.

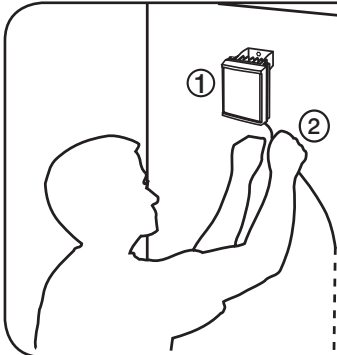


Install in a well ventilated area

Do not continually stare at lamp

Specifications subject to change without notice. Installation to be carried out by suitable trained and qualified personnel.

Installation



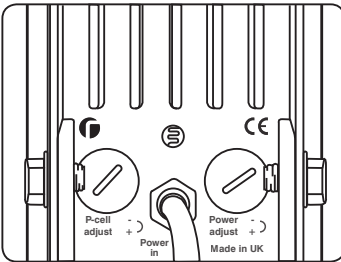
- 1 Mount illuminator
- 2 Connect Illuminator to low voltage power supply: Installers can extend or reduce lead length using appropriate cable and weather proof box
- 3 Input 12-24V DC/ 24V AC

Note: Red = **positive**
Black = **negative**

Optional Set-up (if required)

Note: Factory set to max. power

RM/RL F 25 & 50



- 4 Adjust Power to alter light intensity. Remove the cover and turn the 'power adjust' to alter the intensity of the light level.

Clockwise = **increase**
Anticlockwise = **decrease**

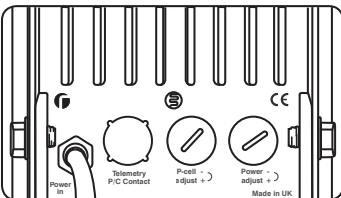
- 5 Adjust Photocell sensitivity. Remove the cover and turn the 'photocell adjust' to alter photocell sensitivity to ambient lighting condition.

Clockwise = **more** sensitive
Anticlockwise = **less** sensitive

- 6 Photocell following contact, volt free relay contact - normally open (day) to normally closed (night).

RM/RL F 25 & 50 only
Orange and brown wires =
Photocell following contact

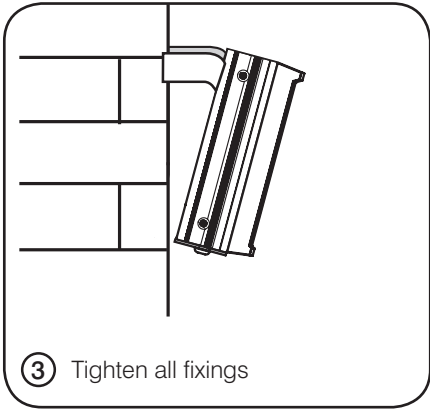
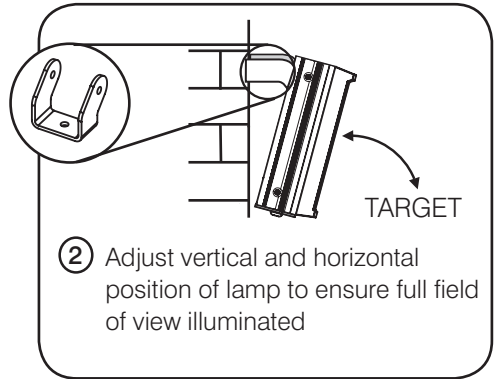
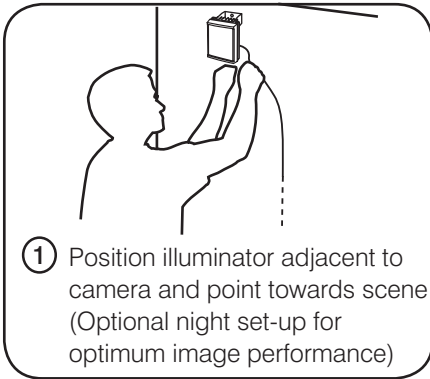
RM/RL F 100 only



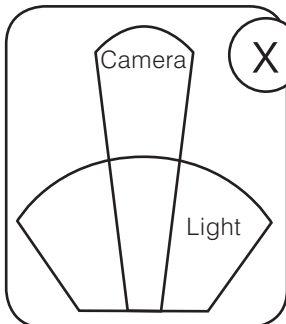
- 7 **RM/RL F 100 only:** Telemetry input and photocell following contact. Remove cap on telemetry and photocell following contact connector. Connect additional cable loom (see below).

RM/RL F 100 only
Blue and black wires =
telemetry connection for remote operation
White and brown wires =
photocell following contact connection

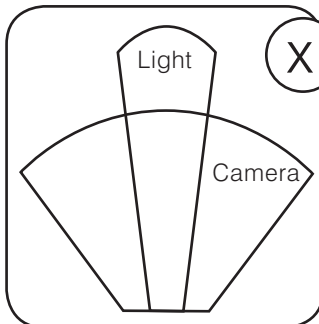
Set Up



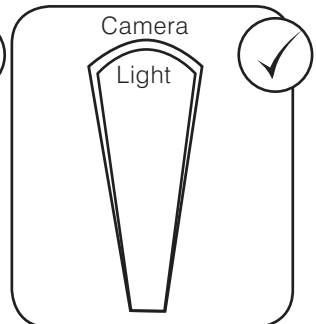
Match illumination to camera field of view



Reduces performance



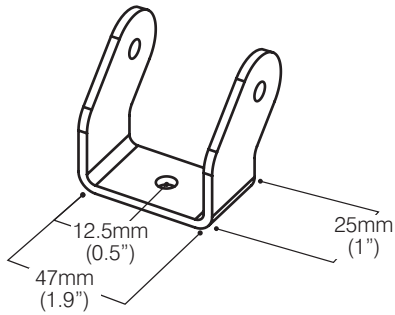
May cause hot spots



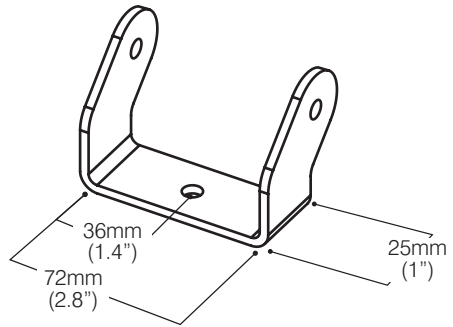
Best performance

Technical Drawings (Not to scale)

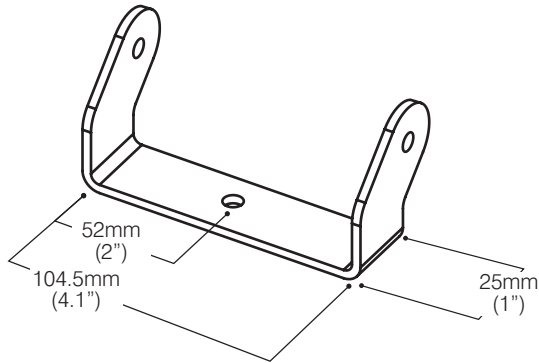
Standard Bracketry



RM/RL F 25



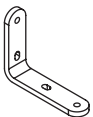
RM/RL F 50



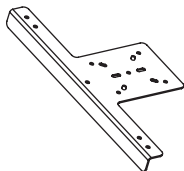
RM/RL F 100

Optional Bracketry

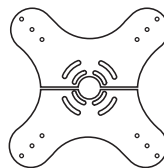
Wall Mount



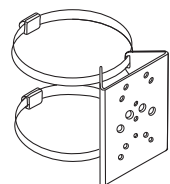
Ptz Mount



Dome Mount



Pole Mount



FUSION Specifications

INFRA-RED Series

	RM FUSION 100	RM FUSION 50	RM FUSION 25
Max. Distance Model dependent	150m	40m	20m
Consumption ~	35W max	25W max	12W max
Input	12-24V DC/ 24V AC	12-24V DC/ 24V AC	12-24V DC/ 24V AC
Current	2.6A @ 12V or 1.3A @ 24V	1.5A @ 12V or 0.75A @ 24V	1A @ 12V or 0.5A @ 24V
Weight	1.4kg	1.0kg	0.5kg
Environment	IP66	IP66	IP66
Dimensions L x W x D	180 x 135 x 65 mm (7 x 5.3 x 2.5")	135 x 100 x 63 mm (5.3 x 4 x 2.5")	75 x 100 x 54mm (3 x 4 x 2")

WHITE-LIGHT Series

	RL FUSION 100	RL FUSION 50	RL FUSION 25
Max. Distance Model dependent	100m	35m	17m
Consumption ~	35W max	25W max	12W max
Input	12-24V DC/ 24V AC	12-24V DC/ 24V AC	12-24V DC/ 24V AC
Current	2.6A @ 12V or 1.3A @ 24V	1.5A @ 12V or 0.75A @ 24V	1A @ 12V or 0.5A @ 24V
Weight	1.4kg	1.0kg	0.5kg
Environment	IP66	IP66	IP66
Dimensions L x W x D	180 x 135 x 65 mm (7 x 5.3 x 2.5")	135 x 100 x 63 mm (5.3 x 4 x 2.5")	75 x 100 x 54mm (3 x 4 x 2")

Integrated Command and Control™ Technology

RM/RL F 25/50

- Inbuilt photocell for automatic on/off operation
- Inbuilt power adjust
- Inbuilt photocell level adjust
- Photocell following contact

RM/RL F 100

- Inbuilt photocell for automatic on/off operation
- Inbuilt power adjust
- Inbuilt photocell level adjust
- Photocell following contact
- Telemetry input for remote operation

Trouble Shooting

Ensure all tests are undertaken by a qualified, trained engineer.
Ensure safe working practices are followed at all times.

Step 1: Basics

- Check polarity of Lamp connection
red= +ve, black=-ve
- Ensure power is 12-24V DC/ 24V AC
- Check photocell is working-cover photocell, light should turn on.
- Ensure power supply is suitably rated to product - check page 6 for specifications

If OK...

Step 2: Lamp Test

- Check current draw of lamp corresponds to specification on page 6
- Check current of lamp – see instructions for correct current setting

To check lamp current remove +ve (red) lead from power supply and connect multimeter (set to 10A) in line with the lamp. [One lead of multimeter in common (COM), other lead into 10A socket of multimeter; set multimeter to read Amps]. Refer to PSU Specifications for correct current settings, see page 6.

Step 3: Set-up Camera, lens and illumination

- Check alignment of lamp
- Check camera lens – fully open at night & set correctly
- Check model number to Raytec performance specification to ensure required distance is achievable

Step 4: Call Raytec for further assistance

Note down:

- Model and serial number of illuminator
- Camera make and model
- Lens make and model

If the Raytec lamp is still not delivering the required performance, please contact us for further assistance.



rayTEC[®]

UK / Europe
T: +44 (0) 1670 520055
F: +44 (0) 1670 819760
sales@raytecctv.com

Americas (Toll Free)
T: +1 888 505 8335
ussales@raytecctv.com

www.raytecctv.com