

# rayMAX 25 PoE

## illuminators installation guide

This installation guide provides instructions for installing the RAYMAX 25 PoE series illuminators.

### Installation Steps

1. Mount Illuminator
2. Connect Power

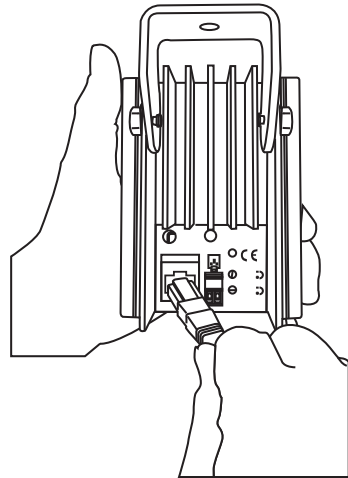
### Set Up Steps

1. Optional night set-up for optimum image performance
2. Adjust vertical angle
3. Tighten all fixings

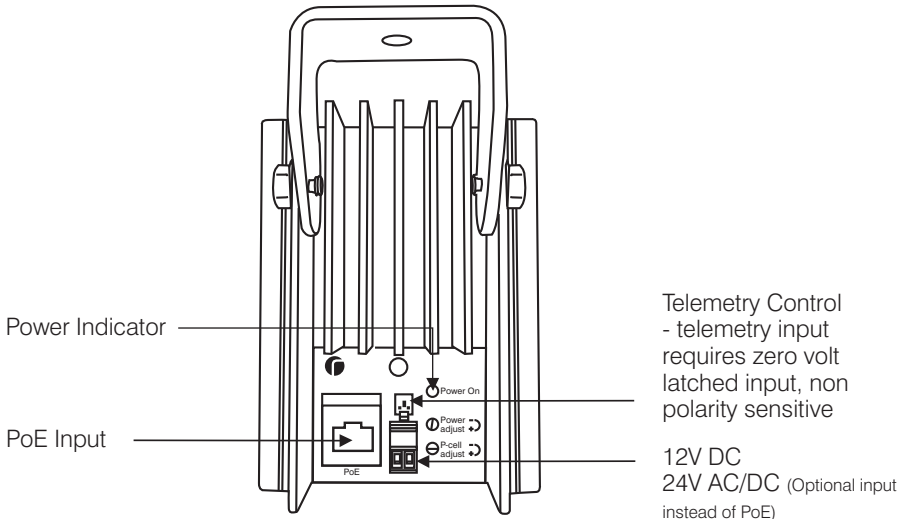
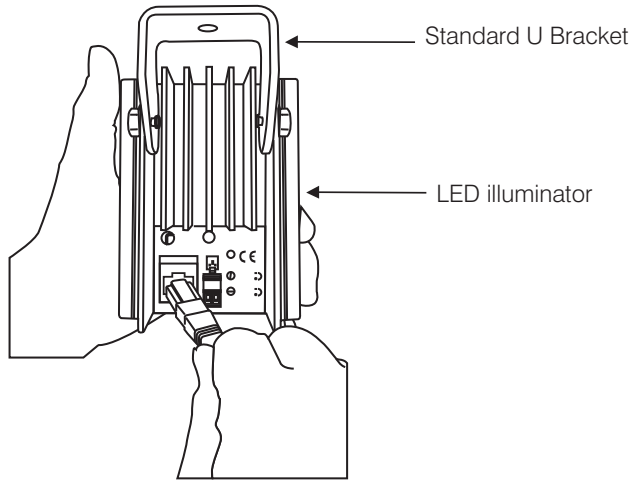
### Package Contents

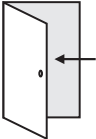
1. Illuminator with Integrated PSU

### Overview




RAYMAX 25 PoE illuminator  
Integrated PSU  
(back of illuminator)

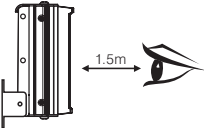




Install internally only



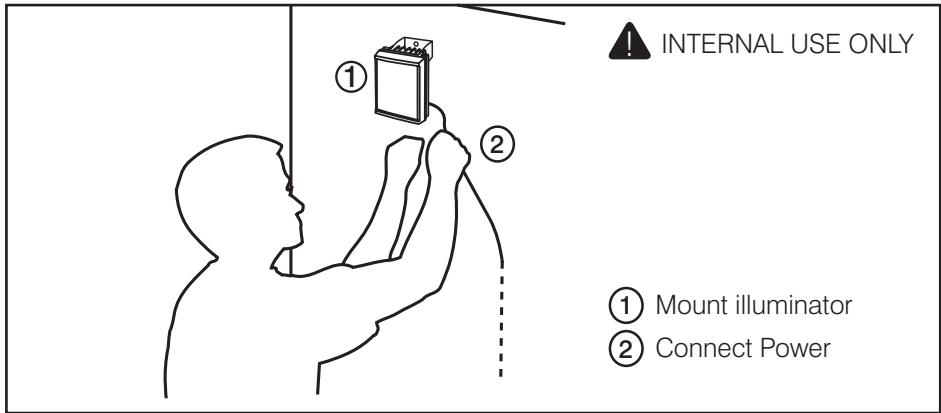
Install in a well ventilated area



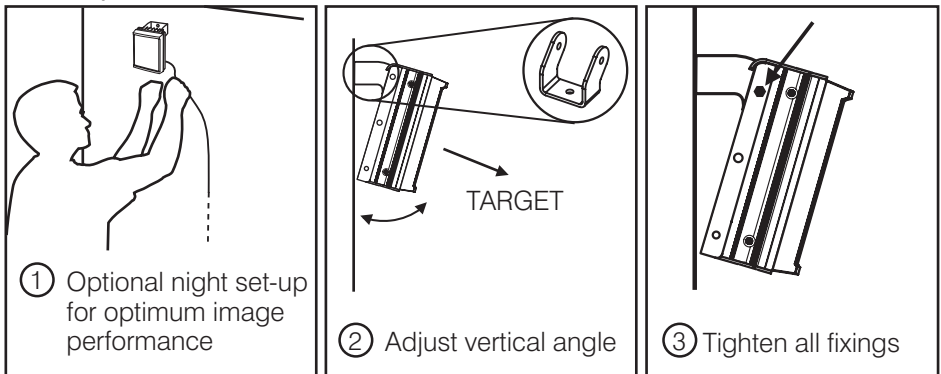
Do not continually stare at lamp

Specifications subject to change without notice. Installation to be carried out by suitable trained and qualified personnel.

# Installation

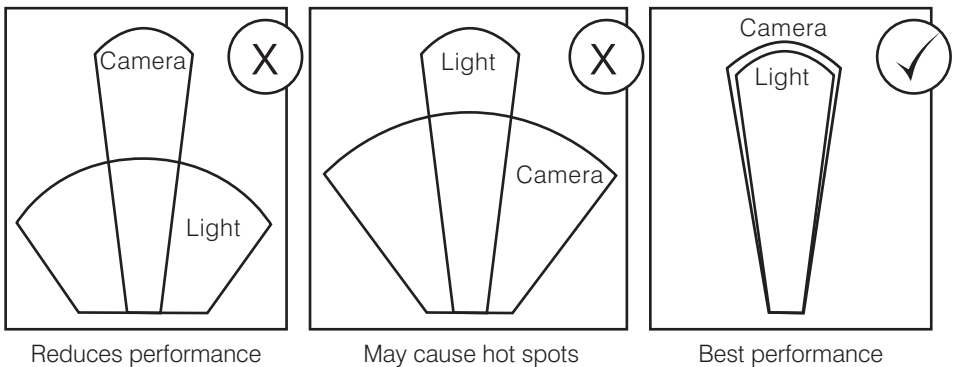


# Set Up

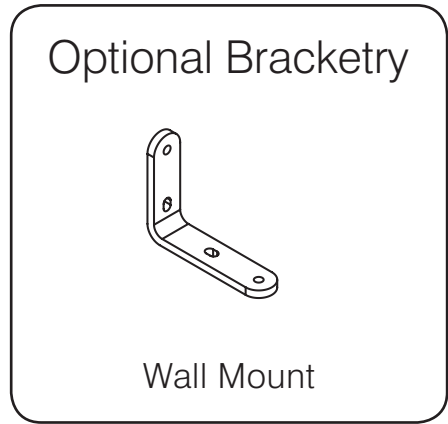
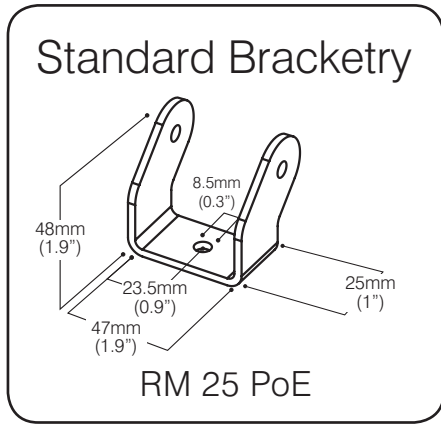


Use wall bracket if you require horizontal adjustment.

# Match illumination to camera field of view



# Technical Drawings (Not to scale)



## Specifications

### INFRA-RED Series

| Input                 | Output | PoE   | Photocell                           | Adjustable Power | Weight         | Dimensions L x W x D                        |
|-----------------------|--------|---|-------------------------------------|------------------|----------------|---|
| PoE or 12V DC 24AC/DC | 12W    | IEEE802.3af Compliant Interface Power classification (class 0) CAT5 Cable | Integrated (adjustable sensitivity) | 10% - 100%       | 0.8kg (1.8lbs) | 75 x 100 x 54mm<br>3" x 4" x 2"<br>(approx) |

## Command and Control Integrated Power Supply Features

- Adjustable photocell
- Adjustable power
- Telemetry input

# Trouble Shooting

## Step 1: Basics

Check blue LED 'power on' light is illuminated on the back of the PoE unit.

If **Yes**,

- Ensure power adjust is turned to the maximum level.
- Ensure Photocell is covered and if necessary adjust the photocell sensitivity.

If **No**,

- Confirm that the PoE injector unit is fully functioning.  
NB: Refer to manufacturer's guide
- Check that the cable is fully intact, and not broken or split.

## Step 2: Set-up Camera, lens and illumination

Check alignment of lamp

Check camera lens – fully open at night & set correctly.

Check model number to Raytec performance specification to ensure required distance is achievable.

## Step 3: Call Raytec for further assistance

Note down:

- Model and serial number of illuminator
- Camera make and model
- Lens make and model

If the Raytec lamp is still not delivering the required performance, please contact us for further assistance: tel +44 (0)1670 520055



**rayTEC<sup>®</sup>**

UK / Europe  
T: +44 (0) 1670 520055  
F: +44 (0) 1670 819760  
[sales@raytecctv.com](mailto:sales@raytecctv.com)

Americas (Toll Free)  
T: +1 888 505 8335  
[ussales@raytecctv.com](mailto:ussales@raytecctv.com)

[www.raytecctv.com](http://www.raytecctv.com)