

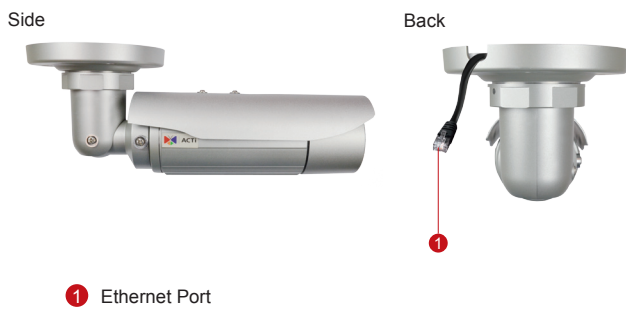
# E46

3MP Bullet with D/N, IR,  
Superior WDR, Vari-focal Lens



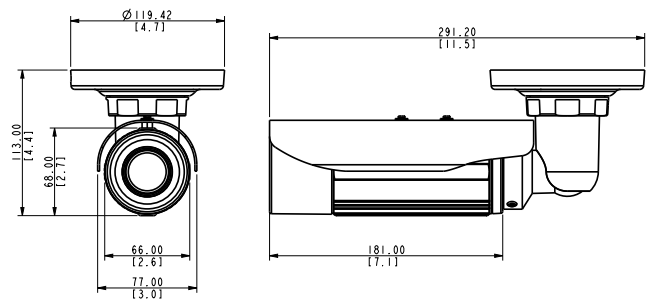
- 3 Megapixel with 1080p
- Day & Night with IR LED
- Vari-focal Lens with f2.8-12mm / F1.4
- Superior WDR (107 dB)
- 30 fps at 1920 x 1080
- Weatherproof (IP66) and Vandal Proof Metal Casing (IK10)

## PHOTO INDICATION



1 Ethernet Port

## DIMENSION DIAGRAM



Unit: mm [inch]

## ACCESSORY OPTIONS

### Popular Mounting Solutions

Gang Box PMAX-0806



\* For more mounting solutions, please refer to Project Planner on [www.acti.com](http://www.acti.com)

**PRODUCT SPECIFICATION****E46****• Device**

Device Type	Bullet Camera
Image Sensor	Progressive Scan CMOS
Sensor Size	1/3"
Day / Night	Yes
Superior Low Light Sensitivity	No
Minimum Illumination	Color: 0.1 lux at F1.4 (30 IRE, 2400°K); B/W: 0 lux (IR LED on)
Color to B/W switch	ISP based switch, configurable
Mechanical IR Cut Filter	Yes
IR Sensitivity Range	700~1100nm
IR LED	IR LED x 15 (850 nm)
IR Working Distance	15 m (0 lux, 30 IRE, Max exposure gain)
Electronic Shutter	1/5 ~ 1/2,000 sec (manual mode); 1/5 ~ 1/10,000 sec (auto mode)

**• Lens**

Focal Length / Aperture	Vari-focal, f2.8 - 12 mm / F1.4
Iris	Fixed iris
Focus	Manual focus
Mount Type	Board mount
Horizontal Viewing Angle	70.5°~28.8°

**• Video**

Compression	H.264 HP, MJPEG
Max.Frame Rate vs. Resolution	15 fps at 2048 x 1536; 30 fps at 1920 x 1080; 30 fps at 1280 x 720; 30 fps at 640 x 480; 15 fps at 320 x 240
Multi-Streaming	Simultaneous dual streams based on two configurations
Bit Rate	28 Kbps - 6 Mbps (per stream)
Bit Rate Mode	Constant, Variable
Image Enhancement	Superior WDR (107 dB); White balance: automatic, hold, and manual; Brightness; Contrast; Sharpness(auto); Auto gain control; Digital noise reduction; Flickerless
Privacy Mask	4 configurable regions
Text Overlay	User defined text on video
Image Orientation	Image flip and mirror

**• Network**

Protocol & Service	TCP, UDP, HTTP, HTTPs, DHCP, PPPoE, RTP, RTSP, IPv6, DNS, DDNS, NTP, ICMP, ARP, IGMP, SMTP, FTP, UPnP, SNMP, Bonjour
Ethernet Port	1, Ethernet (10/100 Base-T), RJ-45 connector
Security	IP address filtering; HTTPS encryption; Password protected user levels; Anonymous login; IEEE 802.1X network access control

**• Alarm**

Alarm Trigger	Video motion detection (3 regions)
Alarm Response	Notify control center; Change camera settings; Command other devices; E-mail notification with snapshots; Upload video, Snapshot to FTP server

**• General**

Power Source / Consumption	PoE Class 2 (IEEE802.3af) / 4.8 W (IR on)
Weight	651g (1.44 lb)
Dimensions (Ø x L)	66 mm x 291 mm (2.6" x 11.5")
Bundled Accessories	Weatherproof Connector Kit
Environmental Casing	Weatherproof (IP66 rated); Vandal proof metal casing (IK10)
Mount Type	Wall, Ceiling, Gang box
Starting Temperature	-20 °C ~ 50 °C (-4 °F ~ 122 °F)
Operating Temperature	-40 °C ~ 50 °C (-40 °F ~ 122 °F)
Operating Humidity	10% ~ 85% RH
Approvals	CE (EN 55022 Class B, EN 55024), FCC (Part15 Subpart B Class B), IP66, NEMA 4X, IK10 (metal casing)

**• Integration**

Unified Solution	Fully compatible with ACTi software
ISV Integration	Software Development Kit (SDK) available; ONVIF compliant
Firmware Access Browser	Microsoft Internet Explorer 8.0 or newer (full functionality); Other browsers with QuickTime installed (partial functionality)