

Panasonic

Installation Guide

Network Video Decoder

Model No. **WJ-GXD400**



HDMI[™]
HIGH-DEFINITION MULTIMEDIA INTERFACE

Before attempting to connect or operate this product,
please read these instructions carefully and save this manual for future use.

No model number suffix is shown in this manual.

We declare under our sole responsibility that the product to which this declaration relates is in conformity with the standards or other normative documents following the provisions of Directives 2006/95/EC and 2004/108/EC.

Wir erklären in alleiniger Verantwortung, daß das Produkt, auf das sich diese Erklärung bezieht, mit der folgenden Normen oder normativen Dokumenten übereinstimmt. Gemäß den Bestimmungen der Richtlinie 2006/95/EC und 2004/108/EC.

Nous déclarons sous notre seule responsabilité que le produit auquel se réfère la présente déclaration est conforme aux normes ou autres documents normatifs conformément aux dispositions des directives 2006/95/CE et 2004/108/CE.

Nosotros declaramos bajo nuestra única responsabilidad que el producto a que hace referencia esta declaración está conforme con las normas u otros documentos normativos siguiendo las estipulaciones de las directivas 2006/95/CE y 2004/108/CE.

Noi dichiariamo sotto nostra esclusiva responsabilità che il prodotto a cui si riferisce la presente dichiarazione risulta conforme al seguente standard o altri documenti normativi conformi alle disposizioni delle direttive 2006/95/CE e 2004/108/CE.

Wij verklaren als enige aansprakelijke, dat het product waarop deze verklaring betrekking heeft, voldoet aan de volgende normen of andere normatieve documenten, overeenkomstig de bepalingen van Richtlijnen 2006/95/EC en 2004/108/EC.

Vi erklærer os eneansvarlige for, at dette produkt, som denne deklaration omhandler, er i overensstemmelse med standarder eller andre normative dokumenter i følge bestemmelserne i direktivene 2006/95/EC og 2004/108/EC.

Vi deklarerar härmed vårt fulla ansvar för att den produkt till vilken denna deklaration hänvisar är i överensstämmelse med standarddokument, eller andra normativa dokument som framställs i direktiv nr. 2006/95/EC och 2004/108/EC.

Ilmoitamme yksinomaisella vastuullamme, että tuote, jota tämä ilmoitus koskee, noudattaa seuraavia standardeja tai muita ohjeellisia asiakirjoja, jotka noudattavat direktiivien 2006/95/EC ja 2004/108/EC säädöksiä.

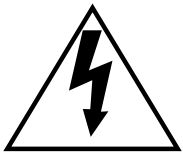
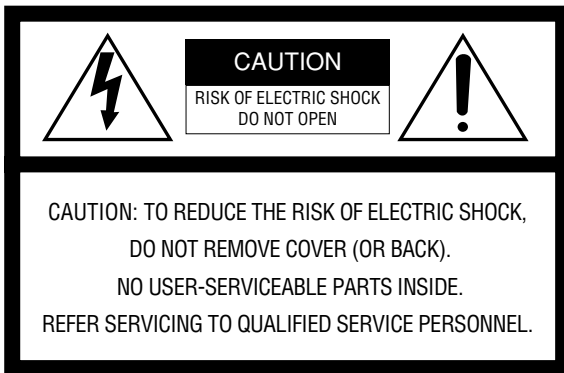
Vi erklærer oss alene ansvarlige for at produktet som denne erklæringen gjelder for, er i overensstemmelse med følgende normer eller andre normgivende dokumenter som følger bestemmelsene i direktivene 2006/95/EC og 2004/108/EC.

WARNING:

- This apparatus must be earthed.
- To prevent fire or electric shock hazard, do not expose this apparatus to rain or moisture.
- The apparatus should not be exposed to dripping or splashing and that no objects filled with liquids, such as vases, should be placed on the apparatus.
- All work related to the installation of this product should be made by qualified service personnel or system installers.
- The connections should comply with local electrical code.

CAUTION:

Before attempting to connect or operate this product, please read the label on the bottom.



The lightning flash with arrowhead symbol, within an equilateral triangle, is intended to alert the user to the presence of uninsulated "dangerous voltage" within the product's enclosure that may be of sufficient magnitude to constitute a risk of electric shock to persons.



The exclamation point within an equilateral triangle is intended to alert the user to the presence of important operating and maintenance (servicing) instructions in the literature accompanying the appliance.

The serial number of this product may be found on the surface of the unit.
You should note the serial number of this unit in the space provided and retain this book as a permanent record of your purchase to aid identification in the event of theft.

Model No. _____

Serial No. _____

This Class A digital apparatus complies with Canadian ICES-003.

NOTE: This equipment has been tested and found to comply with the limits for a Class A digital device, pursuant to Part 15 of the FCC Rules. These limits are designed to provide reasonable protection against harmful interference when the equipment is operated in a commercial environment. This equipment generates, uses, and can radiate radio frequency energy and, if not installed and used in accordance with the instruction manual, may cause harmful interference to radio communications.

Operation of this equipment in a residential area is likely to cause harmful interference in which case the user will be required to correct the interference at his own expense.

FCC Caution: To assure continued compliance, (example - use only shielded interface cables when connecting to computer or peripheral devices). Any changes or modifications not expressly approved by the party responsible for compliance could void the user's authority to operate this equipment.

Important Safety Instructions

- 1) Read these instructions.
- 2) Keep these instructions.
- 3) Heed all warnings.
- 4) Follow all instructions.
- 5) Do not use this apparatus near water.
- 6) Clean only with dry cloth.
- 7) Do not block any ventilation openings. Install in accordance with the manufacturer's instructions.
- 8) Do not install near any heat sources such as radiators, heat registers, stoves, or other apparatus (including amplifiers) that produce heat.
- 9) Do not defeat the safety purpose of the polarized or grounding-type plug. A polarized plug has two blades with one wider than the other. A grounding type plug has two blades and a third grounding prong. The wide blade or the third prong are provided for your safety. If the provided plug does not fit into your outlet, consult an electrician for replacement of the obsolete outlet.
- 10) Protect the power cord from being walked on or pinched particularly at plugs, convenience receptacles, and the point where they exit from the apparatus.
- 11) Only use attachments/accessories specified by the manufacturer.
- 12) Use only with the cart, stand, tripod, bracket, or table specified by the manufacturer, or sold with the apparatus. When a cart is used, use caution when moving the cart/apparatus combination to avoid injury from tip-over.



- 13) Unplug this apparatus during lightning storms or when unused for long periods of time.
- 14) Refer all servicing to qualified service personnel. Servicing is required when the apparatus has been damaged in any way, such as power-supply cord or plug is damaged, liquid has been spilled or objects have fallen into the apparatus, the apparatus has been exposed to rain or moisture, does not operate normally, or has been dropped.

Limitation of Liability

THIS PUBLICATION IS PROVIDED "AS IS" WITHOUT WARRANTY OF ANY KIND, EITHER EXPRESS OR IMPLIED, INCLUDING BUT NOT LIMITED TO, THE IMPLIED WARRANTIES OF MERCHANTABILITY, FITNESS FOR ANY PARTICULAR PURPOSE, OR NON-INFRINGEMENT OF THE THIRD PARTY'S RIGHT.

THIS PUBLICATION COULD INCLUDE TECHNICAL INACCURACIES OR TYPOGRAPHICAL ERRORS. CHANGES ARE ADDED TO THE INFORMATION HEREIN, AT ANY TIME, FOR THE IMPROVEMENTS OF THIS PUBLICATION AND/OR THE CORRESPONDING PRODUCT (S).

Disclaimer of Warranty

IN NO EVENT SHALL MATSUSHITA ELECTRIC INDUSTRIAL CO.,LTD. BE LIABLE TO ANY PARTY OR ANY PERSON, EXCEPT FOR REPLACEMENT OR REASONABLE MAINTENANCE OF THE PRODUCT, FOR THE CASES, INCLUDING BUT NOT LIMITED TO BELOW:

- (1) ANY DAMAGE AND LOSS, INCLUDING WITHOUT LIMITATION, DIRECT OR INDIRECT, SPECIAL, CONSEQUENTIAL OR EXEMPLARY, ARISING OUT OF OR RELATING TO THE PRODUCT;
- (2) PERSONAL INJURY OR ANY DAMAGE CAUSED BY INAPPROPRIATE USE OR NEGLIGENT OPERATION OF THE USER;
- (3) UNAUTHORIZED DISASSEMBLE, REPAIR OR MODIFICATION OF THE PRODUCT BY THE USER;

- (4) ANY PROBLEM, CONSEQUENTIAL INCONVENIENCE, OR LOSS OR DAMAGE, ARISING OUT OF THE SYSTEM COMBINED BY THE DEVICES OF THIRD PARTY;
- (5) ANY CLAIM OR ACTION FOR DAMAGES, BROUGHT BY ANY PERSON OR ORGANIZATION BEING A PHOTOGENIC SUBJECT, DUE TO VIOLATION OF PRIVACY WITH THE RESULT OF THAT SURVEILLANCE-CAMERA'S PICTURE, INCLUDING SAVED DATA, FOR SOME REASON, BECOMES PUBLIC OR IS USED FOR THE PURPOSE OTHER THAN SURVEILLANCE;
- (6) LOSS OF REGISTERED DATA CAUSED BY ANY FAILURE.

Preface

The network video decoder WJ-GXD400 is designed to convert digital image data (JPEG/MPEG-4) to analog video signals. By connecting to a network (LAN), images and audio from cameras and encoders connected to the network can be displayed on an HDMI monitor or on an analog monitor (NTSC/PAL).

Features

- Up to 6 cameras can be displayed on a single monitor by using the HDMI connector or the BNC output connector (NTSC/PAL).
- One (1) x 4VGA (1 280 x 960) image with 2 x VGA (640 x 480) images or 6 x VGA (640 x 480) images can be displayed in a split screen.
- Images, audio and the other data packets can be received via a network.

About The Operating Instructions

There are 2 sets of operating instructions for the WJ-GXD400 as follows.

- Installation Guide (this book)
- Setup Instructions (PDF)

The "Installation Guide" contains descriptions of how to install and connect this unit.

Refer to the "Setup Instructions (PDF)" on the provided CD-ROM for descriptions of how to perform the unit settings. Adobe® Reader® is required to read these operating instructions (PDF).

Software License (Licence)

This product includes a software component that is licensed by GNU General Public License (GPL) or GNU Lesser General Public License (LGPL). For more details, refer to the Readme.txt file in the CD-ROM.

System Requirements for a PC

| | |
|--------------------|--|
| CPU | Pentium® 4 3.0 GHz or faster |
| Memory: | 1 GB or more (512 MB or more is required when using Microsoft® Windows® XP) |
| Network Interface: | 100/1000 Mbps Ethernet port x1 |
| Monitor: | Image capture size: 1 024 x 768 pixels or more Color: 24-bit True color or better |
| OS: | Microsoft® Windows Vista® 32-bit Microsoft® Windows® XP Home Edition SP2 Microsoft® Windows® XP Professional SP2 |
| OS Language: | English |
| Web Browser | Microsoft® Internet Explorer® 6.0 SP2 Windows® Internet Explorer® 7.0 |
| Other: | CD-ROM Drive: It is necessary to read the operating instructions on the provided CD-ROM. Adobe® Reader®: It is necessary to read the operating instructions on the provided CD-ROM. |

Notes:

- When using a PC that does not meet the above requirements, displaying of images may become slow or the web browser may become inoperable.

Trademarks and Registered Trademarks

- Adobe and Reader are either registered trademarks or trademarks of Adobe Systems Incorporated in the United States and/or other countries.
- Microsoft, Windows, Windows Vista, Internet Explorer, ActiveX and DirectX are either registered trademarks or trademarks of Microsoft Corporation in the United States and other countries.
- Intel and Pentium are trademarks or registered trademarks of Intel Corporation or its subsidiaries in the United States and other countries.
- HDMI, HDMI logo and High-Definition Multimedia Interface are trademarks or registered trademarks of HDMI Licensing LLC.
- Other names of companies and products contained in these operating instructions may be trademarks or registered trademarks of their respective owners.

Copyright

Distributing, copying, disassembling, reverse compiling, reverse engineering, and also exporting in violation of export laws of the software provided with this product, is expressly prohibited.

This product incorporates copy protection technology that is protected by U.S. and foreign patents, including patent numbers 5,315,448 and 6,836,549, and other intellectual property rights. The use of Macrovision's copy protection technology in the product must be authorized by Macrovision. Reverse engineering or disassembly is prohibited.

Network Security

As you will use this product connected to a network, your attention is called to the following security risks.

- Leakage or theft of information through this product
- Use of this product for illegal operations by persons with malicious intent
- Interference with or stoppage of this product by persons with malicious intent

It is your responsibility to take precautions such as those described below to protect yourself against the above network security risks.

- Use this product in a network secured by a firewall, etc.
- If this product is connected to a network that includes PCs, make sure that the system is not infected by computer viruses or other malicious entities (using a regularly updated anti-virus program, anti-spyware program, etc.).
- Protect your network against unauthorized access by restricting users to those who log in with an authorized user name and password.
- Apply measures such as user authentication to protect your network against leakage or theft of information, including authentication information (user names and passwords) and DDNS server information.

CONTENTS

| | |
|--|----|
| Important Safety Instructions | 4 |
| Limitation of Liability | 5 |
| Disclaimer of Warranty | 5 |
| Preface | 6 |
| Features | 6 |
| About These Operating Instructions | 7 |
| Software License (Licence) | 7 |
| System Requirements for a PC | 7 |
| Trademarks and Registered Trademarks | 8 |
| Copyright | 8 |
| Network Security | 8 |
| Precautions | 10 |
| Major operating controls and their functions | 12 |
| Front view | 12 |
| Rear view | 13 |
| Setup window and live image display | 14 |
| Outline of the functions | 17 |
| Operation flow | 18 |
| Setup procedure | 18 |
| Install the decoder in a rack | 19 |
| Connections | 20 |
| When connecting to a network using a hub | 20 |
| Turn on/off the power of the decoder | 21 |
| Turn on the power of the decoder | 21 |
| Turn off the power of the decoder | 21 |
| Troubleshooting | 22 |
| Specifications | 24 |
| Standard Accessories | 25 |

Precautions

- **Do not block the ventilation opening or slots on the cover.**

To prevent the apparatus from overheating, place it at least 5 cm {2 inches} away from the wall.

- **Do not drop metallic parts through slots.**

This could permanently damage the apparatus. Turn the power off immediately and contact qualified service personnel for service.

- **Do not attempt to disassemble the apparatus.**

To prevent electric shock, do not remove screws or covers.

There are no user-serviceable parts inside. Contact qualified service personnel for maintenance.

- **Do not expose the apparatus to water or moisture. Do not try to operate it in wet areas.**

Take immediate action if the apparatus gets wet. Turn the power off and refer servicing to qualified service personnel. Moisture can damage the apparatus and also cause electric shocks.

- **Built-in backup battery**

Before the first use, charge the built-in backup battery (lithium battery) by turning on the power for 48 hours or more. If it is not charged enough, in a case where the power goes down, the internal clock may keep bad time or the operative condition may be different to that before the electric power failure.

The built-in battery life is approximately 5 years as an indication of replacement. (This is just an indication of replacement. We are not providing any guarantee of the built-in battery lifetime. Replacement cost of the built-in battery is not covered by the warranty even if it needs to be done within the warranty period.) Ask the shop where you purchased the unit when replacement of the battery is required.

Use this product for indoor use only.

Do not expose this product to direct sunlight for hours and do not install the product near a heater or an air conditioner. Otherwise, it may cause deformation, discoloration and malfunction. Keep this product away from water.

To continue using with stable performance

- Parts of this product may deteriorate and it may shorten the lifetime of this product when using in locations subject to high temperatures and high humidity. Do not expose the product to direct heat such as from a heater.
- Use this product at temperature within 5 °C to 35 °C {41 °F to 95 °F} and humidity below 90%. (When using this product without turning the power off)

The input power source for this apparatus is 100 V AC to 240 V AC, 50 Hz/60 Hz.

Use only the supplied power cord.

Use the power cord that is suited to your locality.

Handle the appliance with care.

Do not strike or shake, as this may damage the product. Failure to observe this may cause trouble.

About the monitor

When displaying the same image on the monitor for a long time, the monitor may be damaged.

When an error is detected, the unit will restart automatically.

This unit will restart when detecting an error caused by any reason. The unit will be inoperable for around 1 minute after the restart just as when the power is turned on.

About the self-diagnosis function

When the unit malfunctions due to exogenous noise, etc. for 30 seconds or more, the unit will automatically reset and will return to normal state. When the unit is reset, initialization will be carried out as when the power of the unit is turned on. When the unit repeatedly resets, exogenous noise level around the unit may be high and that may cause malfunction. Contact your dealer for instructions.

Cleaning

Turn the power off when cleaning the unit. Otherwise it may cause injuries.

Do not use strong or abrasive detergents when cleaning the apparatus body. Use a dry cloth to clean the apparatus when it is dirty. When the dirt is hard to remove, use a mild detergent and wipe gently.

Distributing, copying, disassembling, reverse compiling, reverse engineering, and also exporting in violation of export laws of the software provided with this product, is expressively prohibited.

Refresh interval

The refresh interval may be longer depending on a network environment, PC spec, photographic subject, access traffic, etc.

Location to install this unit

To protect your network against unauthorized access, install this unit within the security zone.

Avoid installing in the following locations.

- Locations exposed to direct sunlight
- Locations subject to strong magnetic field or radio waves
- Locations subject to condensation as the result of severe changes in temperature
- Locations subject to steam and oil smoke such as a kitchen

Rack mounting

- When mounting this unit, use EIA equivalents (450 mm {17-3/4"} or more depth).
- When operating the units, keep the temperature inside the rack surely below 45 °C {113 °F}.
Refer to page 19 for rack mounting.

Code label

Unique IP address of your unit is marked on the code label. Attach the code label on the CD-ROM case, etc. to avoid losing.

Radio interference

When the unit is used near TV/radio antenna, strong electric field or magnetic field (near a motor or a transformer), images may be distorted and noise sound may be produced.

MPEG-4 Visual patent portfolio license

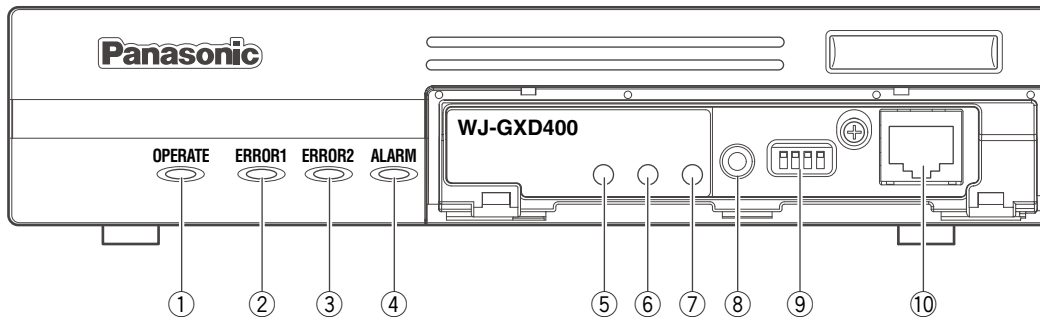
This product is licensed under the MPEG-4 Visual patent portfolio license for the personal and non-commercial use of a consumer for (i) encoding video in compliance with the MPEG-4 Visual Standard ("MPEG-4 Video") and/or (ii) decoding MPEG-4 Video that was encoded by a consumer engaged in a personal and non-commercial activity and/or was obtained from a video provider licensed by MPEG LA to provide MPEG-4 Video. No license is granted or shall be implied for any other use. Additional information including that relating to promotional, internal and commercial uses and licensing may be obtained from MPEG LA, LLC. See <http://www.mpegla.com>.

GPL/LGPL

- This product contains software licensed under GPL (GNU General Public License), LGPL (GNU Lesser General Public License), etc.
- Customers can duplicate, distribute and modify the source code of the software under license of GPL and/or LGPL.
- Read the "Readme.txt" file on the provided CD-ROM for further information about the software.
- Please note that Panasonic shall not respond to any inquiries regarding the source code.

Major operating controls and their functions

Front view



① Operation indicator (OPERATE)

Lights when the power is on.

Important:

- This indicator will blink for around a minutes until the unit becomes ready to operate.
- It may take a few minutes more to complete it when the ambient temperature is 0 °C {32 °C} or lower.

② Error 1 indicator (ERROR1)

Blinks to indicate any of the following.

- Network link down error

③ Error 2 indicator (ERROR2)

Blinks to indicate any of the following.

- Thermal error
- Cooling fan error
- Network camera error

④ [ALARM] indicator

Lights when an alarm is detected (received).

⑤ [LINK/ACT] indicator

Lights when the network connection is established.

Blinks when data packets are being transmitted/received.

⑥ [100 BASE-TX] indicator

Lights when the decoder is connected to a network at 100 BASE-TX.

⑦ [1000 BASE-T] indicator

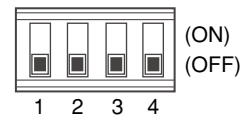
Lights when the decoder is connected to a network at 1000 BASE-T.

⑧ Reset switch

Press this button to reboot the decoder.

⑨ Mode switches

Not be used normally. Make sure that all the switches are in the "OFF" position before starting operation.



⑩ Maintenance port

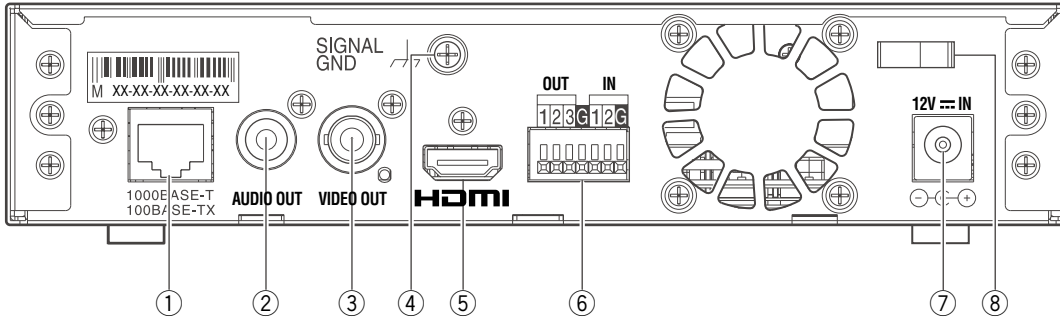
Use this port to connect directly to a PC and perform maintenance operations.

Do not use for normal operation.

Note:

- When connecting with a PC directly, use the straight cable.

Rear view



① Network port

Connect a LAN cable. (100BASE-TX/1 000BASE-T)
 NTSC model: category 5e, straight
 PAL model: category 7, straight
 (Cable is not provided.)

② Audio output connector (AUDIO OUT)

Connect an audio device such as an amplifier, speaker, etc.

③ Video output connector (VIDEO OUT)

Connect a video device such as a monitor.

④ SIGNAL GND terminal

Connect this terminal with the SIGNAL GND terminals of the devices in the system for signal ground. When operating the decoder and the devices in the system without signal ground, oscillation or noise may be produced.

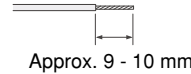
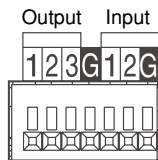
⑤ HDMI connector

Connect an HDMI monitor.

⑥ Alarm/Control terminals (ALARM/CONTROL)

Connect an external device or an alarm device such as a buzzer or a lamp.

When connecting an external device, first remove 9 mm – 10 mm of the outer jacket of the cable and twist the cable core to prevent a short circuit.



Specification of cable (wire):

AWG #22 - #28 Single core, twisted

Important:

- Do not connect 2 or more wires directly to a terminal. When it is necessary to connect 2 wires or more, use a splitter.

<Ratings>

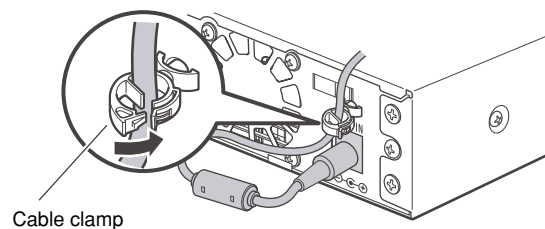
- Alarm reset input (IN 1):
Non-voltage make contact (DC 4 - 5 V internal pull-up)
- GND (G):
- Alarm output (OUT 2):
Open collector output
(Maximum applied voltage: 24 V DC, 100mA)
- Error output (OUT 1):
Open collector output
(Maximum applied voltage: 24 V DC, 100mA)
- NC: Do not use.(IN 2, OUT 3)

⑦ Power connector (DC12V IN)

Connect to the provided AC adapter.
 Do not connect other than the provided AC adapter.

⑧ Cable clamp

Fix the cable of the provided AC adapter.
 Cable clamp



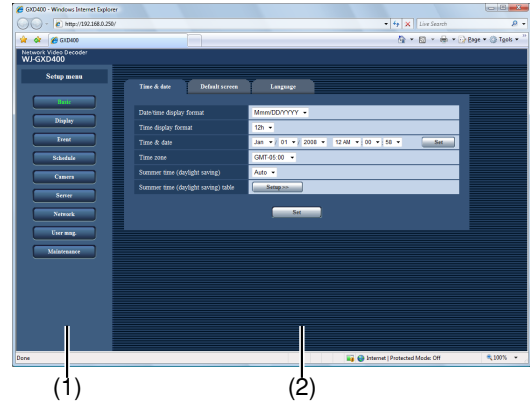
Setup window and live image display

● Setup window

Launch a web browser. Enter the IP address set to the decoder in the address box, and press the enter key. Refer to the setup instructions (PDF) for further information about the operation window.

(1) Setup menu buttons

(2) Setup page



● Live image display

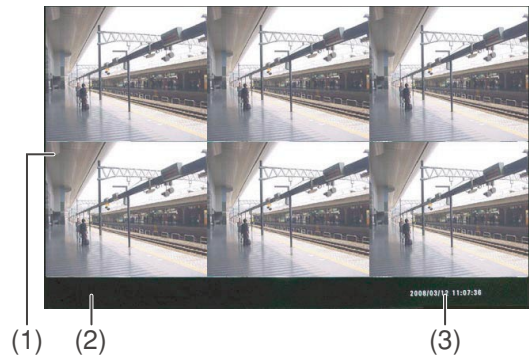
(1) Image display area

(2) Information display area

Information of the detected alarm or error will be displayed.

(3) Time & date display area

The current time (of the decoder's clock) will be displayed.



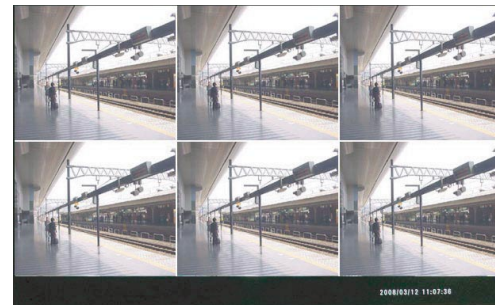
● Border

It is possible to apply a color on the frame border that divides a screen.

Select a color from the following.

Off/White/Gray/Black

(PDF) Setup instructions (PDF)



● Alarm display

- When an alarm occurrence is detected, the frame border will turn red to indicate which images are from the alarm camera. The "ALARM" indication will also be displayed.
- When an alarm occurred, time and date of the alarm occurrence, information about the alarm source will be displayed.



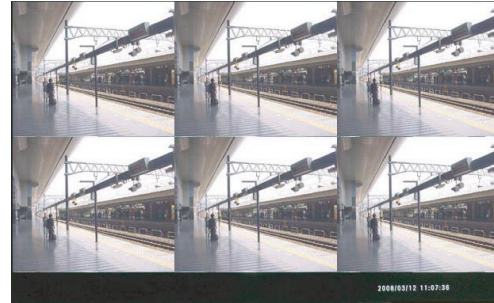
● Screen Pattern

It is possible to display images from up to 6 cameras on a screen. 1-screen, 3-screen and 6-screen are available to display images from cameras.

1-screen display



6-screen display



3-screen display (primary screen on the left (PSL))



3-screen display (primary screen on the right (PSR))



● Information display on each screen (live image display)

The following information can be displayed according to the settings.

Information display area



(1) Screen ID

The screen ID will be displayed.

(2) Time & date display area

Time and date (of the camera's clock) will be displayed. Time and date (of the camera's clock) will be displayed when stream data from the camera contains time and date information.

(3) Optional info.

Information about the sequence display will be displayed. When the sequence display is triggered by a schedule, a sequence number will be displayed.

(4) Camera title

The camera title will be displayed. When "Off" is selected for "camera title", it will not be displayed.

Note:

- Information display position and display or hide information display can be determined by configuring the settings on the setup menu.
 - When the "Image capture size" setting is other than "QVGA", "VGA" or "4VGA", a black screen will be displayed.
-

● Display mode

There are 2 display modes, "Full screen" mode (full-resolution display) and the "Trimmed screen" mode (trimming mode). Normally, select "Full screen". When the displayed images do not fit in the screen even by adjusting the display settings of the monitor in use, select "Trimmed screen". In the "Trimmed screen" mode, however, images to be displayed in each screen will also be trimmed.

Notes:

- When displaying smaller images on a larger screen area e.g. displaying VGA images on a 4VGA screen area, the images are enlarged to fit to the screen size.
 - It is not possible to display larger images on a smaller screen area i.e. displaying 4VGA images on a VGA screen area.
-

Outline of the functions

● Live image display

Live images can be displayed on a high-definition monitor (1 920 x 1 080) using the HDMI connector.

Live images from up to 6 cameras with the image capture size of VGA (640 x 480) can be displayed simultaneously.

Displaying of live images from a single camera with the image capture size of 4VGA (1 280 x 960) is also available.

It is possible to simultaneously display JPEG images and MPEG-4 images on the same monitor.

It is also possible to connect and display live images on an analog monitor (NTSC/PAL).

● Audio output

Audio (G.726) from a single camera among the cameras of which images are being displayed on a screen can be heard.

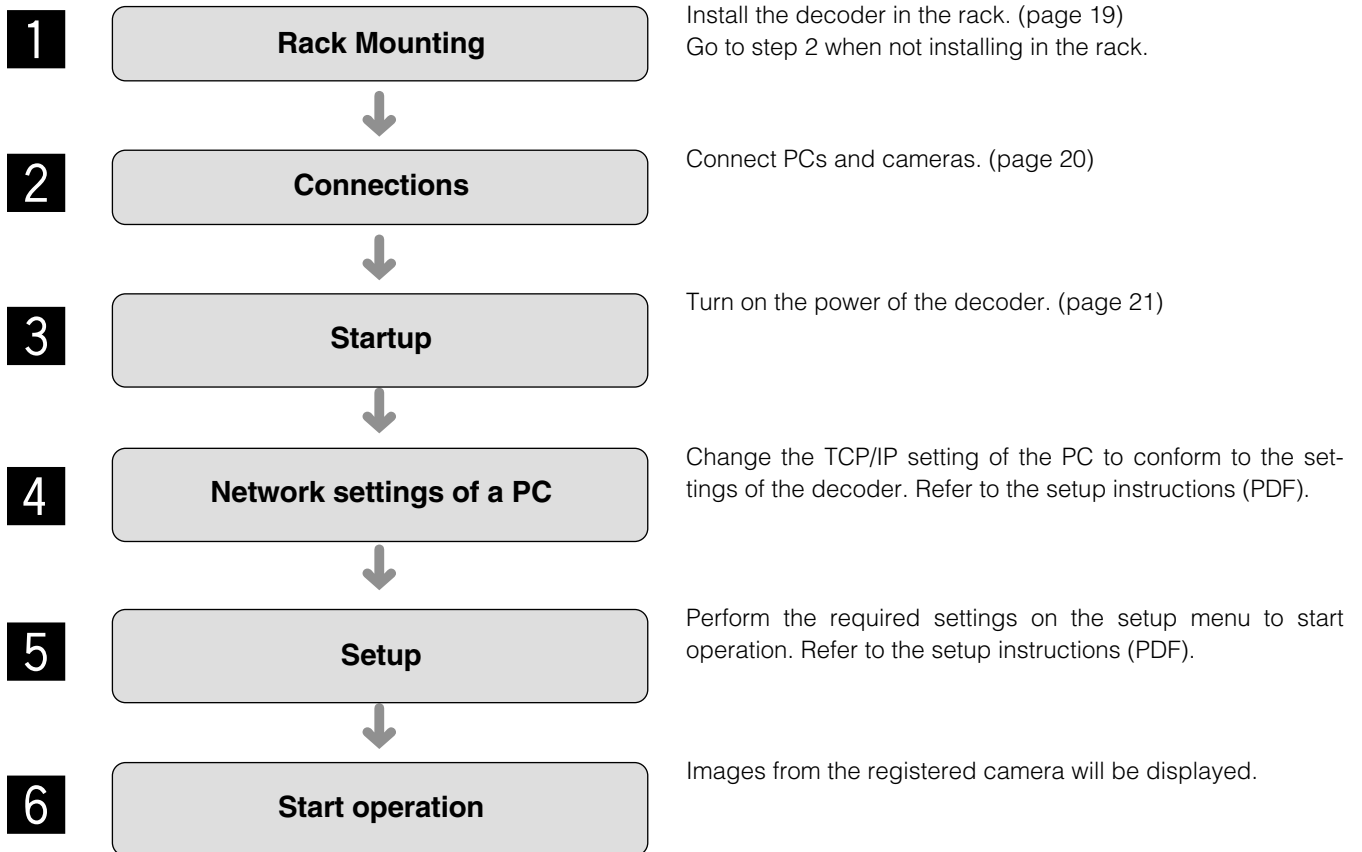
Audio output is available via the HDMI output connector or the audio output connector (RCA, pin jack).

Refer to the setup instructions (PDF) for how to output images (video) and audio.

Operation flow

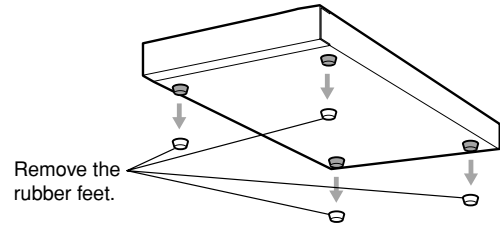
Setup procedure

The operation flow of the decoder is as follows.



Install the decoder in a rack

- 1 Remove the rubber feet (4 pcs.) on the bottom of the unit.



- 2 Install the rack mounting brackets (Option: Refer to the following.) on both sides of the unit. Using the mounting screws (4 pcs.) for the rack mounting brackets, fix them firmly.

1. When installing one unit:

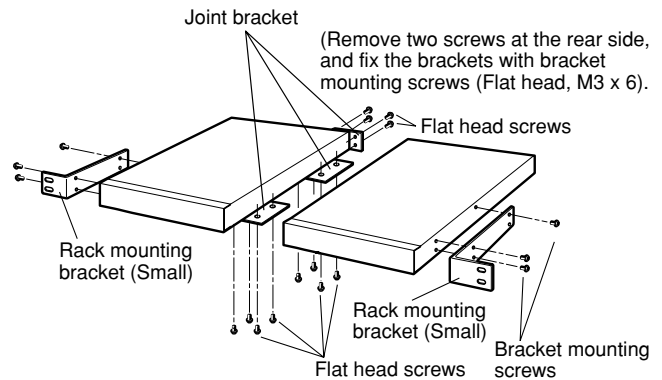
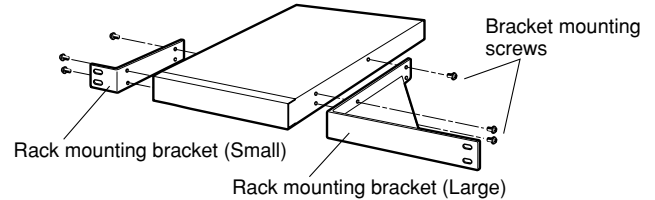
Model No.: WV-Q204/1S

- Rack mounting bracket (Small) x 1
- Rack mounting bracket (Large) x 1
- Bracket mounting screws (M3 x 8: 6 pcs.)

2. When installing two units:

Model No.: WV-Q204/2S

- Rack mounting bracket (Small) x 2
- Joint bracket x 3
- Bracket mounting screws (M3 x 8: 6 pcs.)
- Bracket mounting screws (Flat head, M3 x 6: 12 pcs.)

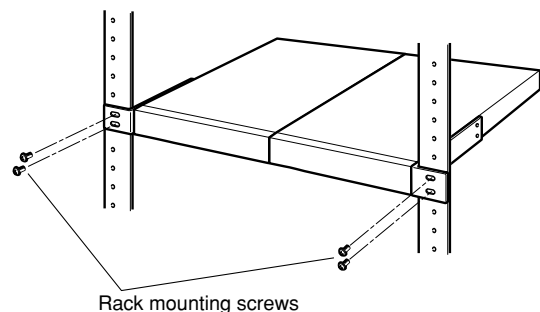


- 3 Install the unit in the rack.

- Using the rack mounting screws, fix them firmly.

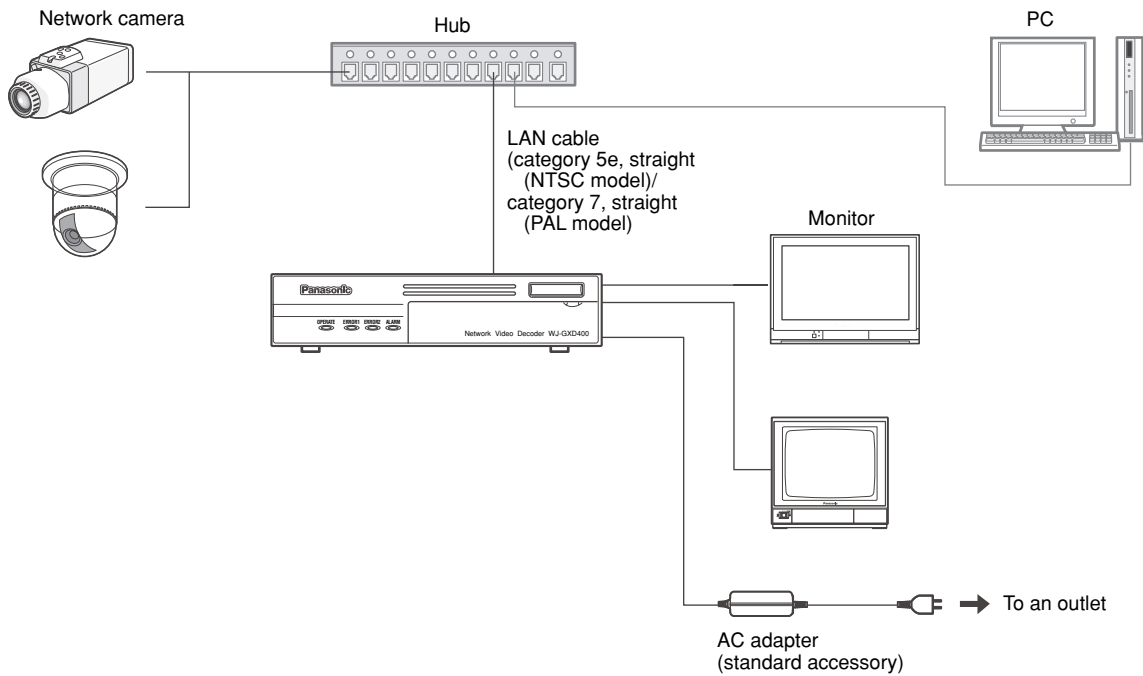
Important:

- When operating the units, keep the temperature inside the rack surely below 45 °C {113 °F}.
- Mount the unit into the rack with a space equivalent to approx. 1 unit (44 mm) or more to separate from other devices.
- To prevent the unit from overheating, do not block the ventilation openings or slots in the cover.
- Be sure to keep the temperature inside the rack below 30 °C {86 °F} when operating the units. Installing ventilation fan(s) in the rack is recommended especially when the rack is covered with front lids.



When connecting to a network using a hub

When connecting the decoder to a network using a hub, use a LAN cable).



Important:

- Use a switching hub or a router which is compliant with 100BASE-TX/1000BASE-T.
 - Power supply is required for each decoder.
-

Turn on/off the power of the decoder

Turn on the power of the decoder

Insert the power plug of the AC adapter to an outlet.

Connect the power plug of the AC adapter to a 120 V AC, 60 Hz for NTSC model, 220 - 240 V AC, 50 Hz for PAL model.

The OPERATE indicator will start blinking for around a minute just after turning on the power of the decoder. It will stop blinking and light steadily when the decoder becomes in operation status.

Default screen

When the power of the decoder is turned on or when the decoder is rebooted, images from the camera channel selected in advance will automatically be displayed. It is necessary to configure the "Default screen" setting in advance.

- A black screen will be displayed when "No output" is selected for "Video/Audio output settings for the default screen".
- Audio from the camera can be heard when "On" is selected for "Audio output". When other than "1-screen" is selected for "Screen pattern", audio from the camera to be displayed on a screen at the upper left corner will be heard.
- When using a camera that does not have the microphone input function, audio will not be heard even when "On" is selected for "Audio output".

Turn off the power of the decoder

To shut down the decoder, do the following.

Detach the power plug from the outlet.

The OPERATE indicator on the decoder will go off.

Important:

- Detach the plug from the outlet if not operating the decoder for a length of time.
 - When the decoder has not been used for a certain period, turn on the power of the decoder (approximately once a week) and operate the decoder to prevent interferences with functions.
-

Troubleshooting

Check the following before requesting repair. Contact a dealer if a problem cannot be solved even after checking and trying the solution or if a problem is not described below, or when having a problem with installations.

| Problem | Check item/Remedy | Page |
|---|--|--|
| Power is not turned on. | <ul style="list-style-type: none"> • Is the connector plug of the AC adapter connected to the power connector (DC12V IN) of the decoder firmly? • Is the power plug of the AC adapter connected to the outlet firmly? • Is the power cord connected to the AC adapter firmly? | - |
| The decoder does not start up even by turning on the power. | <ul style="list-style-type: none"> • Are the mode switches positioned correctly? Make sure that all the switches are in the "OFF" position. | - |
| The error 1 indicator (ERROR1) is blinking. (NW link error) | <ul style="list-style-type: none"> • Is the LAN cable (100BASE-TX/1 000BASE-T) firmly connected to the network port? Confirm the cable is firmly connected. | 12 |
| | <ul style="list-style-type: none"> • Is the [LINK/ACT] indicator lit? When it is not lit, connection to a LAN is not established or a network is not working correctly. Confirm that the connection is correctly made and the cable is connected firmly. | 12 |
| The error 2 indicator (ERROR2) is blinking. (FAN error) | <ul style="list-style-type: none"> • The fan is not functioning because of the malfunction. Contact your dealer. | 12 |
| The error 2 indicator (ERROR2) is blinking. (Thermal error) | <ul style="list-style-type: none"> • Temperature inside the decoder is beyond the operating temperature range. Use the decoder at appropriate ambient temperatures. • Aren't the fans on the rear or the ventilation slots of the decoder blocked? When dust is collected around the fans or the ventilation slots, clean it up. When the ERROR2 indicator is blinking even when turning on the power of the decoder after leaving the decoder powered off for a while, contact your dealer. | 10, 12 |
| The error 2 indicator (ERROR2) is blinking. (Network camera error detection) (Network camera error detection (audio)) | Check the status on the "Camera" page of the setup menu. | Refer to the setup instructions (PDF). |
| | Check the settings on the "Basic" page of the setup menu. | Refer to the setup instructions (PDF). |
| | Check the IP address, subnet mask, and default gateway of each of the decoder and the network cameras. | Refer to the setup instructions (PDF). |

| Problem | Check item/Remedy | Page |
|---|---|------|
| The power cord insulation is damaged. | <ul style="list-style-type: none"> • The power cord, plug and connectors are worn out. This may result in electric shock or a fire. Unplug the power plug from the AC outlet immediately, and refer to qualified service personnel. | - |
| The power cord, plug and connectors get hot during use. | | |
| The power cord gets hot when bent or stretched. | | |
| No live image is displayed. | <ul style="list-style-type: none"> • An error notification (message) is displayed. Check the displayed message and contact the system administrator. • Images from cameras may not sometimes be displayed when receiving MPEG-4 images via the Internet. Check the settings of the router or other network devices. Contact the network administrator. • Check the following settings of both the decoder and the network cameras. <ul style="list-style-type: none"> • IP address • Subnet mask • Default gateway | - |

Specifications

● Network Video Decoder

| | |
|---------------------------|--|
| Power source: | 12 V DC 1.4 A (using the supplied AC adapter) |
| Power consumption: | Approx. 17 W |
| Ambient temperature: | -10 °C to +50 °C {14 °F to 122 °F}*1 |
| Ambient humidity: | Less than 90 % |
| Video output connectors: | NTSC model: HDMI x 1, 1 V [P-P]/75 Ω (BNC x 1) PAL model: HDMI x 1, 1 V [P-P]/75 Ω (BNC x 1) |
| Audio output connector: | Line level, 600 Ω, unbalanced x 1 (RCA pin jack) |
| Parallel port: | Alarm reset input x 1*2, Alarm output x 1*3, Error output x 1*3 |
| Resolution: | 640 (H) x 480 (V)/320 (H) x 240 (V)/1 280 (H) x 960 (V) selectable |
| Image compression method: | JPEG/MPEG-4 |
| Audio compression method: | G.726 |
| Protocol: | HTTP, RTP, TCP/IP, UDP/IP, DHCP, DNS, DDNS, NTP |
| Network: | 100BASE-TX, 1 000BASE-T, RJ-45 connector |
| Security: | Password |
| OS: | Microsoft® Windows Vista® Business 32-bit, Microsoft® Windows® XP Home Edition SP2, Microsoft® Windows® XP Professional SP2 |
| Browser: | Windows® Internet Explorer® 7.0, Microsoft® Internet Explorer® 6.0 SP2 |
| Dimensions: | 210 (W) x 44 (H) x 307 (D) mm {8.27" (W) x 1.73" (H) x 12.09" (D)} (excluding rubber feet and projections) |
| Weight: | Approx. 2.0 kg {4.4 lbs.} |

● AC Adapter

| | |
|--------------------------|---|
| Power Source: | 100 V AC to 240 V AC, 50 Hz/60 Hz |
| Output voltage: | 12 V DC |
| Output current capacity: | 4.58 A |
| Dimensions: | 120 mm (W) x 60 mm (H) x 35 mm (D) {4.72" (W) x 2.36" (H) x 1.38" (D)} (excluding the DC cable) |
| Weight: | 0.35 kg {0.77 lbs.} |

*1 When using this product without turning the power off

*2 Non-voltage make contact input, 50 kΩ +5 V DC pull-up

*3 Open Collector output, +24 V, 100 mA maximum

Standard Accessories

| | |
|------------------------------------|-------|
| CD-ROM* | 1 pc. |
| Operating Instructions (this book) | 1 pc. |
| Warranty card (NTSC model only) | 1 pc. |

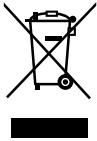
* The CD-ROM contains the operating instructions (PDFs and the software).

The following are for installation.

| | |
|-------------|-------|
| AC adapter* | 1 pc. |
| Code label | 1 pc. |
| Power cord* | 1 pc. |

* Use the power cord that is suited to your locality.

Information on Disposal for Users of Waste Electrical & Electronic Equipment (private households)



This symbol on the products and/or accompanying documents means that used electrical and electronic products should not be mixed with general household waste.

For proper treatment, recovery and recycling, please take these products to designated collection points, where they will be accepted on a free of charge basis. Alternatively, in some countries you may be able to return your products to your local retailer upon the purchase of an equivalent new product.

Disposing of this product correctly will help to save valuable resources and prevent any potential negative effects on human health and the environment which could otherwise arise from inappropriate waste handling. Please contact your local authority

for further details of your nearest designated collection point.

Penalties may be applicable for incorrect disposal of this waste, in accordance with national legislation.

For business users in the European Union

If you wish to discard electrical and electronic equipment, please contact your dealer or supplier for further information.

Information on Disposal in other Countries outside the European Union

This symbol is only valid in the European Union.

If you wish to discard this product, please contact your local authorities or dealer and ask for the correct method of disposal.

For U.S., Canadian and Puerto Rican fields:

Panasonic System Solutions Company,
Unit Company of Panasonic Corporation of North America
www.panasonic.com/business/
For customer support, call 1.800.528.6747
Three Panasonic Way 2H-2, Secaucus, New Jersey 07094

Panasonic Canada Inc.
5770 Ambler Drive, Mississauga,
Ontario, L4W 2T3 Canada (905)624-5010
<http://www.panasonic.ca>

Panasonic Sales Company
Division of Panasonic Puerto Rico Inc.
San Gabriel Industrial Park 65th Infantry Ave. KM. 9.5 Carolina
P.R. 00985(809)750-4300

For European and other fields:

Matsushita Electric Industrial Co., Ltd.
Osaka, Japan
<http://panasonic.net>

Importer's name and address to follow EU rules:

Panasonic Testing Centre
Panasonic Services Europe GmbH
Winsbergring 15, 22525 Hamburg F.R.Germany