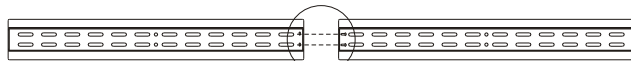
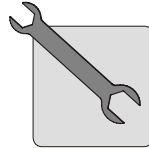
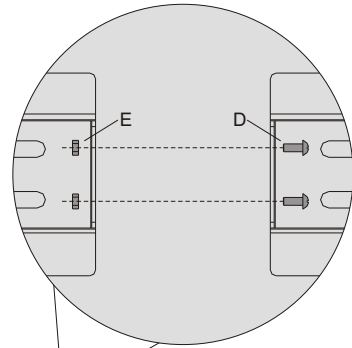
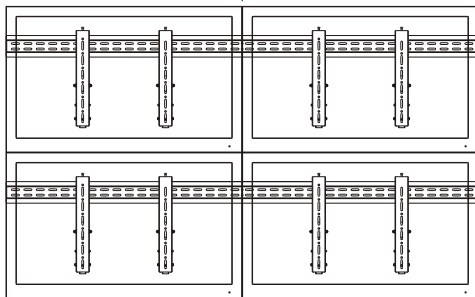
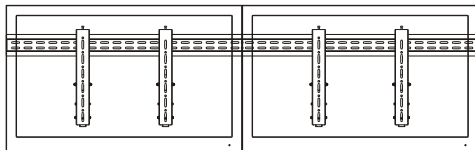




For Video Wall Installation



The Video wall can be assembled by connecting wall plates with appropriate screws and nuts. Calculate the mounts and connector kits needed for your multi-screen installation.



Maintenance

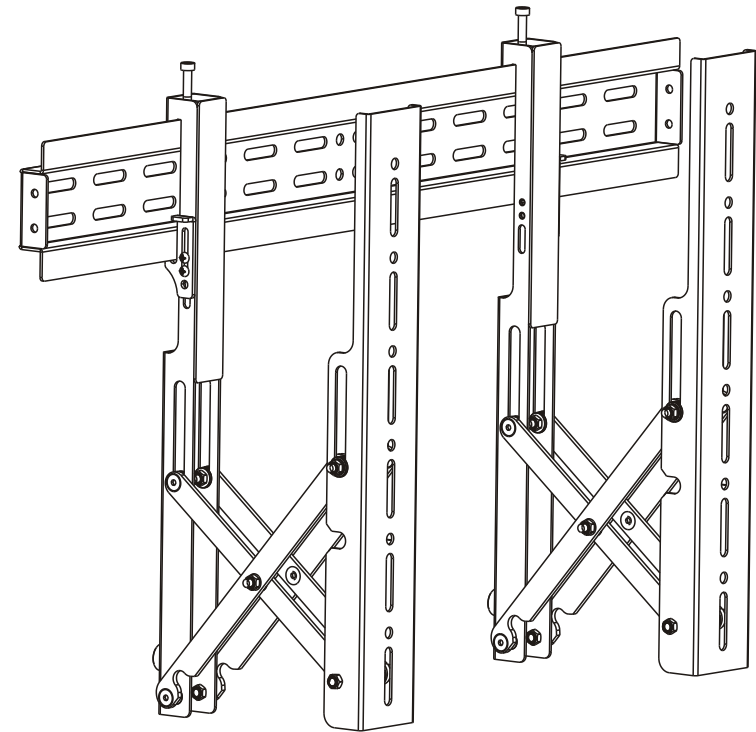
- Check that the bracket is secure and safe to use at regular intervals (at least every three months).
- Please contact your dealer if you have any questions.



Premium Mount Inc
7300 Bolsa Ave., Westminster, CA 92683 -
Phone: 714-766-6303

INSTALLATION INSTRUCTIONS

Folding Video Wall Mount



CAUTION: DO NOT EXCEED MAXIMUM LISTED WEIGHT CAPACITY. SERIOUS INJURY OR PROPERTY DAMAGE MAY OCCUR!

WBL5



400x200/300x300
400x400/600x400



ISSUED: NOV. 2012

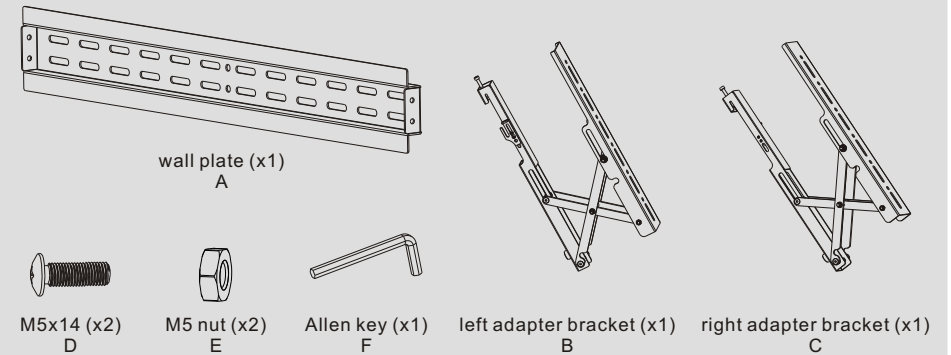
NOTE: Read the entire instruction manual before you start installation and assembly.

WARNING

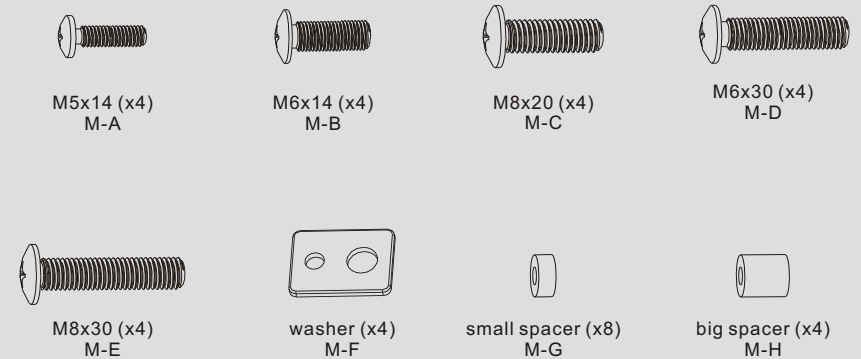
- Do not begin the installation until you have read and understood the instructions and warnings contained in this installation sheet. If you have any question regarding any of the instruction or warning, please contact your local distributor.
- This mounting bracket was designed to be installed and utilized **ONLY** as specified in this manual. Improper installation of this product may cause damage or serious injury.
- This product should only be installed by someone of good mechanical ability, with basic building experience and fully understanding of this manual.
- Make sure that the supporting surface will safely support the combined load of the equipment and all attached hardware and components.
- Always use assistant or mechanical lifting equipment to safely lift and position equipment.
- Tighten screws firmly, but do not over tighten. Over tightening can damage the items, greatly reducing their holding power.
- This product is intended for indoor use only. Using this product outdoors could lead to product failure and personal injury.

Component Checklist

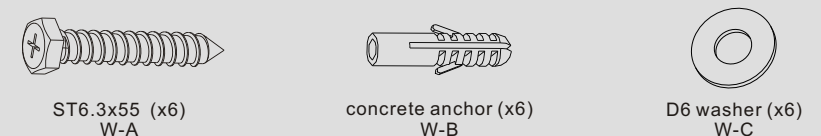
IMPORTANT: Ensure that you have received all parts according to the component checklist prior to installing. If any parts are missing or faulty, telephone your local distributor for a replacement.



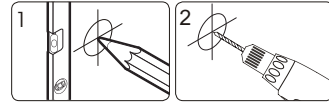
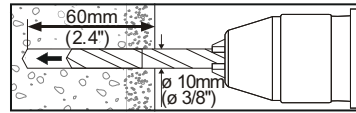
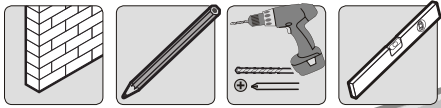
Package M



Package W

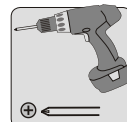
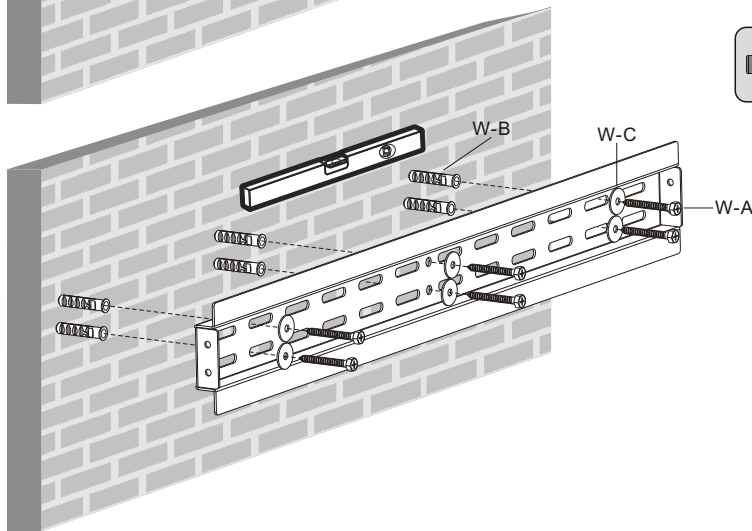
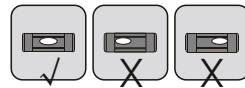
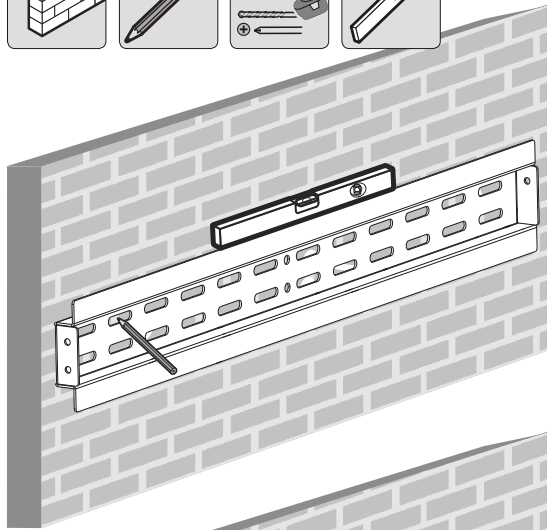


1. Mount on Solid Brick and Concrete Block



1
Mark the exact location of mounting holes

2
Drill pilot holes



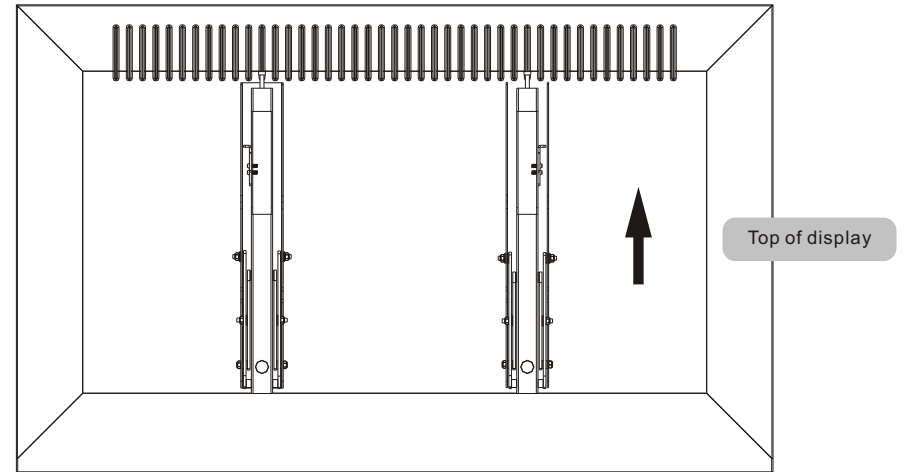
Screw the wall plate onto the wall

⚠ WARNING

• When installing wall mounts on cinder block, verify the actual concrete thickness is at least 1-3/8" (35mm) for using the concrete anchors. Do not drill into mortar joints! Be sure to mount in a solid part of the block, generally 1" (25mm) minimum from the side of the block. It is suggested electric drill on slow setting be used to drill the hole instead of a hammer drill to avoid breaking out the back of the hole when entering a void or cavity.

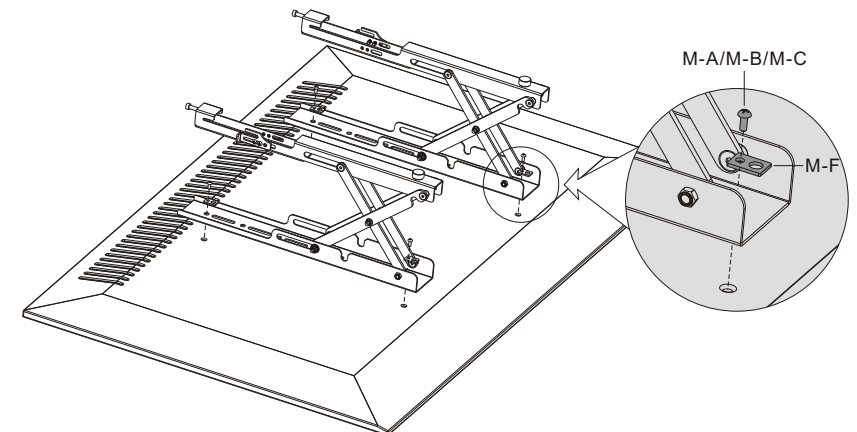
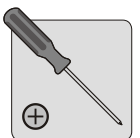
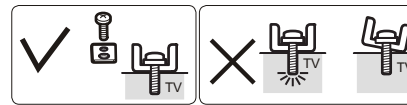
• Installers must verify that the supporting surface will safely support the combined load of the equipment and all attached hardware and components.

2. Install Adapter Brackets

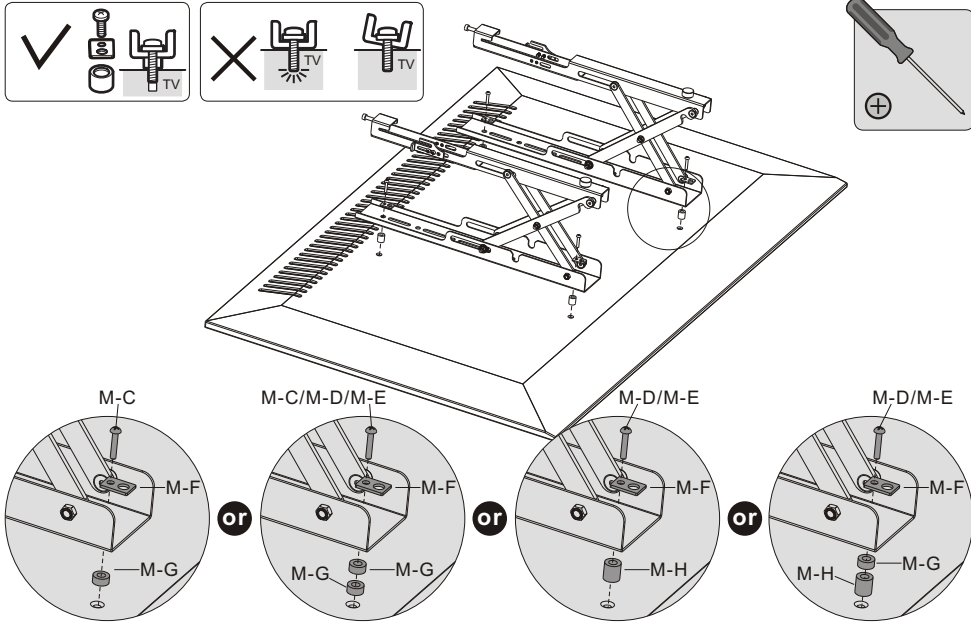


Adapter brackets should be pulled out to the extended position in order to install screws through proper holes.

2-1 For Flat Back Screen



2-2. For Bump-out or Recessed Back Screen

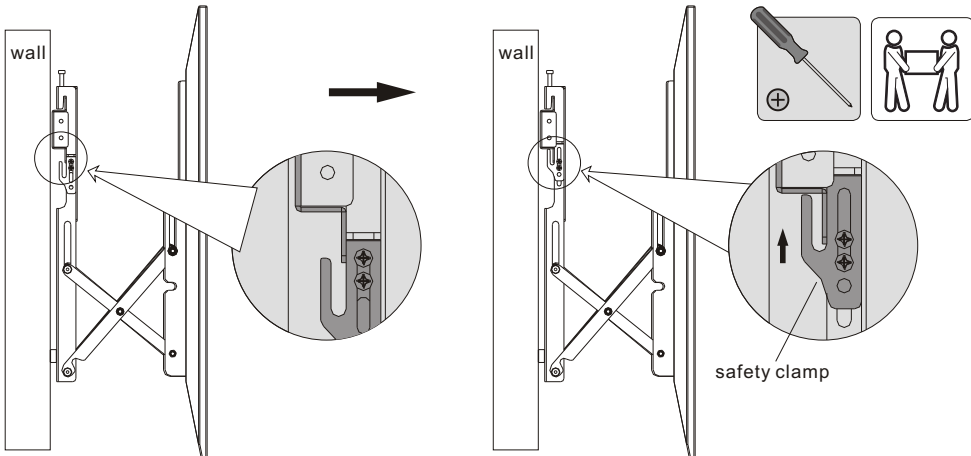


Note: Choose appropriate screws, washers and spacers (if necessary) according to the type of screen.

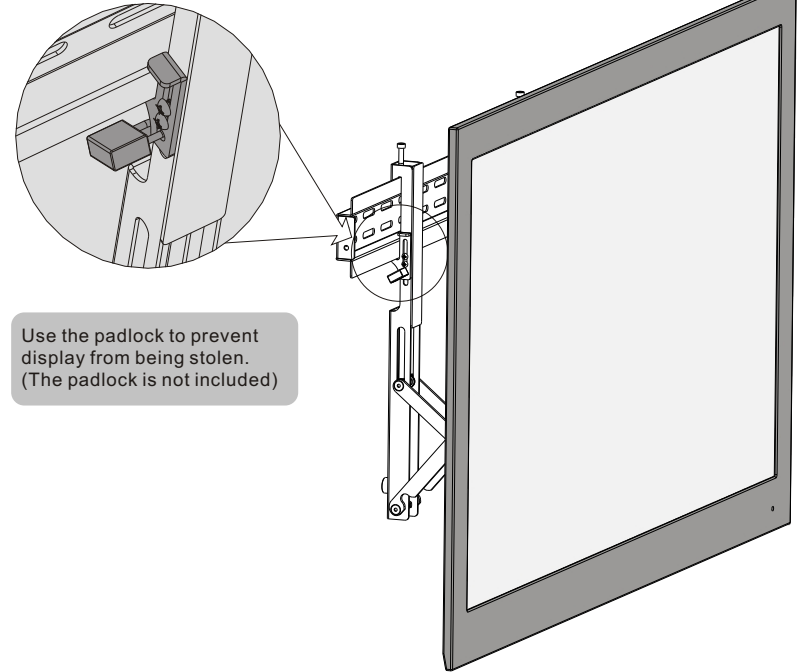
- Position the adapter brackets as close as possible to the center of the display.
- Screw the adapter brackets onto the display.

! Tighten all screws but do not over tighten.

3. Hang Display onto the Wall Plate



Hang top hook of adapter brackets onto the top wall plate rail. Push the safety clamps upward and tighten screws to secure the bracket.



4. Level Adjustment

