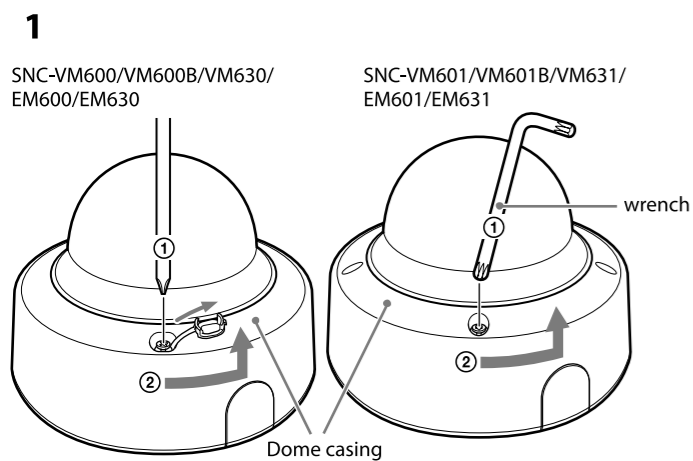
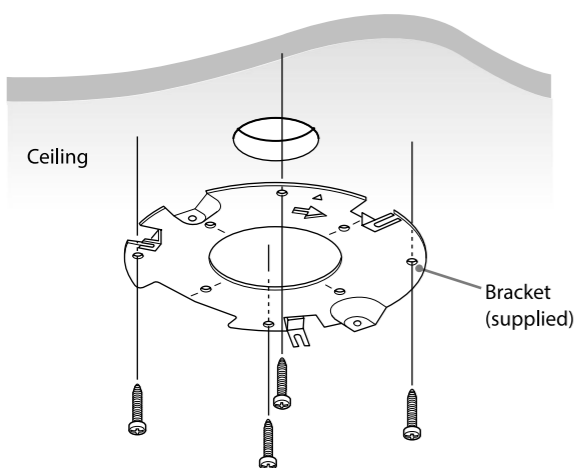




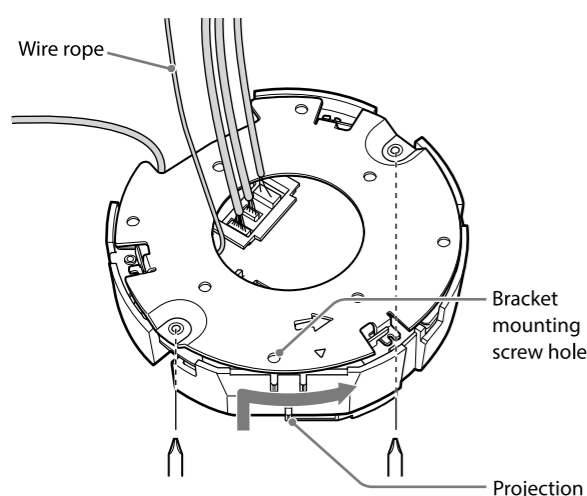
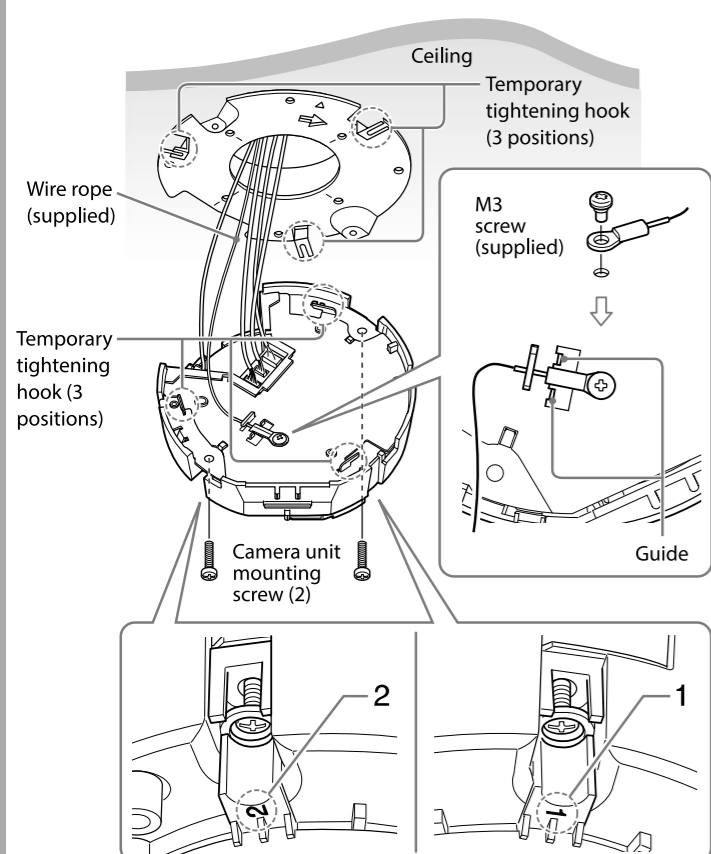
E



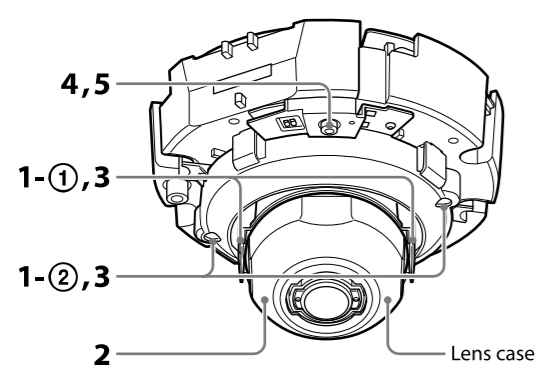
2



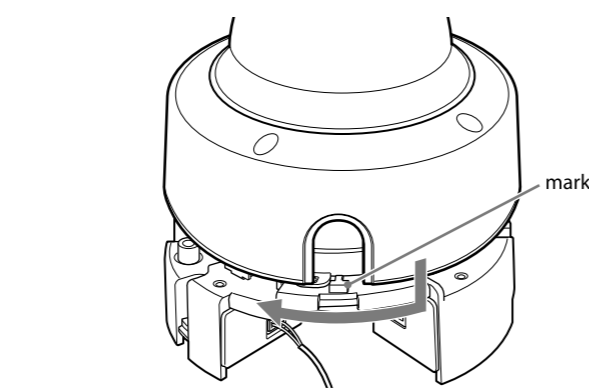
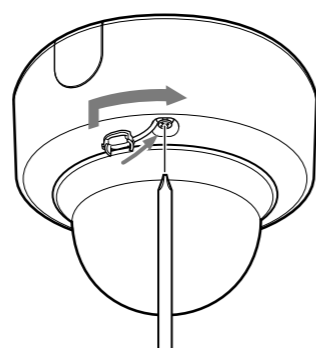
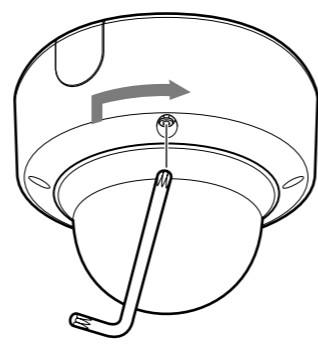
3, 4



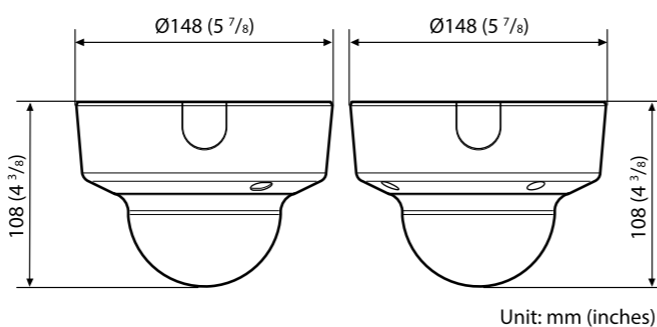
F



G

SNC-VM600/VM600B/VM630/  
EM600/EM630SNC-VM601/VM601B/VM631/  
EM601/EM631

H

SNC-VM600/VM600B/VM630/  
EM600/EM630SNC-VM601/VM601B/VM631/  
EM601/EM631

## Installing the Camera

E

### 1 Remove the dome casing.

SNC-VM600/VM600B/VM630/EM600/EM630

- Pull out the screw cover and loosen the screw with a screwdriver.
- Turn the dome casing anticlockwise, and remove it from the camera unit. When the screw catches on the screw hole, pull up the screw.

SNC-VM601/VM601B/VM631/EM601/EM631

- Loosen the screw with the wrench (supplied).
- Turn the dome casing anticlockwise, and remove it from the camera unit. When the screw catches on the screw hole, pull up the screw.

### 2 Install the supplied bracket on the ceiling or wall.

Refer to "Mounting screws" for screws to be used.

### 3 Fix the supplied wire rope to the camera unit and the ceiling or wall.

- Fix the wire rope with the supplied M3 screw to the hole for the wire rope on the bottom of the camera unit. Pass the wire rope between the wire rope guides.
- Fix the wire rope to the ceiling or wall.

### 4 Attach the camera unit to the bracket.

- Align the projection on the top and bottom of the camera's card slot with the bracket mounting screw hole on the bracket.
- Turn the camera unit lightly in the direction of the arrow (clockwise rotation), then lock the temporary tightening hook of the camera (3 positions).
- Turn the camera in the rotational direction until it completely stops and tighten the camera unit mounting screws in the order of 1, then 2.

### Notes

- Be sure to tighten the camera unit mounting screws in the order of 1, then 2. Otherwise, the camera unit may not be secure and could fall.
- If you cannot use screws on a ceiling or wall, or if you want to make the camera less conspicuous, use the YT-ICB600 in-ceiling bracket (optional) with which you can mount the camera on the ceiling. When you install the camera with the in-ceiling bracket, tighten the fixing screw on the side brackets to the **D** position. Refer to the in-ceiling bracket Installation Instructions for details.

## Adjusting the Camera Direction and Coverage

F

You can adjust all pan, tilt and rotation positions. There is no screw for rotation position.

Turn the lens case to rotate the camera.

You can invert the image by using the setting menu.

### 1 Loosen the camera head fixing screw.

- Loosen the tilt screws (2 positions).
- Loosen the pan screws (2 positions).

### 2 Adjust the camera to turn the lens in the desired direction.

### 3 Tighten the camera head fixing screw to fix the camera. (4 positions)

### 4 Slide the ZOOM/FOCUS switch to W/T to adjust the zoom.

### 5 Hold down the ZOOM/FOCUS switch for a moment to automatically adjust the focus.

### 6 Repeat steps 1 to 5 until the coverage and the focus are determined.

### Notes

- When you adjust the camera head angle without loosening camera head fixing screw, an internal part may be damaged.
- Be sure to turn off the setting of superimposing when adjusting the focus.

- If you cannot achieve satisfactory focus with holding down the ZOOM/FOCUS switch due to the shooting environment, slide the ZOOM/FOCUS switch level to N/F to focus manually.
- Poor focus may also be caused by the dome case assembly. Readjust the focus using the system menu. For details, refer to the User's Guide of the equipment.

### Notes

- When the dome casing is attached it may be visible in the monitor depending on zoom and rotation. Also, distortion might be observed in images shot outside the specified optical area.
- Do not turn the tilt screw more than 360 degrees and pan screw more than 2-3 turns, as they may become loose and fall out.

## Attaching the Dome Casing

G

- Align the notch on the dome casing with the convex part on the rear of the camera unit, then turn the dome casing in the direction of the arrow.
- Secure the screw. Only the SNC-VM600/VM600B/VM630/EM600/EM630 cover should be attached.
- Remove the protecting film on the dome cover.

## Connection

### Connecting to the Network

Connect the LAN connector of the camera to a PoE\* supported device (such as a hub) using the network cable (straight, not supplied). The electrical power is supplied through the network cable. For details, refer to the instruction manuals of the PoE supported devices.  
(\* PoE: The acronym for Power over Ethernet. IEEE 802.3af standard compliant devices.)

### SNC-VM600/VM600B/VM630/VM601/VM601B/VM631

It is also possible to connect the LAN port of the camera to a router or hub in the network using a network cable (not supplied).

### Connecting the Power Source

The camera can be powered in the following ways.

- 12 V DC or 24 V AC (Either voltage supported by SNC-VM600/VM600B/VM630/VM601/VM601B/VM631 only.)
- Power supply equipment pursuant to IEEE802.3af (PoE\* system)

\*PoE means Power over Ethernet.

### Note

- Do not turn off the camera immediately after turning it on. Wait for at least five minutes before turning off the camera.
- Do not connect the power input cable if power is supplied by a PoE system.

### Connecting to the power supply equipment pursuant to IEEE802.3af

The power supply equipment pursuant to IEEE802.3af supplies the power through the network cable. For details, refer to the Instruction Manual of the equipment.

### Connecting to 12 V DC or 24 V AC source

Connect the power input cable of the camera to a 12 V DC or 24 V AC source. Use a 12 V DC or 24 V AC source isolated from 100 to 240 V AC. Each usable voltage ranges are as follows.

12 V DC: 10.8 V to 13.2 V

24 V AC: 19.2 V to 28.8 V

- In the USA, The product shall be powered by a UL Listed Class 2 Power Supply Only.

- In Canada, The product shall be powered by a CSA certified Class 2 Power Supply Only

- Use UL cable (VW-1 style 10368) for these connections.

### Recommended cable

DC 12 V:

CABLE(AWG)	#24	#22	#20
Max. length(m)	9	15	23

AC 24 V:

CABLE(AWG)	#24	#22	#20
Max. length(m)	37	63	92

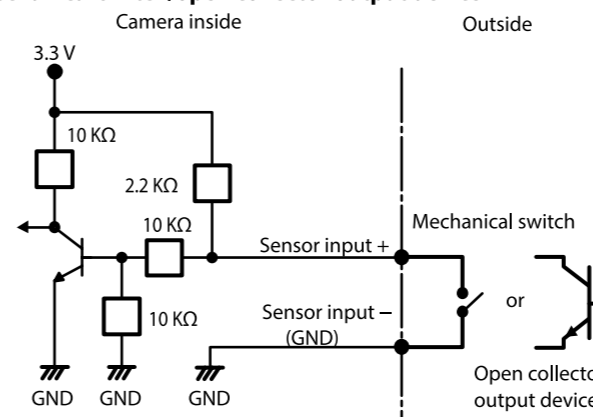
## Connecting the I/O Cable

Compatible models: SNC-VM600/VM600B/VM630/VM601/VM601B/VM631

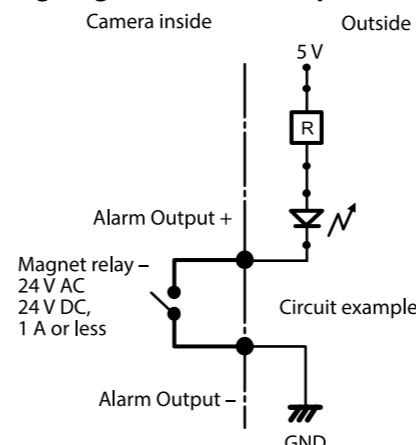
Connect the wires of the I/O cable as follows:

### Wiring diagram for sensor input

### Mechanical switch/open collector output device



### Wiring diagram for alarm output



## Specifications

### Compression

Video compression format	JPEG/H.264
Audio compression format	G.711/G.726/AAC
Maximum frame rate	SNC-VM600/VM601/VM630/VM631 60 fps SNC-VM600B/VM601B/EM600/EM630/EM601/EM631 30 fps

### Camera

Signal system	NTSC color system/PAL color system (switchable)
Image device	SNC-VM600/VM600B/VM601/VM601B/EM600/EM601 1/3type CMOS (Exmor) Effective picture elements: Approx. 1,370,000 SNC-VM630/VM631/EM630/EM631 1/2.9type CMOS (Exmor) Effective picture elements: Approx. 2,140,000
Synchronization	Internal synchronization
Horizontal resolution	SNC-VM600/VM600B/VM601/VM601B: 600 TV lines (analog video) SNC-VM630/VM631: 700 TV lines (monitor display ratio 4:3)
Video S/N	More than 50 dB (Auto gain control maximum rate 0 dB)
Minimum illumination	F1.2/View-DR Off/VE* Off/Auto gain control maximum rate MAX/50 IRE (IP)/30 fps SNC-VM600/VM600B/VM601/VM601B/EM600/EM601 Color: 0.05 lx Black & White: 0.04 lx SNC-VM630/VM631/EM630/EM631 Color: 0.10 lx Black & White: 0.07 lx

\* VE stands for Visibility Enhancer.

### Lens

Focal length	3.0 mm to 9.0 mm
Maximum relative aperture	F1.2 to F2.1
View angle	SNC-VM600/VM600B/VM601/VM601B/EM600/EM601: 1280 × 1024 (aspect ratio 5:4) Vertical: 73.1° to 25.5° Horizontal: 92.9° to 31.8° SNC-VM630/VM631/EM630/EM631: 1920 × 1080 (aspect ratio 16:9) Vertical: 56.9° to 20.1° Horizontal: 105.3° to 35.6° Pan: -192° to +192° Tilt: -7° to +75° Rotation: -99° to +99°
Minimum object distance	300 mm

### Interface (SNC-VM600/VM600B/VM630/VM601/VM601B/VM631)

LAN port (PoE) 10BASE-T/100BASE-TX, auto negotiation (RJ-45)  
I/O port Sensor input: × 2, make contact, break contact  
Alarm output: × 2, 24 V AC/DC, 1 A (mechanical relay outputs electrically isolated from the camera)

SD memory card slot

Video output VIDEO OUT: BNC, 1.0 Vp-p, 75 ohms, unbalanced, sync negative  
Microphone input\* Minijack (monaural)  
Plug-in-power supported (rated voltage: 2.5 V DC)  
Recommended load impedance: 2.2 kΩ  
Minijack (monaural)  
\* The microphone input and the line input are switchable with operating menu.  
Line output Minijack (monaural), Maximum output level: 1 Vrms

### Interface (SNC-EM600/EM630/EM601/EM631)

LAN port (PoE) 10BASE-T/100BASE-TX, auto negotiation (RJ-45)

### Others

Power supply	IEEE802.3af compliant (PoE system) SNC-VM600/VM600B/VM630/VM601/VM601B/VM631: 12 V DC ±10%, 24 V AC ±20% 50 Hz/60 Hz
Power consumption	SNC-VM600/VM600B/VM630/VM601/VM601B/VM631: 6.0 W max. SNC-EM600/EM630/EM601/EM631: 5.0 W max.
Operating temperature	Start temperature: 0°C to 50°C (32°F to 122°F) Working temperature: -10°C to +50°C (14°F to 122°F)
Storage temperature	-20°C to +60°C (-4°F to +140°F)
Operating humidity	20% to 80%
Storage humidity	20% to 95%
Dimensions (diameter/height)	148 mm × 108 mm (5 7/8 inches × 4 3/8 inches)

Mass SNC-VM600/VM600B/VM630/EM600/EM630: Approx. 760 g (1 lb 8.7 oz), not including the cables and bracket  
SNC-VM601/VM601B/VM631/EM601/EM631: Approx. 800 g (1 lb 12 oz), not including the cables and bracket

Supplied accessories All models: CD-ROM (supplied programs) (1), Bracket (1), Template (1), Wire rope (1), Camera unit mounting screw M3 (1), Safety Regulations, Installation Manual (this document) (1 set)  
SNC-VM601/VM601B/VM631/EM601/EM631: Wrench (1)  
SNC-VM600/VM600B/VM630/VM601/VM601B/VM631: Audio cable (1), I/O cable (1), BNC cable (1), Power input cable (1)

### Optional accessory

In-ceiling bracket YT-ICB600\*

\* Using the fixture position **D** on the bracket.

Dome Cover Smoked

SNC-VM600/VM600B/VM630/EM600/EM630: YT-LD600S

SNC-VM601/VM601B/VM631/EM601/EM631: YT-LD601S

Design and specifications are subject to change without notice.

### Recommendation of Periodic Inspections

In case using this device over an extended period of time, please have it inspected periodically for safe use. It may appear flawless, but the components may have deteriorated over time, which may cause a malfunction or accident. For details, please consult the store of purchase or an authorized Sony dealer.