

The logo for Brickcom, featuring the word "Brickcom" in a bold, white, sans-serif font. The logo is positioned in the upper left corner of a black rectangular area that also contains a diagonal grey gradient element.


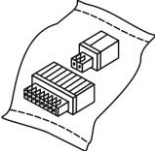
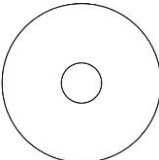



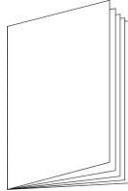
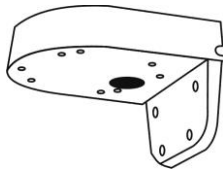
Easy Installation Guide

Megapixel Day & Night
Fixed Dome Network Camera


Fixed Dome Series

English

Step 1. Check Package Contents

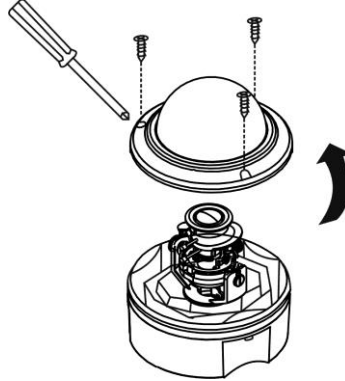
<p>a. Network Camera (Fixed Dome series)</p> 	<p>b. Terminal Block</p> 
<p>c. Product CD</p> 	<p>d. Location Sticker</p> 
<p>e. Warranty Card</p> 	<p>f. Screw bag</p> 
<p>g. Easy Installation Guide</p> 	<p>h. L-WM-01(Optional)</p> 

Step 2 .Hardware Installation

 **WARNING** - Do not mount the camera on a soft material. The camera may fall and be damaged.

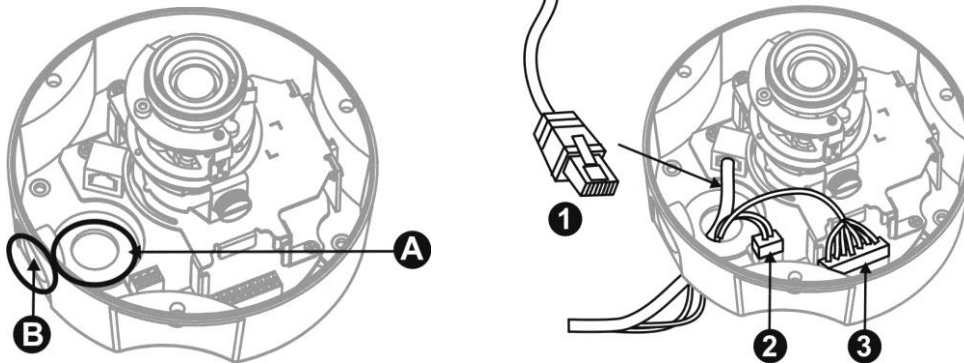
 This document is for easy installation purpose only; please refer to the user manual for more details.

1. Remove the dome cover from the camera device.

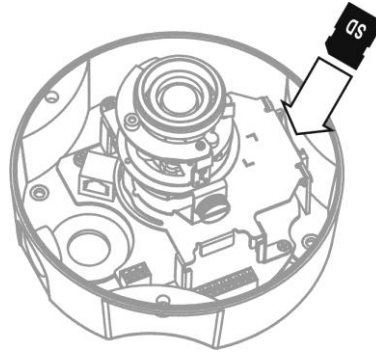


I.PoE, Power, DIDO, Audio Connection

- 1) Insert the PoE(1) / DC12V(2), DIDO and Audio cable(3) through conduit hole A or B.



II. For SD/SDHC card (*) installation:

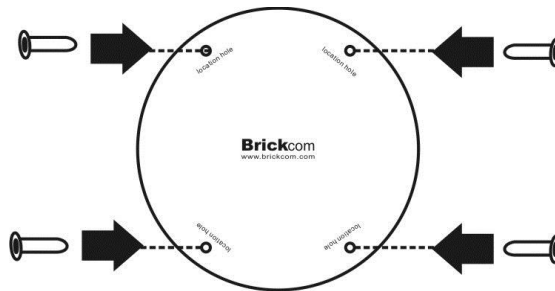


2. For wall installation:

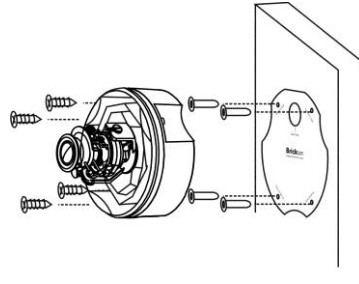
- 1) Choose the location on the wall to place the camera. Attach the location sticker to the desired spot.
- 2) Drill four holes through the center of the four location holes on the sticker.



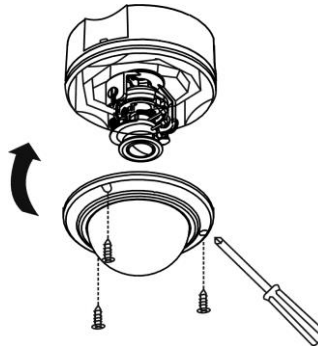
- 3) Hammer the four plastic anchors which are provided in the product package into the four location holes.



- 4) Mount the camera on the wall and position to four screw slots over the plastic anchors. Insert the screws into the holes and use the screwdriver to tighten the screws clockwise until they are secure.

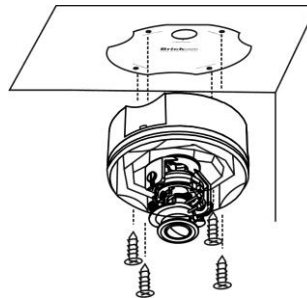


- 5) Place the dome cover back on the camera device.



3. For ceiling installation:

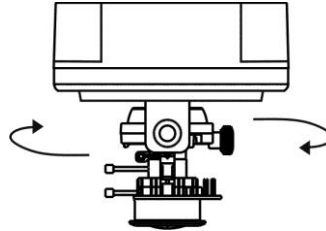
The user needs the four screws which are included in the product package and a screwdriver. Mount the camera on the desired location and use the screwdriver to tighten the screws clockwise through the four holes on each side of the device as shown below. The best place to mount the camera is into a ceiling stud.



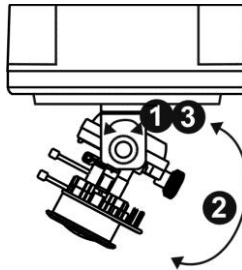
4. Adjust the Lens Focus Range and Zoom Viewing (This function applies to all FD series, except the FD-***Af series.)

I. How to adjust the Lens angle?

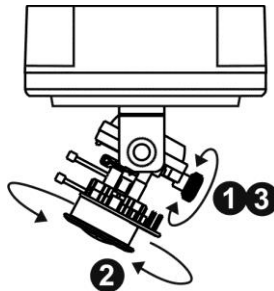
- 1) Release the pan screw and then rotate the lens to left or right. After completion, tighten the pan screw.



- 2) Release the tilt screw on both side of the device and then rotate the lens to up or down. After completion, tighten the tilt screw.

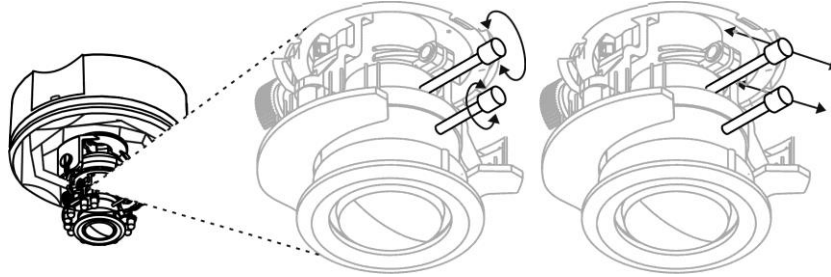


- 3) Release the video adjustment screw and then adjust the lens direction. After completion, tighten the video adjustment screw.



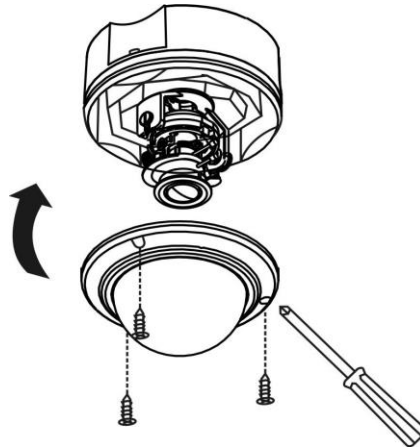
II. How to adjust the view angle and focus range

- 1) Release the view angle controller and then moving the controller bar left or right to adjust the view angle. After completion, tighten the view angle controller.
- 2) Release the focus controller and then moving the controller bar left or right to adjust the focus range. After completion, tighten the focus controller.



5. Complete the Installation

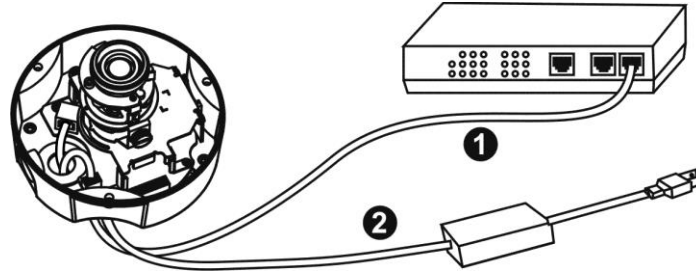
- 1) Turn the visible dome cover slowly until it gets the best position.
- 2) Use the screwdriver and attached four dome screws to secure the dome cover to the camera device.



Step 3. Install Camera and Network Devices

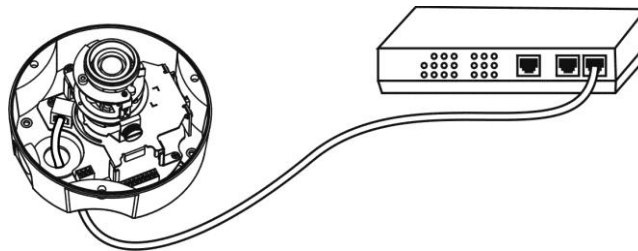
I. Basic Connection (Without PoE)

- 1) Connect the power adaptor to the camera device.
- 2) Connect the camera to the Ethernet hub using a RJ45 Ethernet cable.

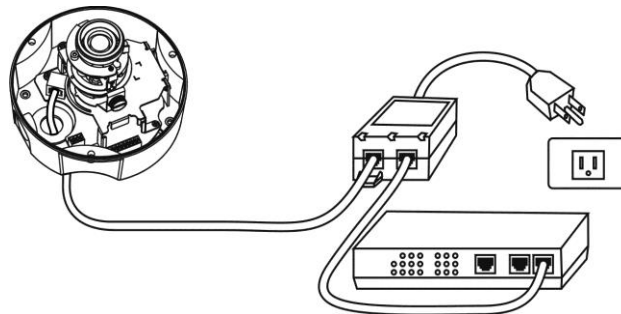


II. Power over Ethernet (PoE) Connection

- 1) Connect the camera to a PoE-enabled hub via single Ethernet cable.



- 2) Connect the camera to a non-PoE hub via PoE Injector.



Step 4. Install the EasyConfig Software

Insert the CD into the CD-ROM, and follow the instructions of the InstallShield Wizard to finish installation.



Step 5. Launch EasyConfig

Launch the EasyConfig software, and click on the camera from the survey list to connect.



Follow the EasyConfig software to configure the camera's IP address and EasyLink™ settings.



Step 6. Installation Completed

Click <Live View> to view the live video feed of the network camera.

